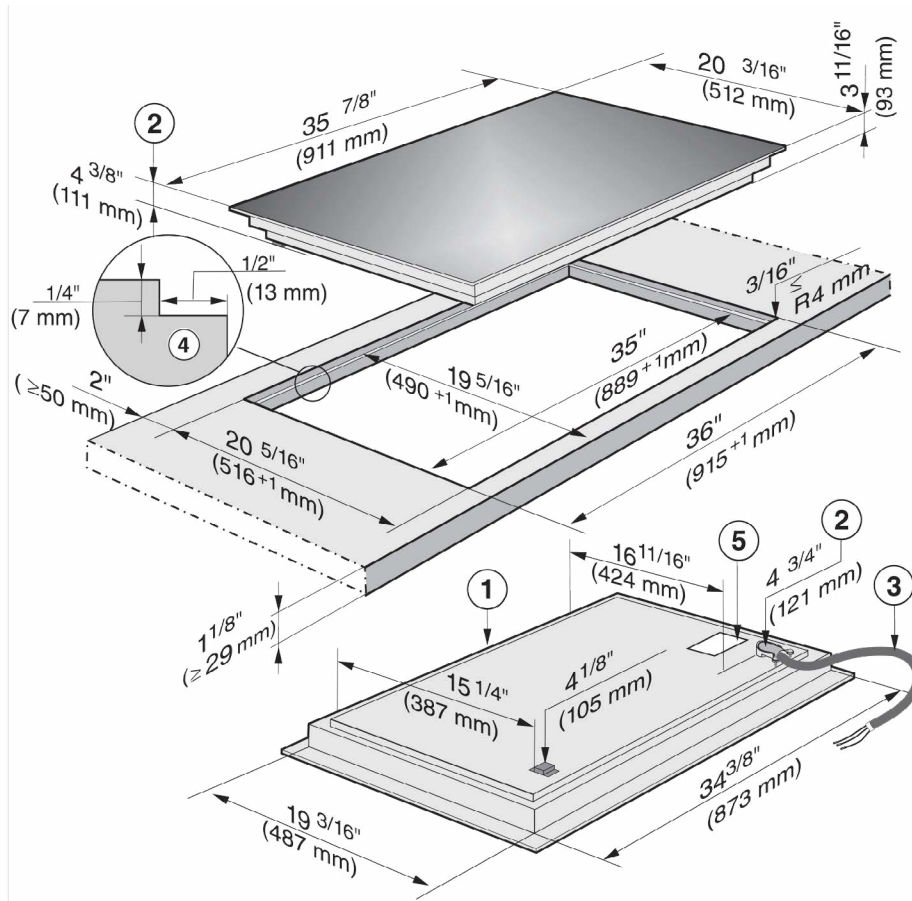


# 36" Flush-Mounted Induction Cooktop

**KM 6375**



## INSTALLATION DIMENSIONS



- ① Front
- ② Installation height
- ③ Flexible metal hose with power cord, L = 3' 11 1/4" (1200 mm)
- ④ Data plate

**Cut-out dimensions for granite or marble counters. Please take careful note of the diagram.**

This unit must only be flush mounted! Proud mounting of unit may damage the unit and will void warranty.

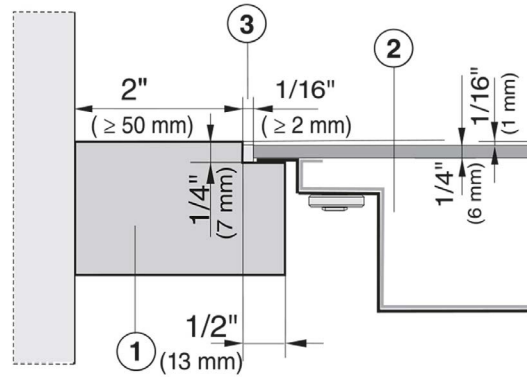
# 36" Flush-Mounted Induction Cooktop



**KM 6375**

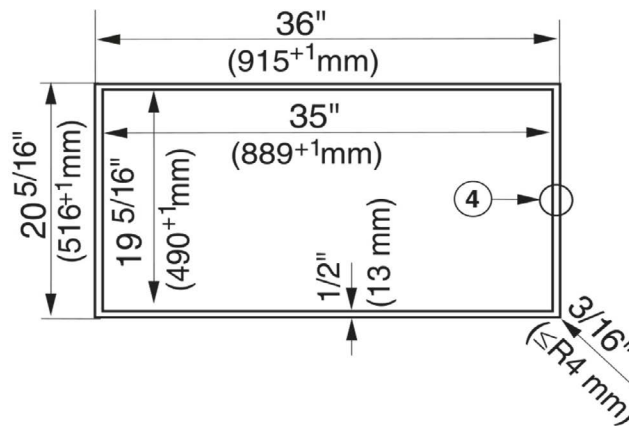
## INSTALLATION SAFETY CLEARANCE

Front Side View Of Flush Mount  
Installation With Granite, Marble,  
Or Solid Surface Countertops



- ① Countertop
- ② Cooktop
- ③ Gap

As the ceramic glass slab and the counter cut-out have a certain dimensional tolerance, the width of the gap ③ (min. 1/16" [2 mm]) can vary.



- ④ Stepped cut-out

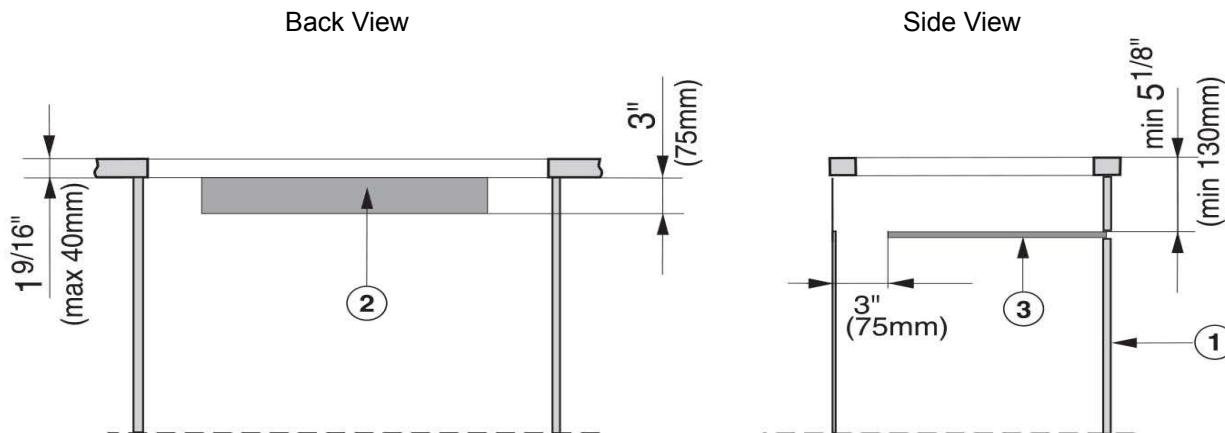
# 36" Flush-Mounted Induction Cooktop

## KM 6375



### INSTALLATION

#### Ventilations

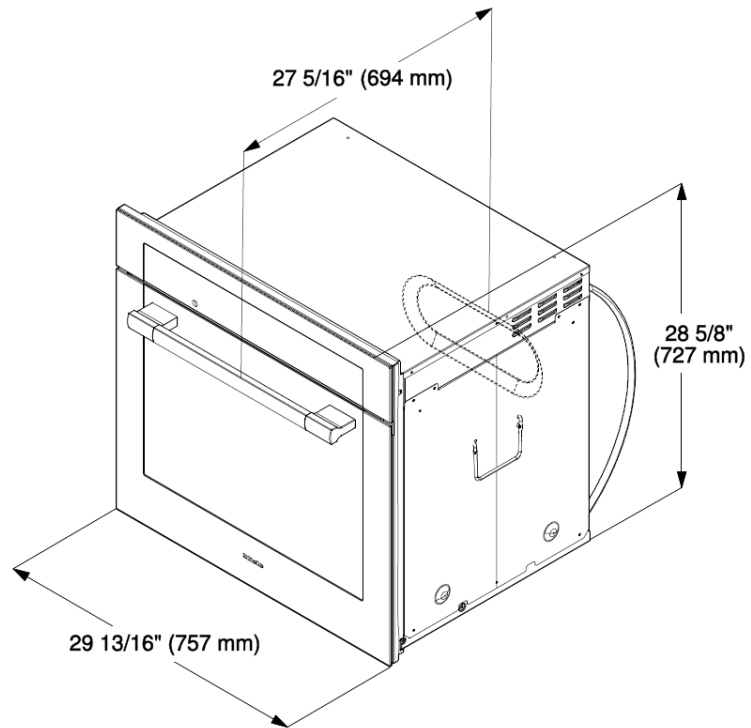


- ① Front of cooktop
- ② Cut-out in cabinet for ventilation.  
Shown as an example in the rear wall of the cabinet.
- ③ Protective base  
Installation of a protective base under the cooktop is allowed but not required. If a protective base is fitted, there must be a clearance of at least  $5\frac{1}{8}$ " (130 mm) between the top of the protective base and the top of the countertop, for proper ventilation of the cooktop.  
At the back there has to be a gap of 3" (75 mm) for the power cord.

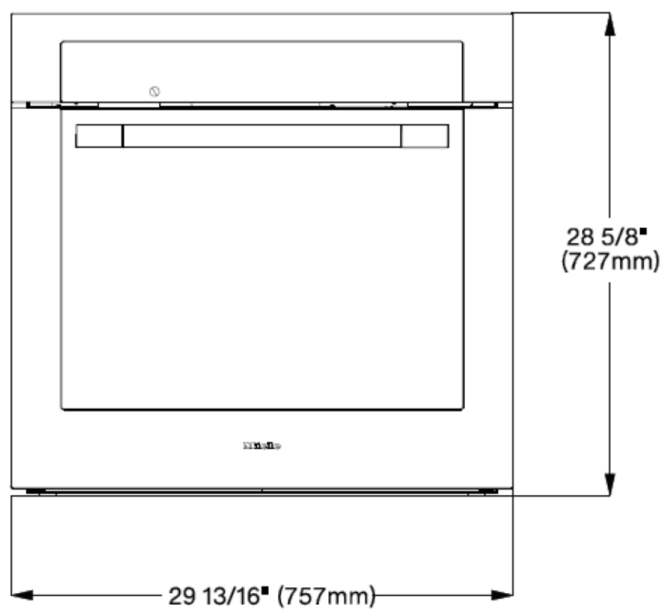
Cooktop	Measurements cut-out
KM 6370 / KM 6375	90 sq-in. Example: 30" x 3" (762 x 75mm)

PRODUCT VIEWS

Isometric



Front



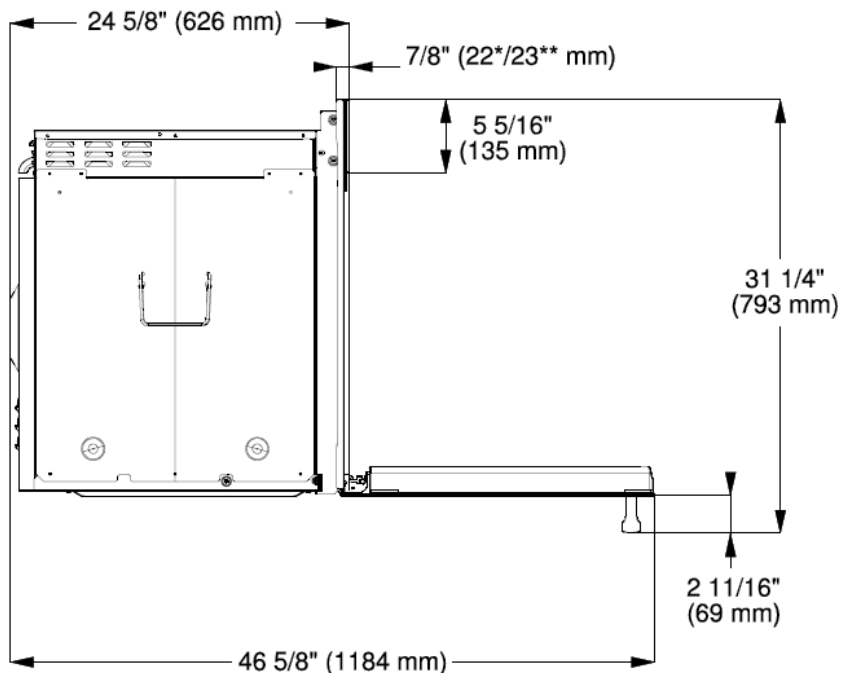
# PureLine 30" Convection Oven

**H 6680 BP**



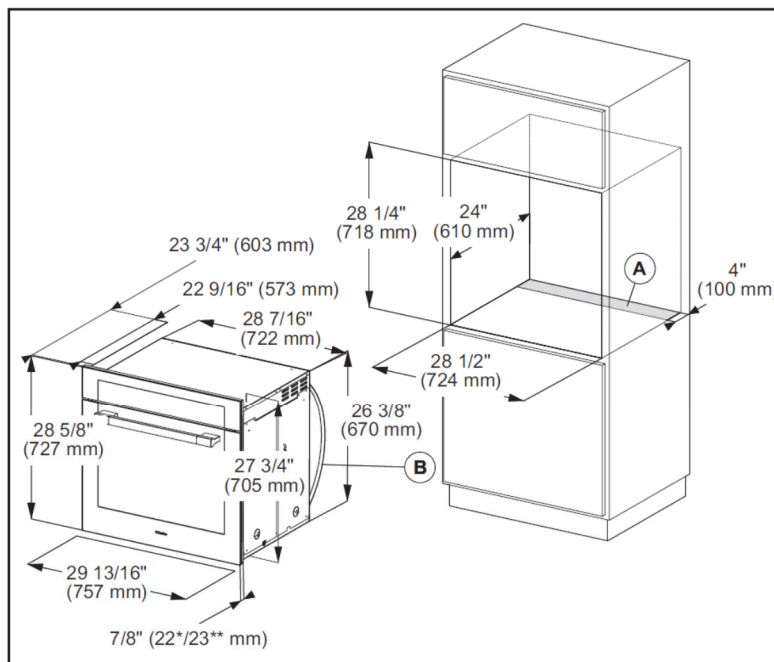
## PRODUCT VIEWS

Side View



## INSTALLATION SPECIFICATIONS

Install in Tall Cabinet



- Ⓐ Cut-out (4" x 28" / 100 mm x 720 mm) in the bottom of the cabinet for power cord and ventilation
- Ⓑ Power cord with plug
- \* Oven with glass front
- \*\* Oven with metal front

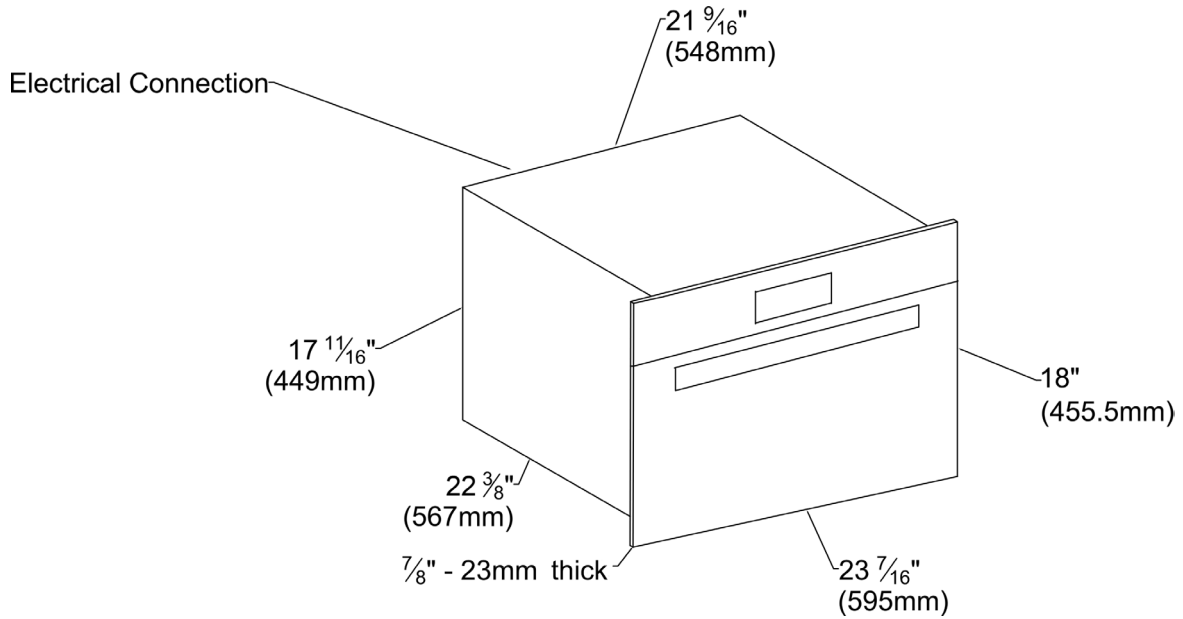
# PureLine Plumbed Combi-Steam Oven



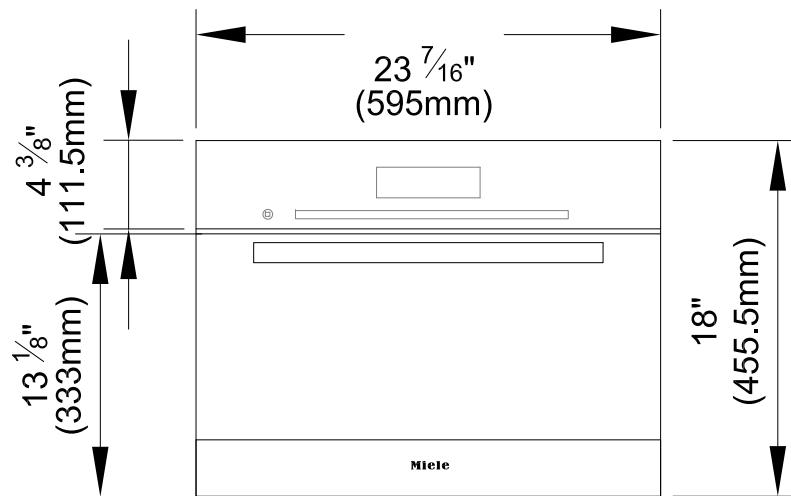
## DGC 6805-1 XL

### PRODUCT VIEWS

Isometric View



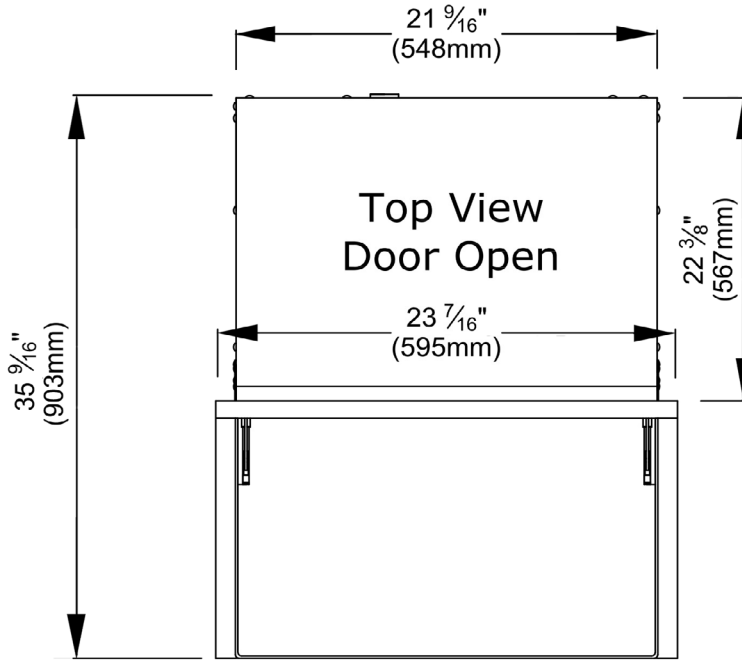
Front View



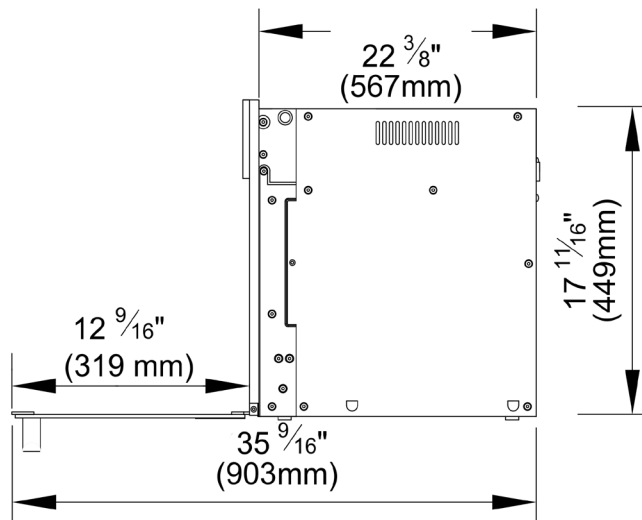
DGC 6805-1 XL

INSTALLATION SPECIFICATIONS

Top View, Door Open



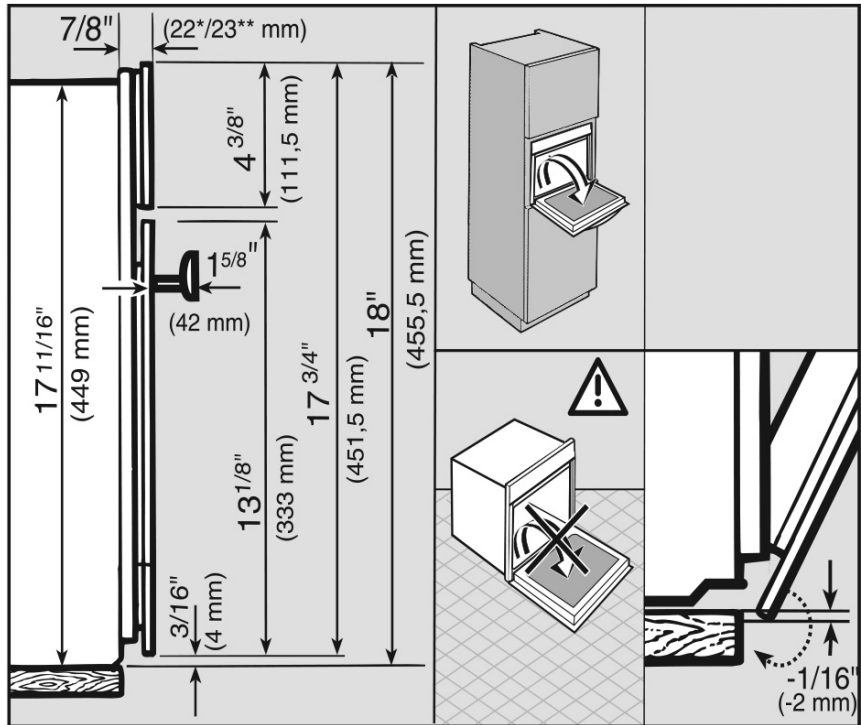
Side View, Door Open



## DGC 6805-1 XL

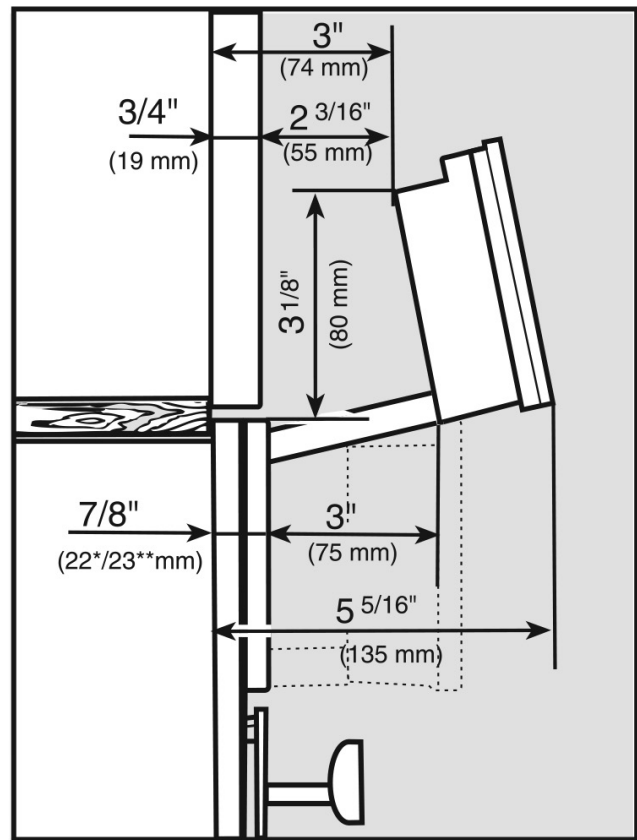
### INSTALLATION SPECIFICATIONS

Door Swing and Face Detail



\* Appliances with glass front  
 \*\* Appliances with metal front

Control Panel Swivel View

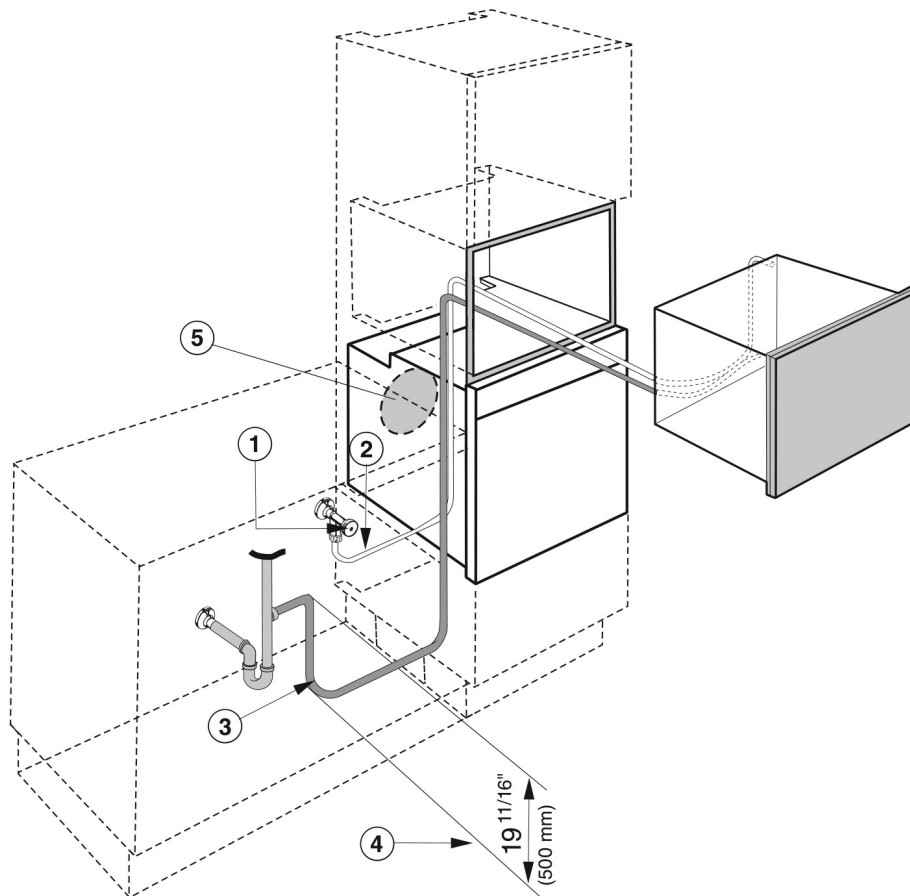


\* Appliances with glass front  
 \*\* Appliances with metal front



### INSTALLATION SPECIFICATIONS

#### Water Intake / Drain Connection



- ① Water supply valve (cold water connection)
- ② Water intake hose, L = 9' 10 1/8" (3,000 mm)
- ③ Drain hose, L = 9' 10 1/8" (3,000 mm)
- ④ The top end of the drain hose to the inlet of the odor trap must not be higher than 19 11/16" (500 mm).
- ⑤ Air intake grilles

Incorrectly laid water hoses can damage the steam oven.  
 Important: If the appliance is installed in conjunction with an oven, ensure that the water intake and drain hoses are not trapped behind its opening.

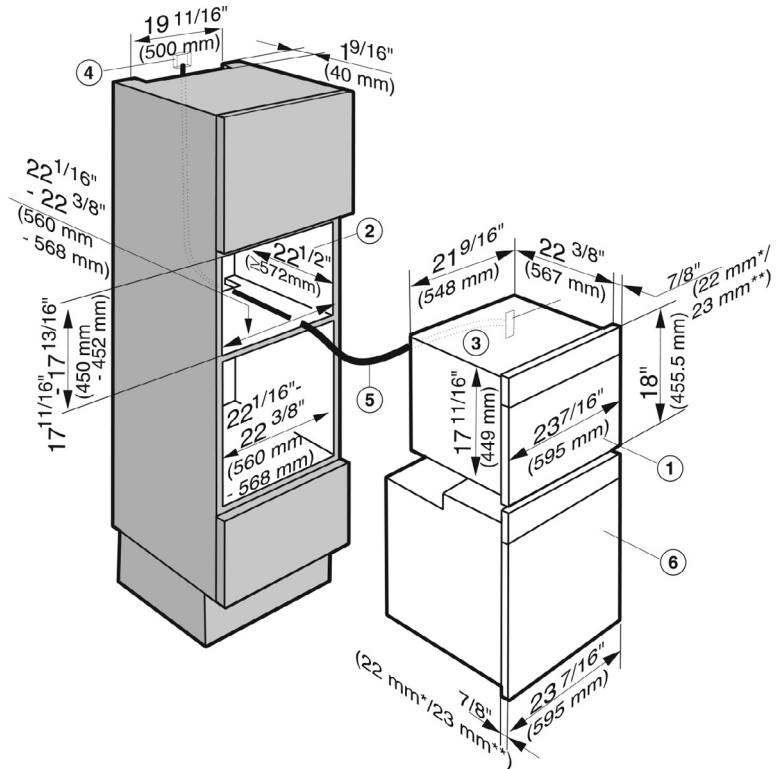
# PureLine Plumbed Combi-Steam Oven

## DGC 6805-1 XL



### INSTALLATION SPECIFICATIONS

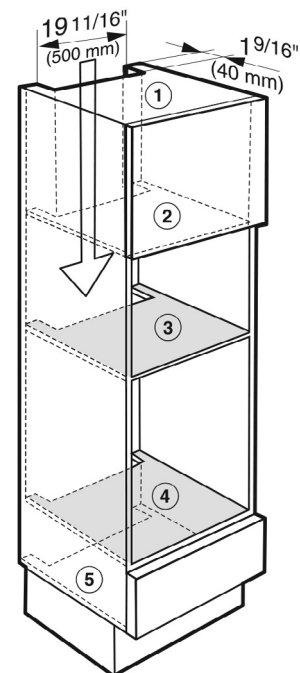
#### Installation Above 24" Oven



- ① Steam oven
- ② Niche
- ③ Pass-through for the power cord
- ④ Recommended position for electrical connection
- ⑤ Power cord
- ⑥ Oven

\* Glass front / \*\* Metal front

#### Installation Above 24" Oven — cut-outs for venting the appliances and routing of the water hoses



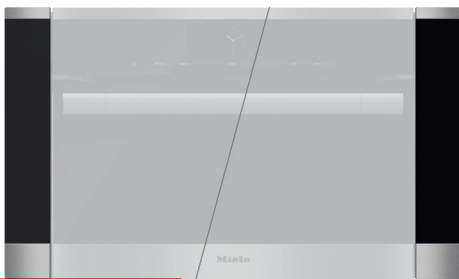
For the oven ventilation cut-out, please see the information in the oven installation instructions.

- ① Cut-out in top of unit (for ventilation)
- ② Cut-out in the interim shelf above the installation niche (for ventilation)
- ③ Cut-out in the interim shelf below the installation niche of the steam oven (for plumbing)
- ④ Cut-out in the interim shelf below the installation niche of the oven (for plumbing)
- ⑤ Cut-out in unit floor (for plumbing)

## 30" Trim Kit EBA 6708, EBA 6808



EBA 6708



EBA 6808



EBA 6808 BRWS



EBA 6808 GRGR



EBA 6808 HVBR



EBA 6808 OBSW

### SPECIFICATIONS

EBA 6708 – Item 22996196USA

EBA 6808 – Item 22996197USA

EBA 6808 BRWS – Item 22996198CDN

EBA 6808 HVBR – Item 22998303USA

EBA 6808 GRGR – Item 22998305USA

EBA 6808 OBSW – Item 22998302USA

Overall Trim Kit+Oven Fascia Dimensions 29<sup>13</sup>/<sub>16</sub>" (757 mm) W x 17<sup>15</sup>/<sub>16</sub>" (455 mm) H x 7<sup>7</sup>/<sub>8</sub>" (22<sup>\*</sup>/23<sup>\*\*</sup> mm) D

#### Built-In

Minimum Opening Width 28<sup>1</sup>/<sub>2</sub>" (724 mm)

Minimum Opening Depth 24" (610 mm)

Minimum Opening Height 17<sup>11</sup>/<sub>16</sub>" (450 mm)

#### Shipping

Shipping Weight 7 lbs (3 kg)

Shipping Dimensions 24" W x 3<sup>1</sup>/<sub>2</sub>" H x 15<sup>3</sup>/<sub>4</sub>" D

#### Support

Call Miele (800) 999-1360

Miele Website [www.mieleusa.com](http://www.mieleusa.com)

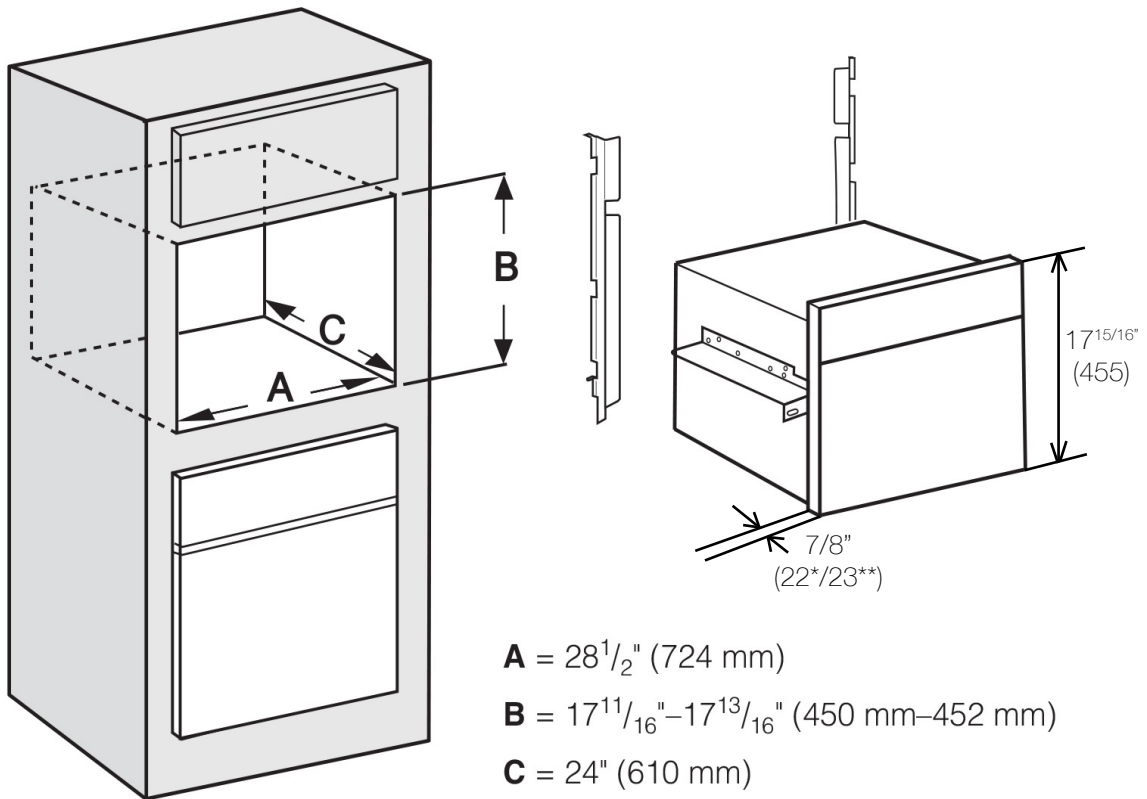
20/20 Link [2020technologies.com](http://2020technologies.com)

\*Trim Kit with glass front

\*\*Trim Kit with metal front

## INSTALLATION SPECIFICATIONS

### Installation In Tall Niche



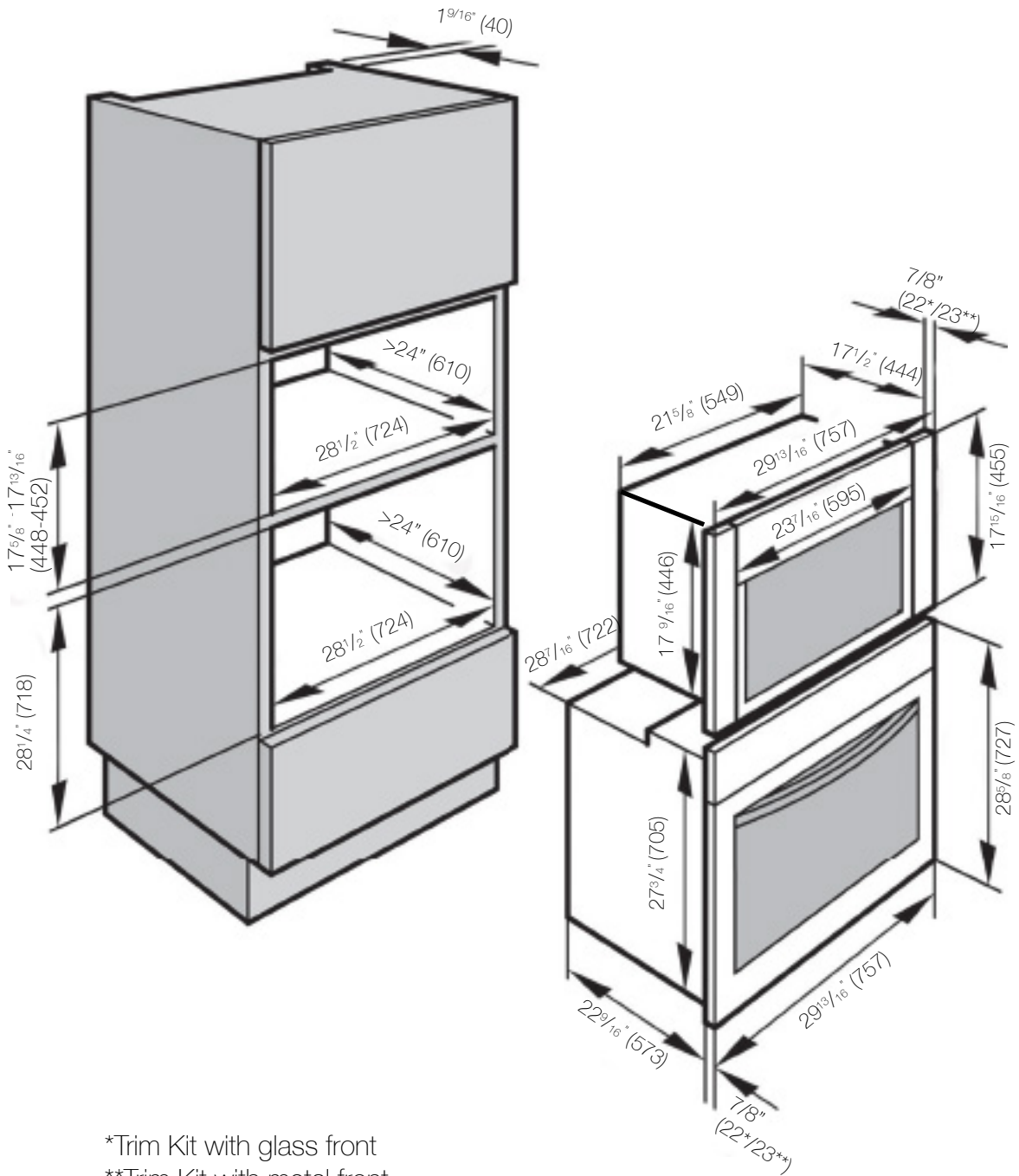
\*Trim Kit with glass front

\*\*Trim Kit with metal front

Follow the appliance's installation directions for plumbing, electrical, and ventilation.

## 30" Trim Kit EBA 6708, **EBA 6808**

Installation Above 30" Oven



- \*Trim Kit with glass front
- \*\*Trim Kit with metal front

Follow the appliance's installation directions for plumbing, electrical, and ventilation.

## Fully Integrated Dishwasher

SPECIFICATIONS	
Overall Unit Dimensions	23 <sup>9</sup> / <sub>16</sub> " (598mm) W x 33 <sup>11</sup> / <sub>16</sub> " - 36 <sup>1</sup> / <sub>4</sub> " (855 - 920mm) H x 22 <sup>7</sup> / <sub>16</sub> " (570mm) D
<b>Niche</b>	
Minimum Cabinet Opening Dimensions	23 <sup>5</sup> / <sub>8</sub> " (600mm) W x 33 <sup>3</sup> / <sub>4</sub> " (857mm) H X 22 <sup>7</sup> / <sub>16</sub> " (570mm) D
<b>Plumbing</b>	
Water Supply Requirements	May be connected to a cold or hot water supply up to a maximum of 140°F/60°C. Must be connected to a shut-off valve with a male 3/8" compression. The water shut-off valve must be accessible after installation. The water pressure must be between 7.25 psi (0.5 bar) and 145 psi (10 bar). If the pressure is higher than 145 psi (10 bar), a pressure reducing valve must be installed.
Water Connection Line	4' 11" (1.5 m) flexible water intake hose is supplied with a 3/8" compression connection.
Drain Hose	4' 11" (1.5 m) flexible drain hose with a 7/8" (22 mm) internal diameter is supplied. The drain hose length must not be longer than 13' 1 1/2" (4 m) and the delivery head must not exceed 3' 3 3/8" (1 m).
<b>Electrical</b>	
Electrical Requirements	110V / 120V, 60Hz, 15 Amps
Power Cord	NEMA 5-15 plug, 3' 11" (1.2 m) (Measured from back of unit, convertible to hardwire)
<b>Shipping</b>	
Shipping Weight	121 lbs (55 kg)
Shipping Dimensions	27 <sup>1</sup> / <sub>8</sub> " W x 38 <sup>1</sup> / <sub>8</sub> " H x 26 <sup>3</sup> / <sub>8</sub> " D
<b>Support</b>	
Call Miele	(800) 999-1360
Miele Website	<a href="http://www.mieleusa.com">www.mieleusa.com</a>
20/20 Link	<a href="http://2020technologies.com">2020technologies.com</a>

### Custom Panel Ready

#### Classic Plus 3D



G 4998 Vi  
Item 21499861USA  
G4998 SCVi  
Item 21499862USA

#### Crystal



G 6665 SCVi  
Item 21666562USA

#### Dimension



G 6785 SCVi  
Item 21678562USA

#### Lumen



**G 6875 SCVi**  
Item 21687562USA  
G 6885 SCVi K2o  
Item 21688562USA

#### Diamond



G 6987 SCVi K2o  
Item 21698762USA

### Pre-Finished

#### Classic Plus



G 4977 Vi SF  
Item 21497763USA  
G4977 SCVi SF  
Item 21497764USA

#### Classic Plus 3D



G 4998 Vi SF  
Item 21499863USA  
G4998 SCVi SF  
Item 21499864USA

#### Crystal



G 6665 SCVi SF  
Item 21666563USA

#### Dimension



G 6785 SCVi SF  
Item 21678563USA

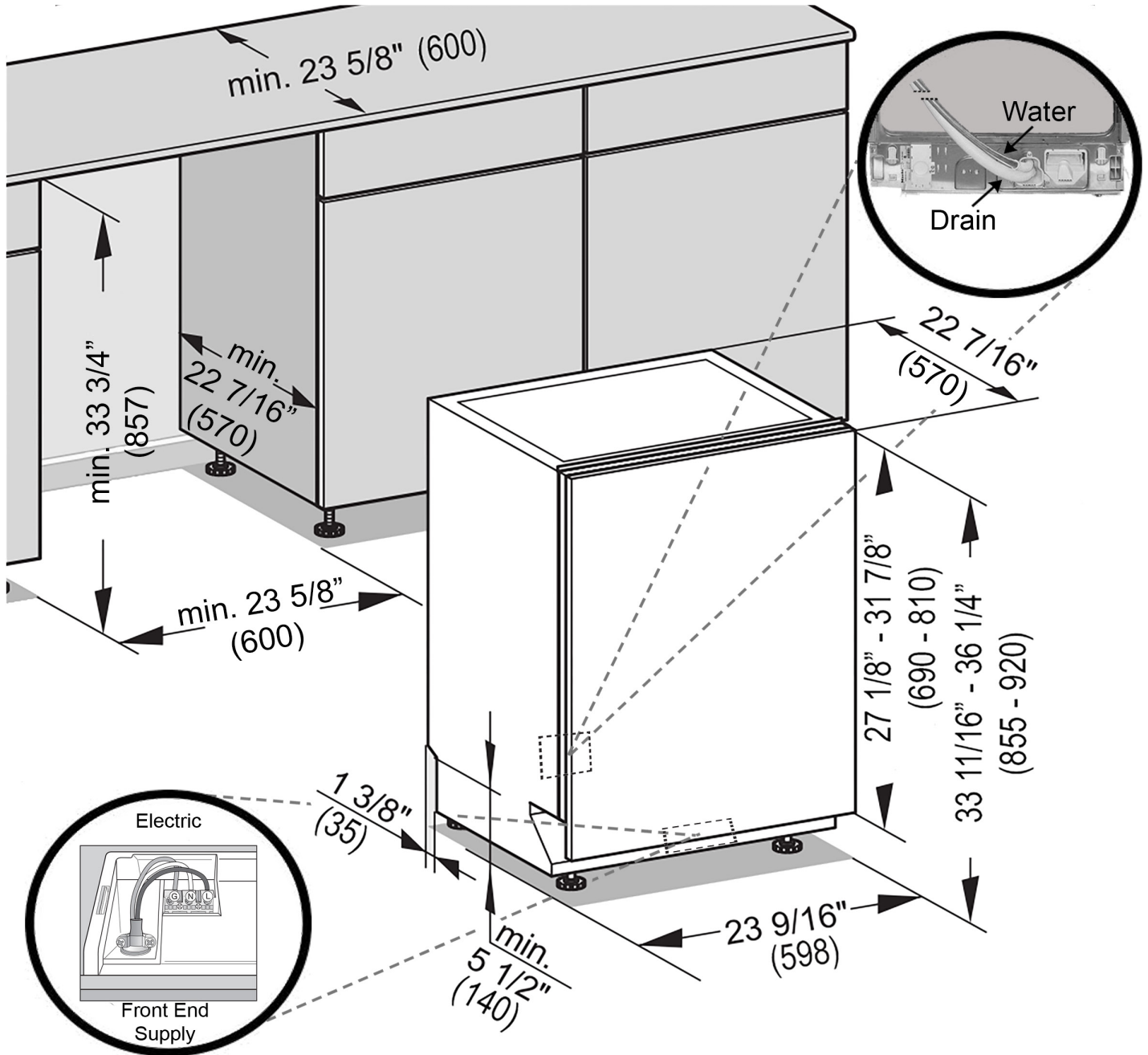
#### Lumen



G 6875 SCVi SF  
Item 21687563USA



### INSTALLATION SPECIFICATIONS



- Drain** - 4 ft 11 in (1.5 m) flexible drain hose.  
(Connects from lower center rear)
- Water** - 4 ft 11 in (1.5 m) flexible water intake hose with  $\frac{3}{8}''$  compression fitting.  
(Connects from lower center rear)
- Electric** - 4 ft 11 in (1.5 m) 120V 15 A 3 wire molded NEMA 5-15 plug power supply. (Connects via Front End Supply or may be hardwired)

## Fully Integrated 36" MasterCool

SPECIFICATIONS			
Overall Unit Dimensions	35 <sup>3</sup> / <sub>4</sub> " (908 mm) W x 83 <sup>3</sup> / <sub>4</sub> " - 85 <sup>3</sup> / <sub>16</sub> " (2127 - 2164 mm) H x 24" (610 mm) D [Depth does not include door panel]		
<b>Niche</b>			
Minimum Cabinet Niche Opening	36" (915 mm) W* x 84" - 85 <sup>3</sup> / <sub>16</sub> " (2134 - 2164 mm) H x 24 <sup>3</sup> / <sub>4</sub> " (629 mm) D		
Electrical	K 29x1 Vi	F 29x1 Vi	KF 29x1 Vi
Electrical Requirements	110V / 120V, 60Hz, 15 Amps In the case of side-by-side installations, a separate outlet must be used for each appliance.		
Power Cord	NEMA 5-15 plug, 5 ft (1.52 m)		
Plumbing	K 29x1 Vi	F 29x1 Vi	KF 29x1 Vi
Water Supply Requirements	-	Connect to a cold water supply only. Do not connect to a low-mineral or a reverse osmosis system. Must be connected to a shut-off valve. The water shut-off valve must be accessible after installation. The water pressure must be between 29 psi (2 bar) and 116 psi (8 bar). If the pressure is higher than 120 psi (8.3 bar), a pressure reducing valve must be installed.	
Water Connection Line	-	Standard 1/4" O.D flexible water line. The maximum outer diameter of the water pipe (without fittings): 3/8" (10 mm). Water line is not included.	
Shipping	K 29x1 Vi	F 29x1 Vi	KF 29x1 Vi
Shipping Weight	435 lbs (197 kg)	462 lbs (210 kg)	507 lbs (230 kg)
Shipping Dimensions	40" (1016 mm) W x 89 <sup>13</sup> / <sub>16</sub> " (1,294 mm) H x 29 <sup>1</sup> / <sub>4</sub> " (800 mm) D		
<b>Support</b>			
Call Miele	(800) 999-1360		
Miele Website	<a href="http://www.mieleusa.com">www.mieleusa.com</a>		
20/20 Link	<a href="http://2020technologies.com">2020technologies.com</a>		

Please note the following:

- This specification sheet is for a single built-in unit.
- When combining multiple MasterCool units side-by-side, please refer to the Merging Kit specification sheet.

\*If design calls for a partition less than 6<sup>5</sup>/<sub>16</sub>" (160 mm) the left unit's cutout will require an additional 1/8" (3 mm) to the width to allow installation of the Heating Mat/Merge Kit.



K 2901 Vi (Right Hinged)  
Item 36290101USA

K 2911 Vi (Left Hinged)  
Item 36291101USA



F 2901 Vi (Right Hinged)  
Item 37290101USA

F 2911 Vi (Left Hinged)  
Item 37291101USA



KF 2901 Vi (Right Hinged)  
Item 38290101USA

KF 2911 Vi (Left Hinged)  
Item 38291101USA



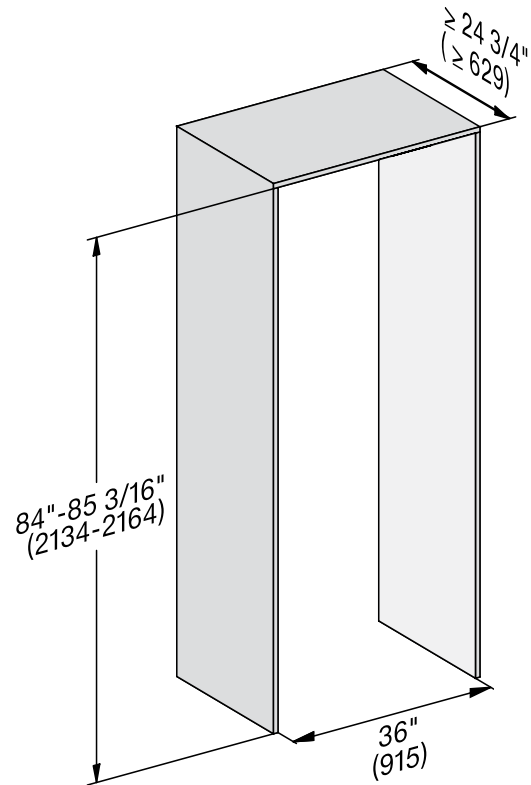
KF 2981 Vi (French Door)  
Item 38298101USA



## Fully Integrated 36" MasterCool

### CUTOUT DIMENSIONS

- Niche depth assumes a 3/4" (19 mm) panel, please adjust according to custom panel thickness

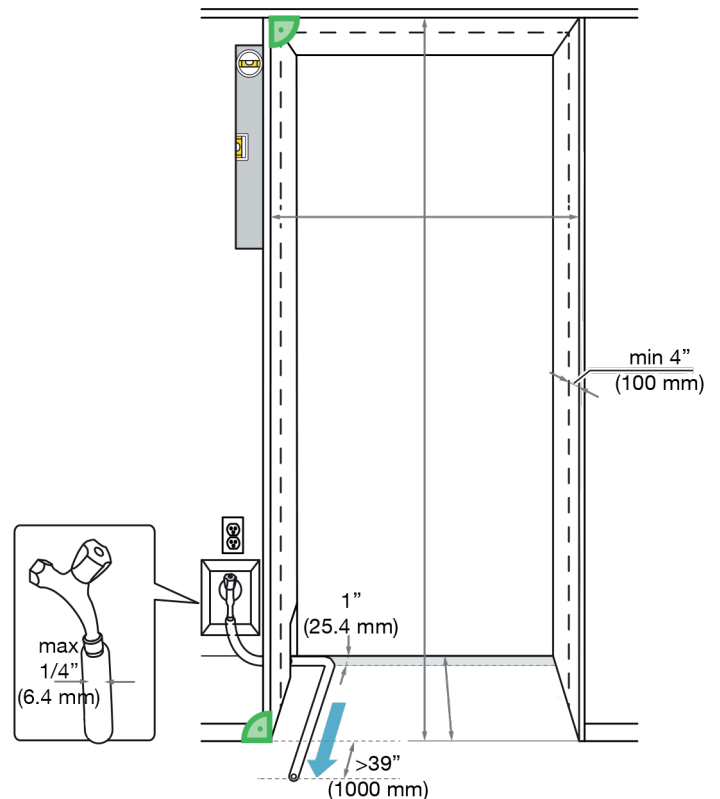


### CUTOUT DETAILS

- The electrical connection must not be positioned higher than 9" (228.6 mm) above the floor.
- The 1/4" (6.4 mm) plumbed water connection should not be positioned higher than 2" (50.8 mm) above the floor.

#### Notes:

In case of an emergency the electrical outlet must be easily accessible and must not be concealed behind the appliance.

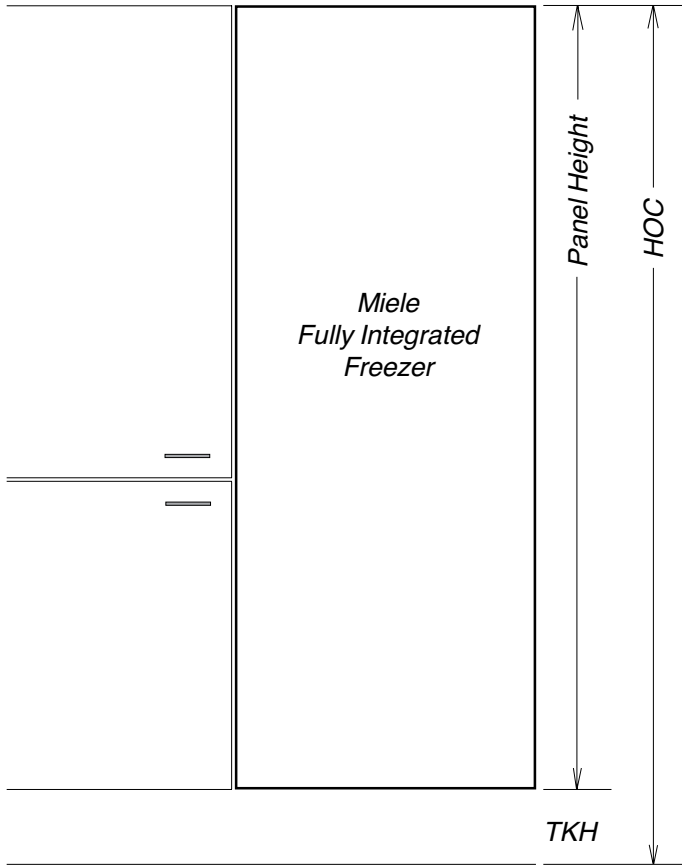


Fully Integrated  
 36" MasterCool | **K 29x1 Vi** & F 29x1 Vi

## CUSTOM PANEL INSTALLATIONS

**These units do not come equipped with a front panel.** They are designed to accept a custom door panel supplied by the cabinet maker. Miele has a unique panel integration system which allows the panels to align with the surrounding cabinets.

Panel size is determined in the following manner:



**Width:** Minimum 35 3/4" (908 mm)

**Thickness:** Minimum 3/4" (19 mm) outside frame

**Height:** Determined using the following calculation:

$$\text{Panel Height} = \text{HOC} - \text{TKH}$$

**HOC** = Total height of cabinet or side panel

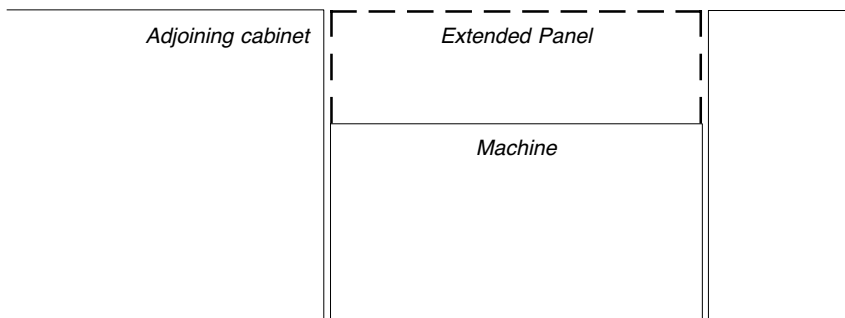
**TKH** = Toe-kick height

**Note:** Finish back side of panels to insure appearance  
 Panel may extend above unit. This is **not** considered in height calculation

**Maximum panel weight:** 106 Pounds

## Panel Notes

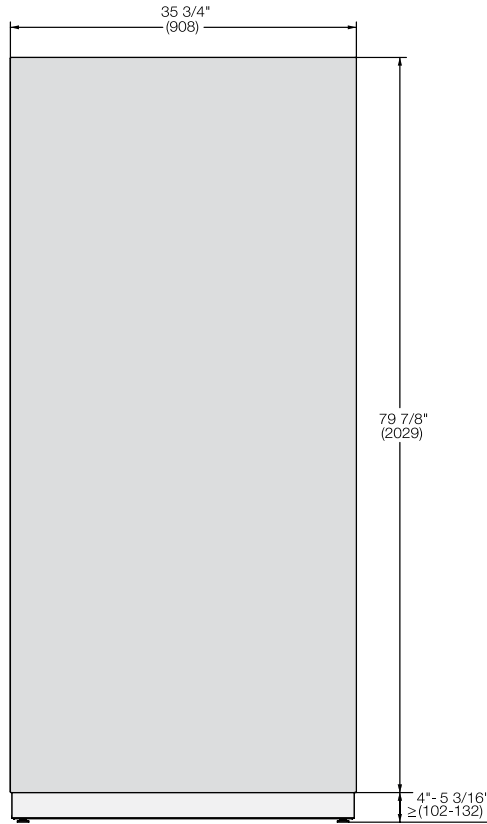
If the adjoining cabinets are taller than the height of machine (HOM) - the front panel may be extended accordingly. Simply maintain the toekick height and extend the panel the needed distance.

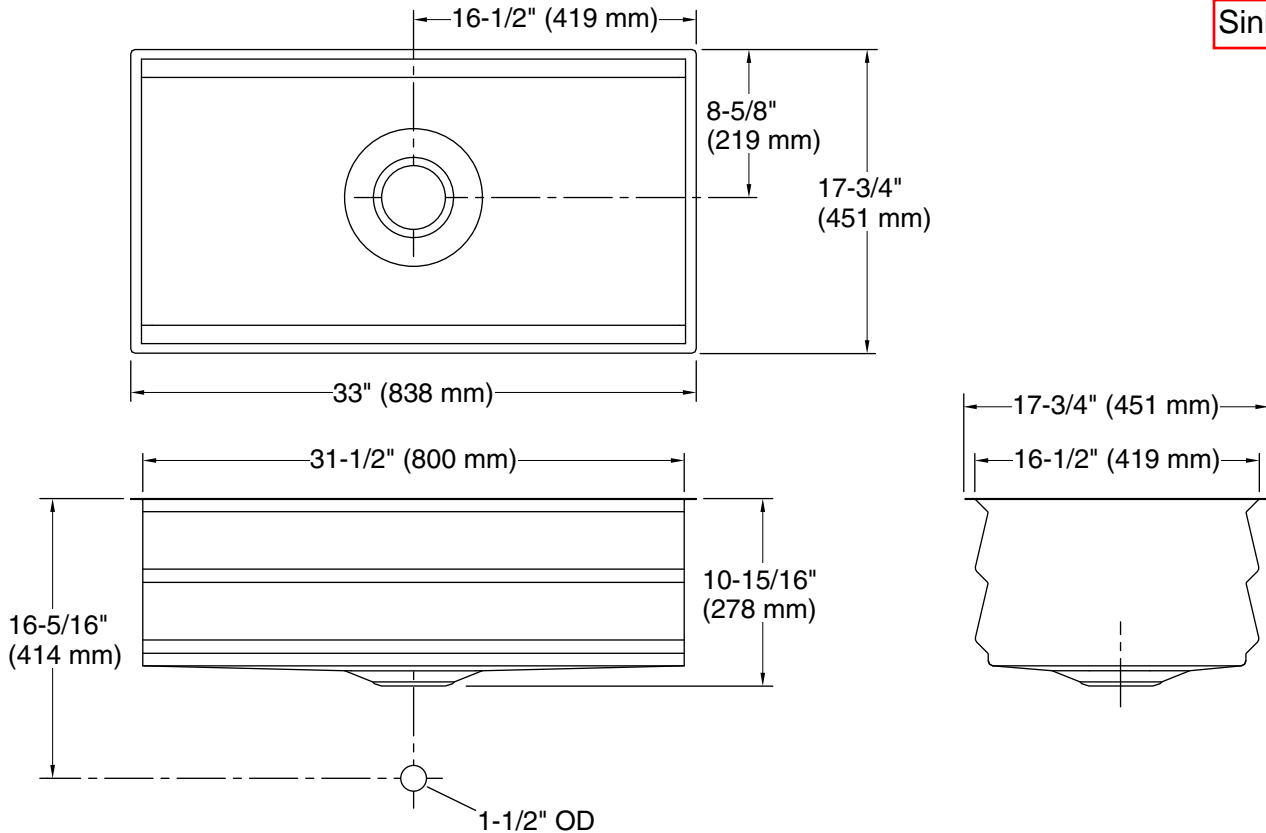


Fully Integrated  
36" MasterCool | **K 29x1 Vi** & F 29x1 Vi

**DOOR PANEL DIMENSIONS**  
KFP 3604 - Door Panel

Available as an accessory  
for the following models:  
• K 29x1 Vi  
• F 29x1 Vi





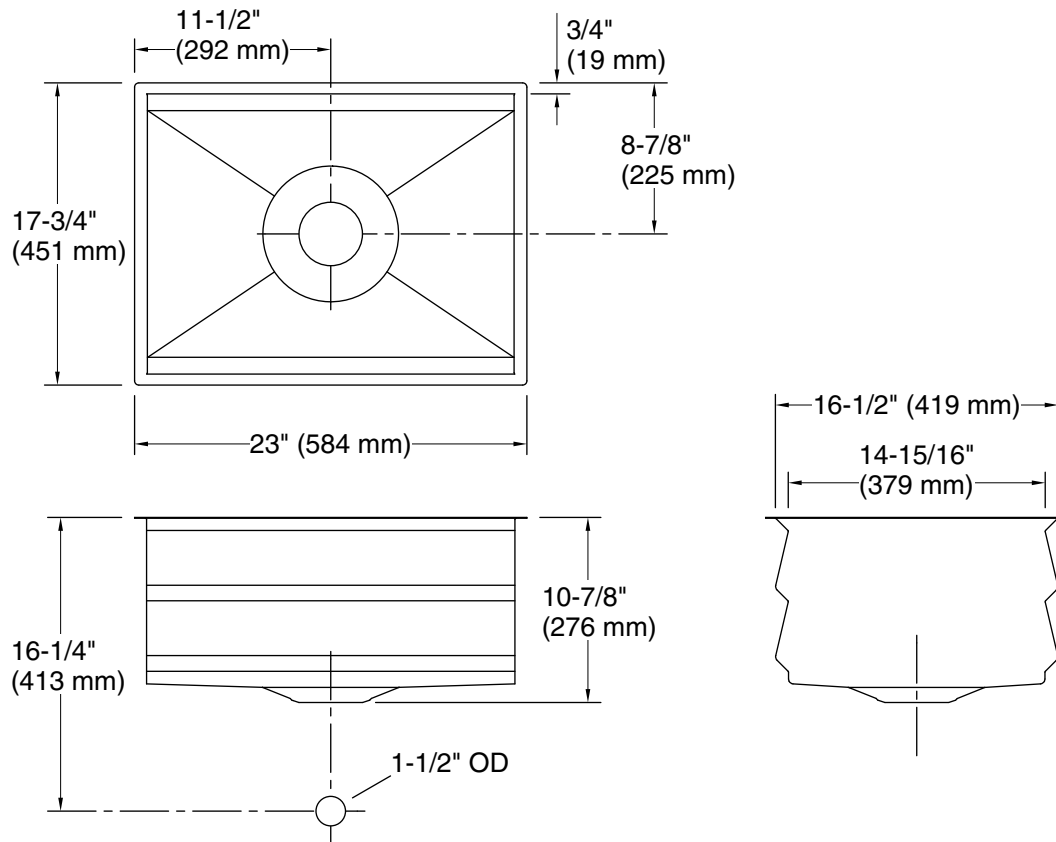
## Technical Information

All product dimensions are nominal.

Bowl configuration:	Single
Installation:	Under-mount
Min. base cabinet width:	36" (914 mm)
Bowl area (Only):	Length: 31-1/2" (800 mm) Width: 16-1/2" (419 mm) Bowl depth: 10" (254 mm) Water depth: 10" (254 mm)
Drain hole:	3-3/4" (94 mm)
Template:	1093327-7, required, included

## Notes

Install this product according to the installation instructions.



## Technical Information

All product dimensions are nominal.

Installation:	Under-mount
Min. base cabinet width:	24" (610 mm)
Bowl area (Only):	Length: 21-1/2" (546 mm) Width: 14-15/16" (379 mm) Bowl depth: 9-15/16" (252 mm) Water depth: 9-15/16" (252 mm)
Drain hole:	3-3/4" (94 mm)
Template:	1311445-7, required, included

## Notes

Install this product according to the installation instructions.

Countertop manufacturer or cutter must use the cut-out template provided with the product, or a current one provided by Kohler Co. (call 1-800-43-FOCUS). Kohler Co. is not responsible for cut-out errors when the incorrect cut-out template is used.



# 24" Marvel Beverage Center with Two 3-in-1 Split Convertible Shelves™

Model # ML24BC

## Performance

- Dynamic Cooling Technology™ delivers the industry's best temperature stability and rapid cool down, tested and proven to cool nearly 2x faster than competitors
- Thermal-efficient cabinet ensures optimum preservation and energy efficiency while maximizing capacity
- Argon-filled, UV-resistant tinted dual pane glass door protects contents from damaging ultraviolet light, while conserving energy
- Now even quieter operation thanks to exclusive design enhancements to buffer and minimize sound

## Storage Capabilities

- 5.5 cu. ft. capacity, stores up to (162) 12-oz cans and/or 18 wine bottles
- (2) 3-in-1 Split Convertible Shelves™ — cantilevered glass shelving converts to wine racks with a Vibration Neutralization System™ or both configurations all in one
- Roller-glide 4-bottle wine rack

## Touchpad Controls

- Multifunction Marvel Intuit™ Integrated Controls allow you to select a precise cabinet temperature from 34° F to 42° F
- Vacation mode conserves energy during times when unit is not in use

## Aesthetics

- Two-stage, arctic white theater-style LED lighting and midnight black interior
- Solid black-stained maple shelf fronts (natural maple available)
- Easy-to-install panel overlay option features soft-close integrated hinge for a truly flush fit with cabinetry
- Finish options: stainless steel or overlay (panel ready)



## Ordering Options

Stainless Frame, Glass Door, Right Hinge, Stainless Designer Handle	ML24BCG1RS
Stainless Frame, Glass Door, Left Hinge, Stainless Designer Handle	ML24BCG1LS
Panel-Ready Framed Glass Door, Integrated Right Hinge (Handle Not Included)*	ML24BCF2RP
Panel-Ready Framed Glass Door, Integrated Left Hinge (Handle Not Included)*	ML24BCF2LP
Panel-Ready Solid Overlay Door, Integrated Right Hinge (Handle Not Included)*	ML24BCP2RP
Panel-Ready Solid Overlay Door, Integrated Left Hinge (Handle Not Included)*	ML24BCP2LP

\*Easy installation! No panel kit required. Consult your cabinet maker for overlay panel and handle options.



## Finish



Stainless Steel Frame

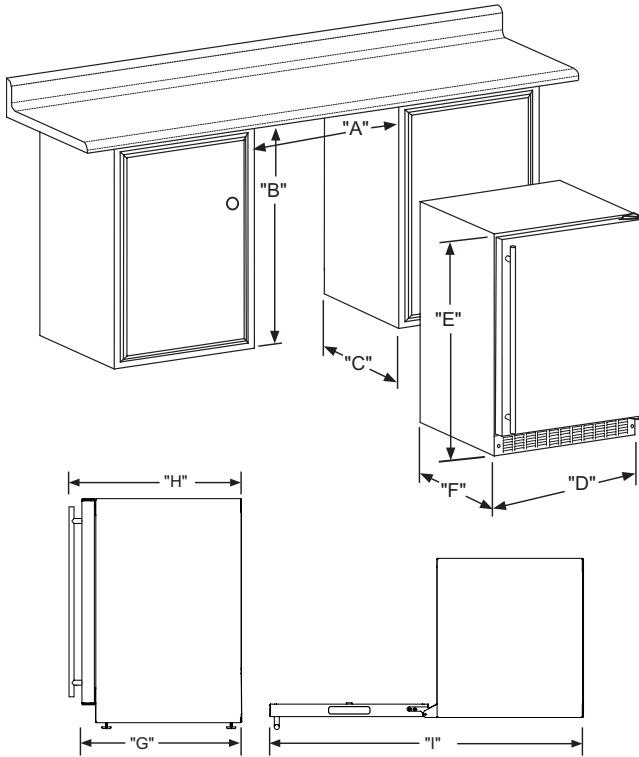


Framed Overlay (Panel Ready)\*

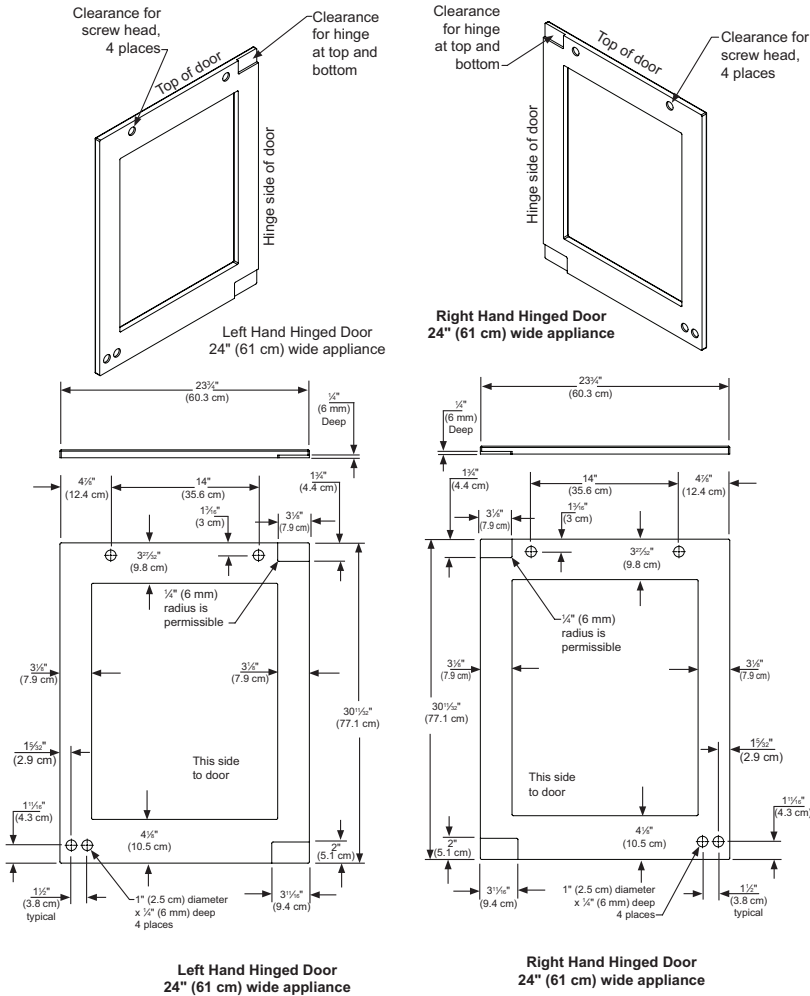


Solid Overlay (Panel Ready)\*

## Product Dimensions



## Panel Overlay Dimensions (Framed Door)



## Rough-In Dimensions

A. Rough-In Width	24"	
B. Rough-In Height	Solid Door	34" to 35"
	Overlay Door	34" 1/4 to 35" 1/4
C. Rough-In Depth	24"	

## Product Dimensions

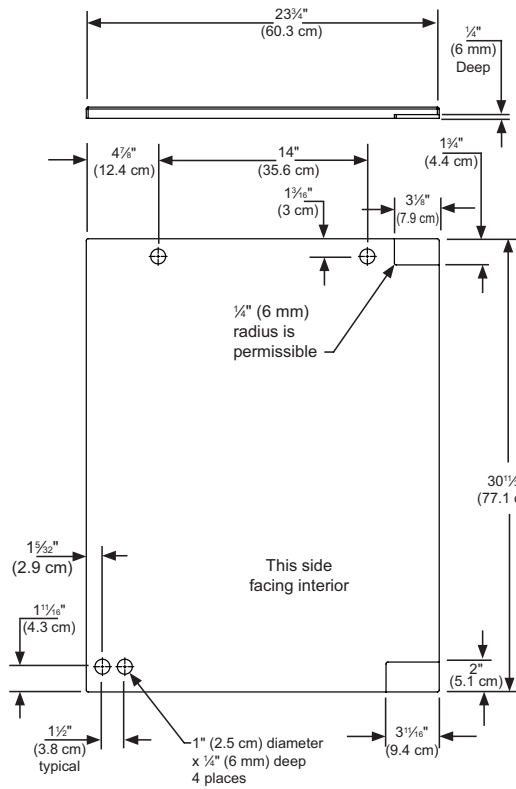
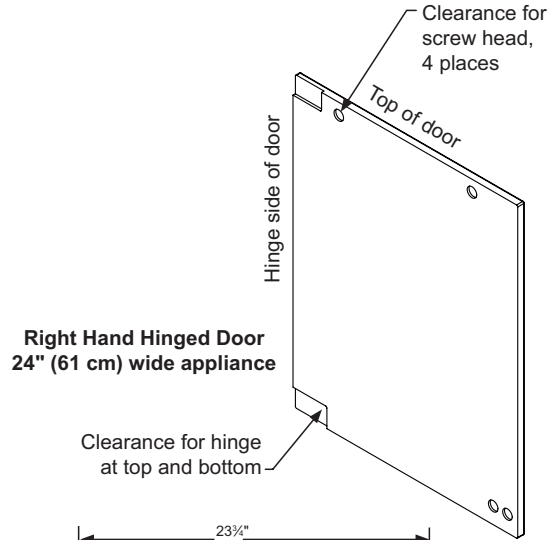
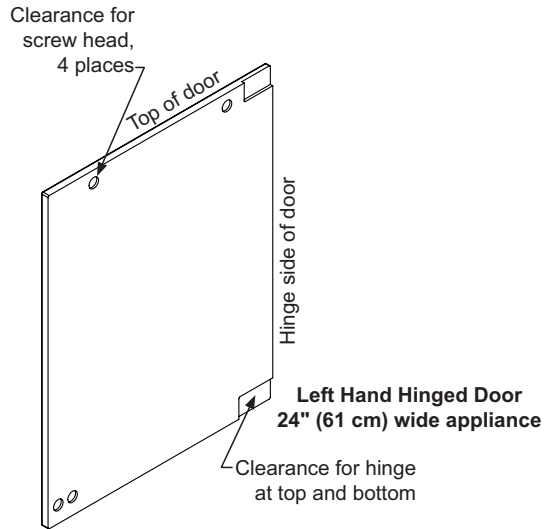
D. Width	23 7/8"	
E. Height	Solid Door	33 3/4" to 34 3/4"
	Overlay Door	34" to 35"
F. Depth	21 1/2"	
G. Depth to Front of Door	Solid Door	23 23/32"
	Overlay Door	22 7/8" Without Handle
H. Depth to Handle	25 21/32" (Stainless Steel)	
I. Depth with door at 90°	Solid Door	46 13/32"
	Overlay Door	46 1/2"

## Product Features

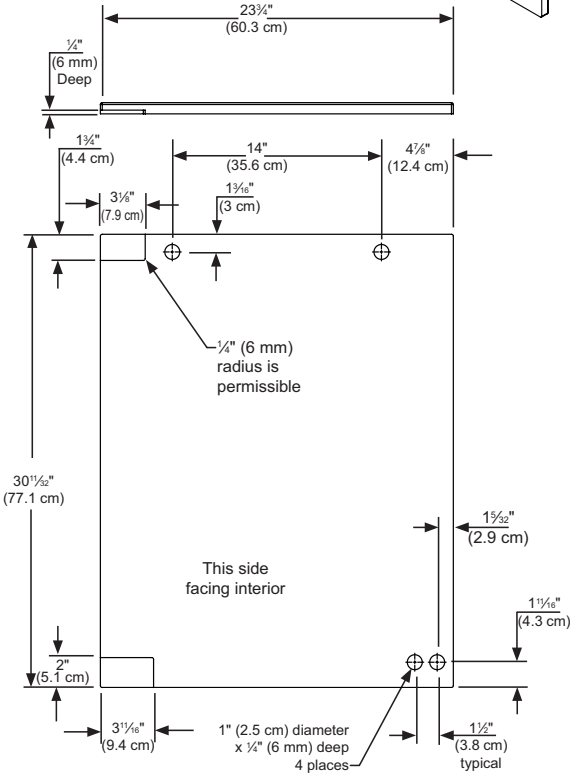
Interior Cabinet Finish	Black
Capacity	Up to 18 wine bottles or Up to 162 12-oz cans
Shelving System	Cantilever
Shelf Fronts	Black Steel Framed
Other Storage	(2) 3-in-1 Split Convertible Shelves™
Interior Lighting	White LED
Toe Grill Finish	Black
Hinge	Classic Hinge
Handle	Slim Designer Handle (Panel Overlay Does Not Include Handle)
Control Type	Intuit™
Temperature Range	34° to 42° F
Lock	No
Electrical Requirements	120V / 60Hz / 15A
Length of Power Cord	6'
Shipping Weight	160 lbs
Finishes	Stainless Steel, Overlay
Vacation Mode	Yes
Agency Approvals	CSA, ENERGY STAR

For comprehensive installation instructions, please visit [www.marvelrefrigeration.com](http://www.marvelrefrigeration.com) to access the owner's guide.

Panel Overlay Dimensions (Solid Door)



**Left Hand Hinged Door**  
24" (61 cm) wide appliance



**Right Hand Hinged Door**  
24" (61 cm) wide appliance

For comprehensive installation instructions, please visit [www.marvelrefrigeration.com](http://www.marvelrefrigeration.com) to access the owner's guide.



SPECIFICATIONS

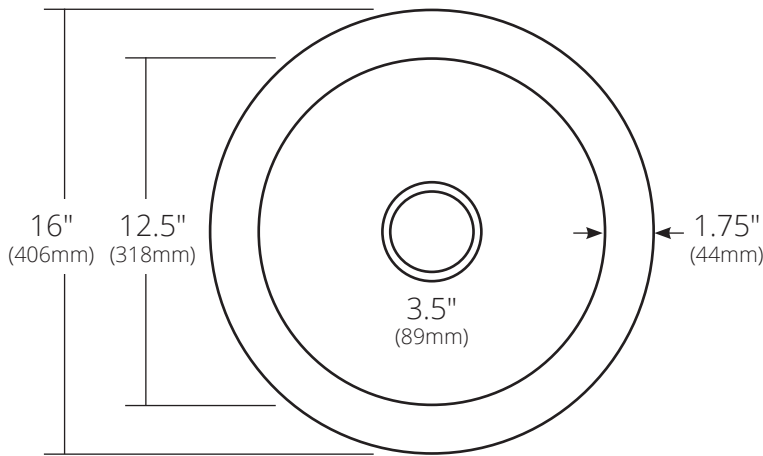
**OLIVOS**

NativeStone® Collection

**Bar Sink**



TOP VIEW



- NSB1607-A Ash
- NSB1607-S Slate**
- NSB1607-P Pearl
- NSB1607-E Earth

**PRODUCT DETAILS**

- 16" x 8" OD (406mm x 203mm)
- 12.5" x 7.25" ID (318mm x 184mm)
- 3.5" (89mm) drain opening
- Handcrafted from sustainable NativeStone®
- Sealed with impermeable nano sealer

**INSTALLATION**

- Drop-in or Undermount

**COORDINATING PRODUCTS**

- Drains: DR320 or DR340
- Bottom Grid: GR951

**STANDARDS COMPLIANCE**

- UPC/cUPC compliant

**IMPORTANT**

Do NOT use tape or other adhesives on NativeStone® as it may remove the sealer.

Due to the handcrafted nature of this product, it will vary in finish, texture, and other details. Dimensions may vary up to .25" (6mm).

SIDE VIEW

