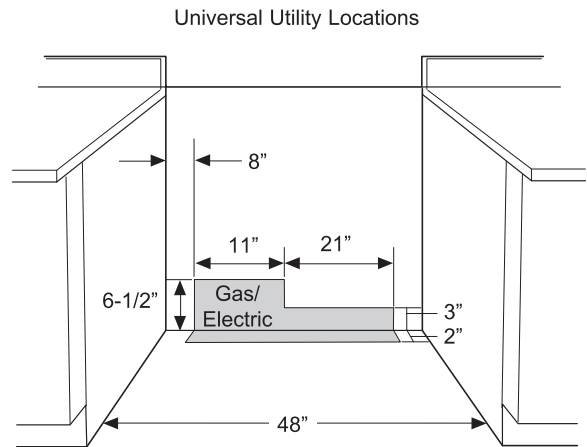
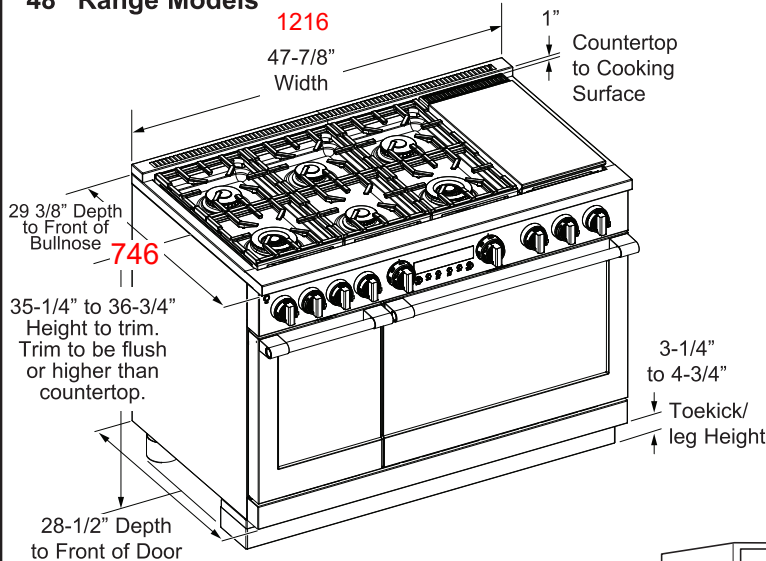


PRODUCT DIMENSIONS AND CLEARANCES

48" Range Models



⚠ WARNING

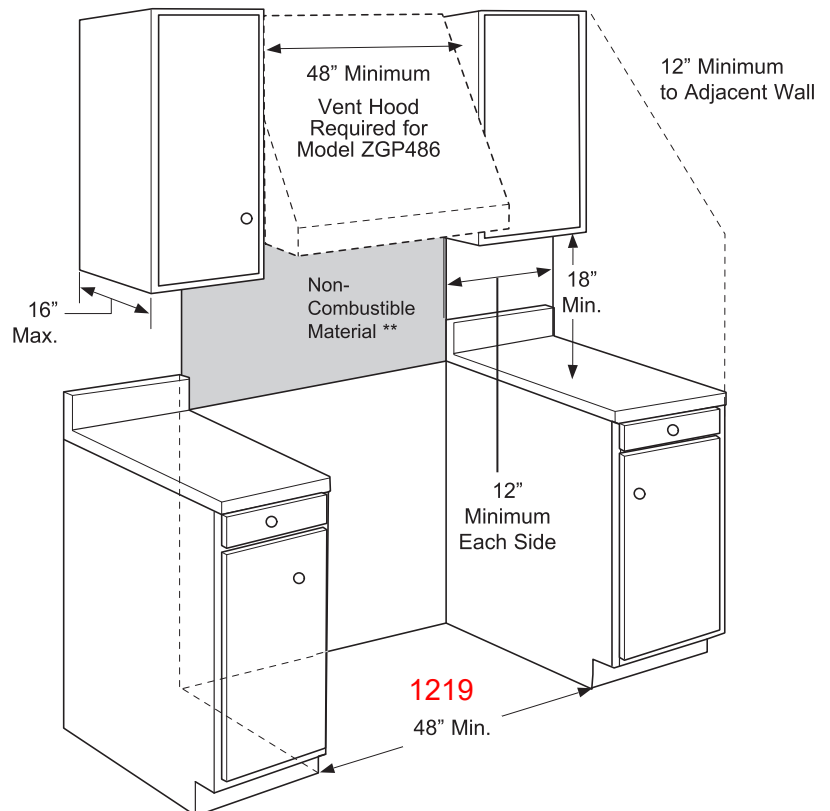
A suitable overhead vent hood is required for model ZGP486. A custom hood installation with exposed horizontal combustible surfaces must have an Auto-On feature. Refer to hood installation instructions for specific hood clearances.

The surface of the entire back wall above the range and below the hood must be covered with a non-combustible material such as metal, ceramic tile, brick, marble or other stone.

⚠ CAUTION

To prevent drafts from affecting burner operation, seal all openings in floor under appliance and behind appliance wall.

** As defined in the National Fuel Gas Code (ANSI Z223.1/CSA B149.1, Current Edition). Clearances from non-combustible materials are not part of the ANSI Z21.1/CSA 1.1 scope and are not certified by CSA. Clearances less than 12" must be approved by local codes and/or the authority having jurisdiction.

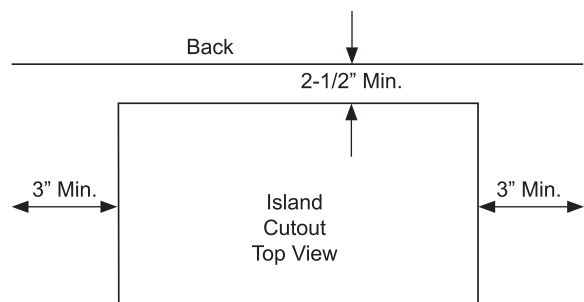


ADDITIONAL CLEARANCES:

Allow 12" minimum clearance to an adjacent wall on each side.

Working areas adjacent to the rangetop should have 18" minimum clearance between countertop and the bottom of the wall cabinet.

For island installation, maintain 2-1/2 in. minimum from cutout to back edge of countertop and 3 in. minimum from cutout to side edges of countertop (see top view).

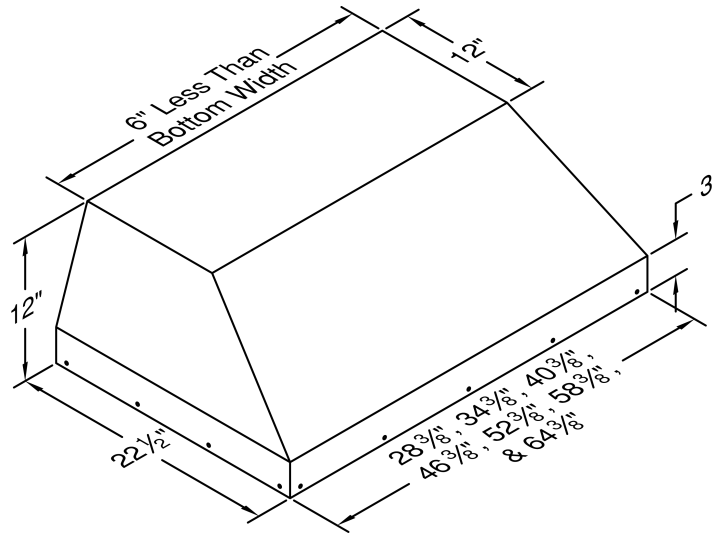


BH246PSLD

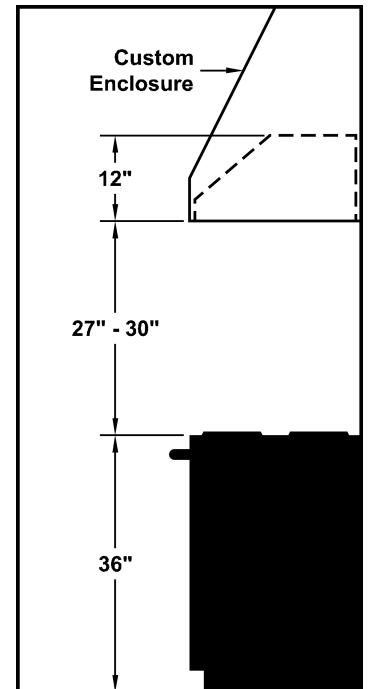
Halogen lights. This model is not available with heat lamps.

Dimensional Information

Width	46.375
Depth	22.5
Height	12.0
CFM @ 0.0" SP	600.0
Sones	6.5
Amps	4.4
# Lights	3.0

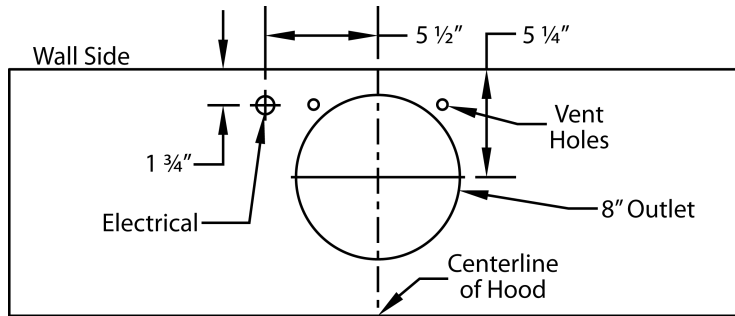


Recommended Mounting Height*



*Exceeding recommended mounting height may compromise performance.

Connection Diagram



600 CFM B200 Dual Blower (Top View)

Electrical/Mechanical Specifications For Blower Unit

Model	Volts	Amps*	Hz	RPM	CFM SP@0.0"	Equivalent CFM	CFM SP@0.1"	CFM SP@0.2"	CFM SP@0.3"	Minimum Round Duct Size	Sones [#]
B200 Dual	115.0	2.9	60.0	1550.0	600.0	900.0	531.0	480.0	430.0	8" (50 sq. in.)	6.5

+ This model is equipped with halogen lighting: (2 lights: 30" - 41", 3 lights: 42" - 53", 4 lights: 54" - 66").

\$ Because the Magic Lung® blower uses centrifugal filtration rather than conventional baffle or mesh filters, the Magic Lung® blower can handle cooking equipment with higher cubic feet per minute (CFM) requirements and can deliver equivalent CFM much more efficiently than other filtration systems. When comparing the Magic Lung® with other blower units made by other manufacturers, use the "Equivalent CFM".

Ratings in accordance with the Standard Test Code by the Energy Systems Laboratory of the Texas Engineering Experiment Station.



SPECIFICATIONS

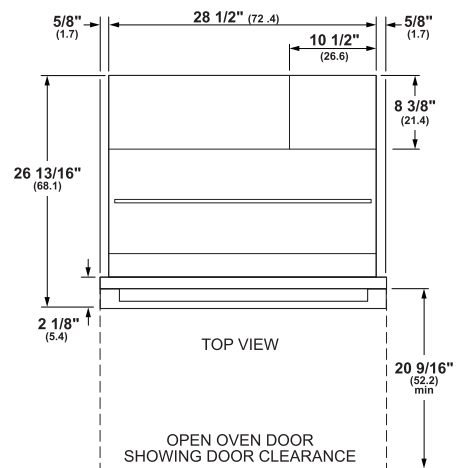
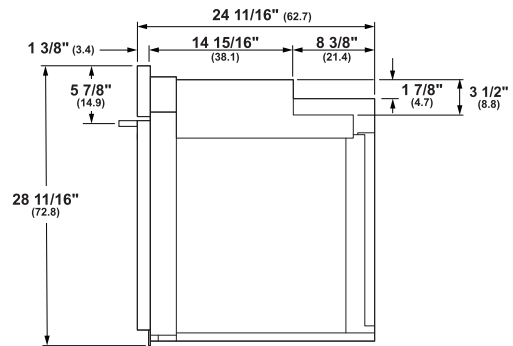
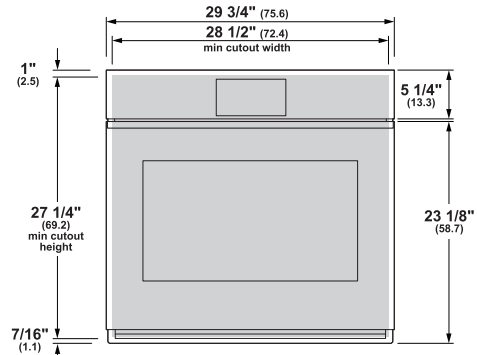
Overall Width	29 3/4" (75.6cm)
Overall Height	28 11/16" (72.8 cm)
Overall Depth Including Handle	26 13/16" (68.1 cm)
Oven Door Clearance	21 13/16" (55.4 cm)
Overall Oven Interior Capacity	5.0 cu. ft. (141.6 liters)
Oven Interior Dimensions (W x H x D)	25" x 17 3/8" x 20 1/4" (63.5 x 44.1 x 51.4 cm)
Minimum Cabinet Width*	30" (76.2 cm)
Minimum Cabinet Depth*	24" (61.0 cm)
Minimum Base Support	220 lbs. (99 kg)
Cutout Width*	28 1/2" (72.4 cm) Min 28 5/8" (72.7 cm) Max
Cutout Height*	27 1/4" (69.2 cm) Min 27 5/16" (69.4 cm) Max
Cutout Depth*	23 1/2" (59.7 cm) Min
Volts/Hertz/Amps	240/208 V AC, 60 Hz, 20A
Conduit Length	48" (72" available special order: WB18TI0398)
Electrical Rating	3.4 kW at 208V 4.5 kW at 240V
Shipping Weight	184 lbs. (84 kg)

* Additional space will be needed for flush installation.

ATTENTION ELECTRICIAN:

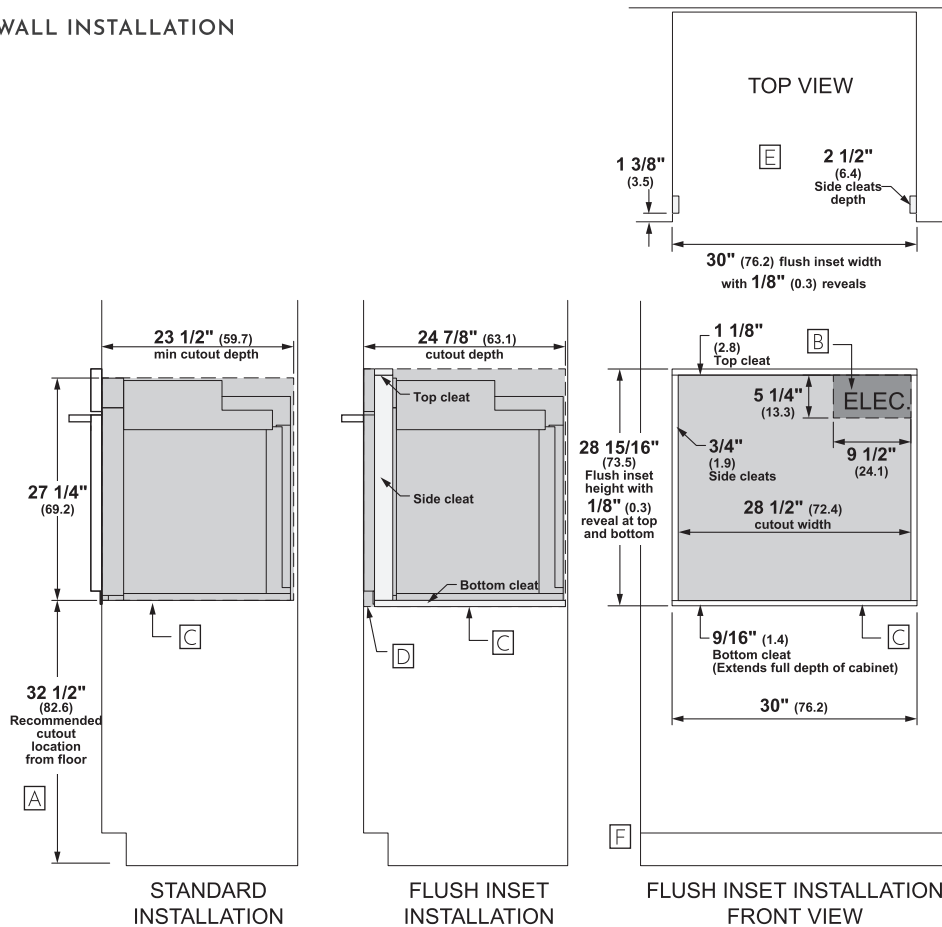
A 240/208V, 60Hz, 20 Amp circuit is required. An individual properly grounded branch circuit or circuit breaker is required. Hardware junction box is required for built-in product.

OVERALL DIMENSIONS



Dimensions in parentheses are in centimeters unless otherwise noted. Actual product dimensions may vary due to manufacturing tolerances.

WALL INSTALLATION

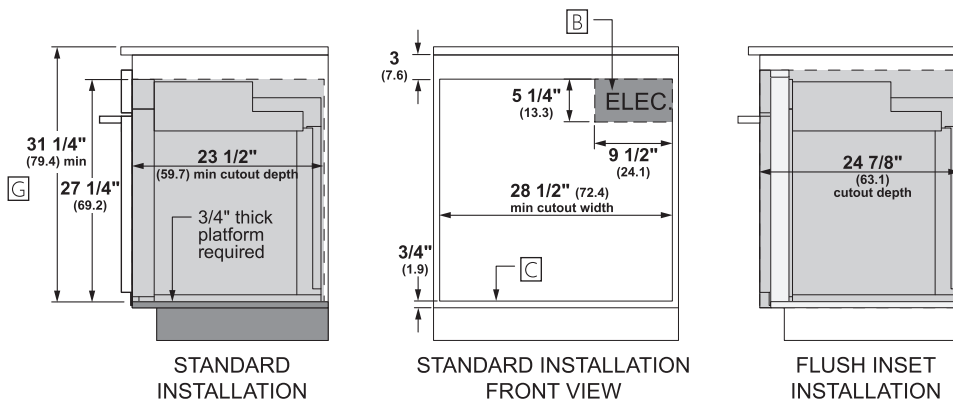


HELPFUL TIPS

- [A] Based on a user height of 5' 6" to 5' 10"
- [B] Junction box location (May also be located in adjacent cabinet.)
- [C] Platform must be able to support 220 lbs (99 kg)
- [D] Cabinet surfaces must be an appearance finished surface for flush installation.
- [E] Cleats may be visible and should be finished to match cabinetry.
- [F] If using optional flush install vent trim accessory ZX30VT1, please adjust cutout height to 28-5/8" and bottom cleat height to 1/4".
- [G] Minimum 31 1/4" from the top surface of the countertop to the top surface of the wall oven support platform when installed beneath a certified cooktop.

Allow 1/8" (0.3 cm) clearances from side edges of oven door.

UNDERCOUNTER INSTALLATION



For more details, refer to the installation instructions for this product on Monogram.com. Dimensions in parentheses are in centimeters unless otherwise noted.



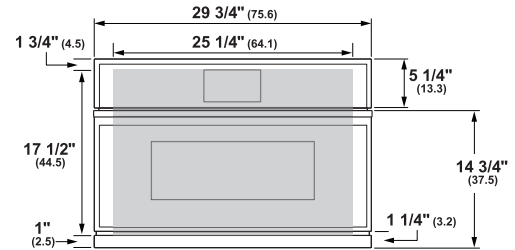
SPECIFICATIONS

Overall Width	29 3/4" (75.6)
Overall Height	20 1/4" (51.4)
Overall Depth (includes control panel thickness)	22 7/8" (58.1)
Oven Door Clearance	13 1/4" (33.7)
Overall Oven Interior Capacity	1.7 cu. ft.
Oven Interior Dimensions (W x H x D)	20 1/16" x 8 1/2" x 17" (51 cm x 21.6 cm x 43.2 cm)
Minimum Cabinet Width	30" (76.2)
Minimum Cabinet Depth	23 1/2" (59.7)
Minimum Base Support	130 lbs (59 kg)
Cutout Width	25 1/4" (64.1)
Cutout Height	17 1/2" (44.5)
Cutout Depth	23 1/2" (59.7)
Voltz/Hertz/Amps	240/208 VAC, 60 Hz, 30A
Power Cord Length	48" (121.9)
Electrical Rating	4.72 kW at 208V 6.3 kW at 240V
Total Amps	30A
Shipping Weight	92 lbs (41.7 kg)

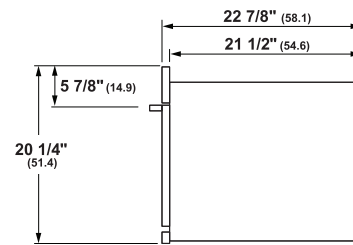
ATTENTION ELECTRICIAN:

A 240/208V, 60Hz, 30 Amp circuit is required. An individual properly grounded branch circuit or circuit breaker is required. Hardware junction box is required for built-in product.

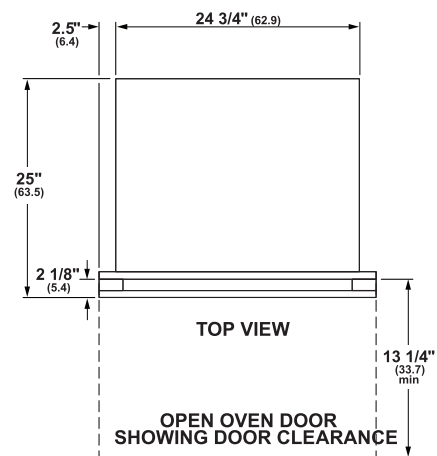
OVERALL DIMENSIONS



FRONT VIEW (SHOWING CUTOUT OVERLAP)



SIDE VIEW

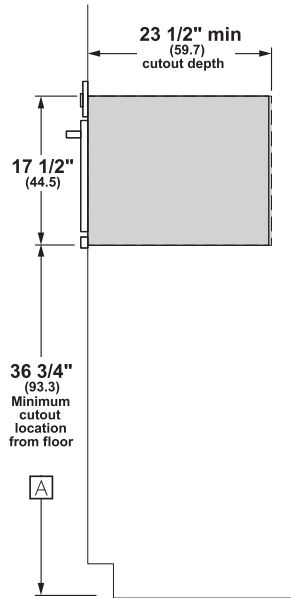


TOP VIEW

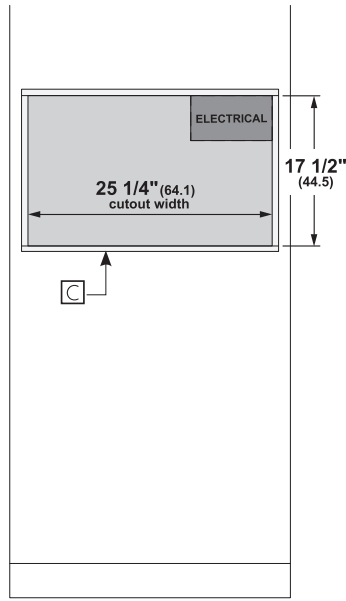
**OPEN OVEN DOOR
SHOWING DOOR CLEARANCE**

Dimensions in parentheses are in centimeters unless otherwise noted. Actual product dimensions may vary due to manufacturing tolerances.

WALL INSTALLATION



**STANDARD
INSTALLATION**



**STANDARD INSTALLATION
FRONT VIEW**

HELPFUL TIPS

- A Based on a user height of 5' 6" to 5' 10"
- B Junction box location (May also be located in adjacent cabinet.)
- C Platform must be able to support cabinet load, weight of oven, and additional oven loads

For more details, refer to the installation instructions for this product on Monogram.com. Dimensions in parentheses are in centimeters unless otherwise noted.



SPECIFICATIONS

Overall Width	23 9/16" (59.8 cm)
Overall Height	83 1/2" (212.1 cm)
Overall Depth	24 3/4" (62.9 cm)
Door Clearance at 90°	27 3/8" (69.5 cm)
Cutout Width	23 13/16" (60.5 cm)
Cutout Height	84" (213.4 cm)
Cutout Depth	25" (63.5 cm)
Plumbing Requirements	GE SmartConnect kit
Net Weight (approx)	430 lb (195.0 kg)

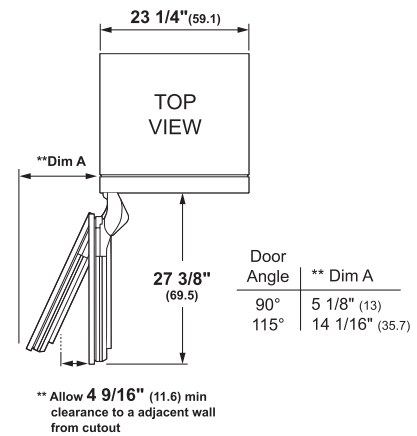
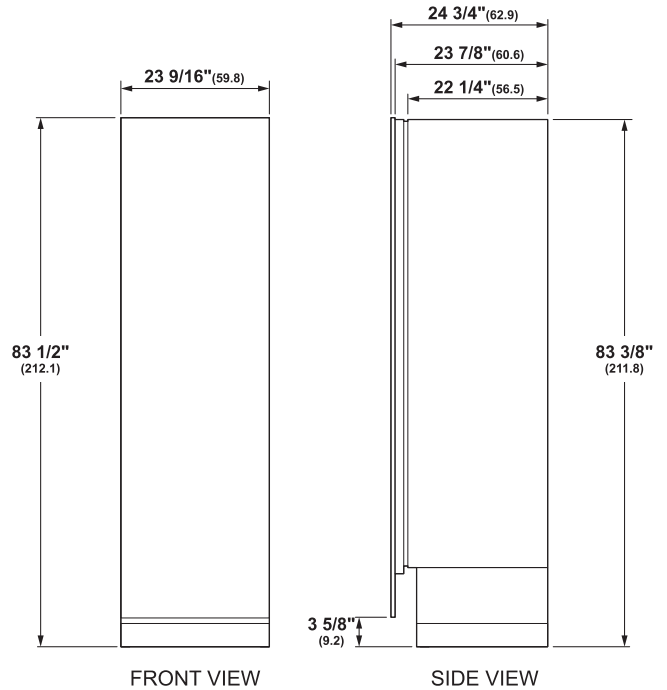
ATTENTION ELECTRICIAN:

A 115 volt 60Hz., 15 or 20 amp power supply is required. An individual properly grounded branch circuit or circuit breaker is recommended. For multiple unit installation, each unit requires separate individually properly grounded circuit or breaker and separate properly grounded 3-prong electrical receptacle recessed.

⚠ WARNING:

When installing appliance, you must use and follow the product installation instructions. These can be found with unit or on web at monogram.com.

OVERALL DIMENSIONS



** Dimensions based on handle height of 2 9/16" (6.5)

Dimensions in parentheses are in centimeters unless otherwise noted. Actual product dimensions may vary due to manufacturing tolerances.



SPECIFICATIONS

Overall Width	35 9/16" (90.3 cm)
Overall Height	83 1/2" (212.1 cm)
Overall Depth	24 3/4" (62.9 cm)
Door Clearance at 90°	39 3/8" (100.0 cm)
Cutout Width	35 13/16" (91.0 cm)
Cutout Height	84" (213.4 cm)
Cutout Depth	25" (63.5 cm)
Plumbing Requirements	GE SmartConnect kit
Net Weight (approx)	545 lbs (247.2 kg)

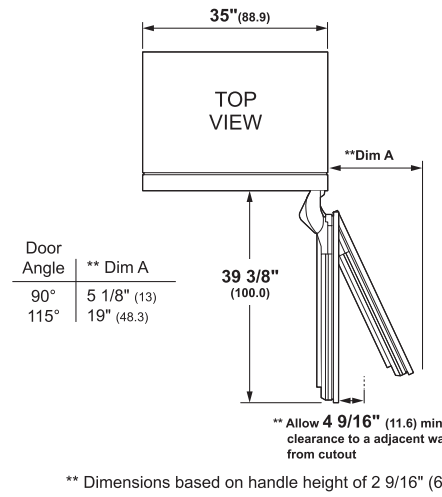
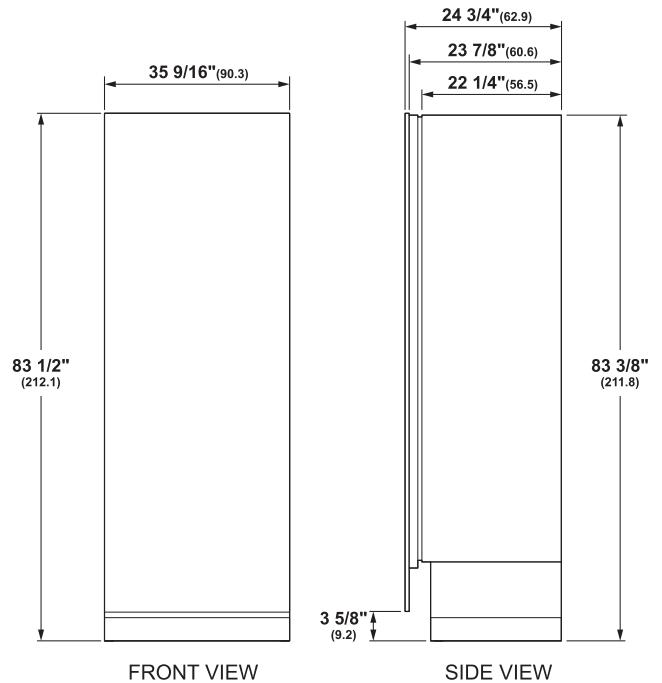
ATTENTION ELECTRICIAN:

A 115 volt 60Hz., 15 or 20 amp power supply is required. An individual properly grounded branch circuit or circuit breaker is recommended. For multiple unit installation, each unit requires separate individually properly grounded circuit or breaker and separate properly grounded 3-prong electrical receptacle recessed.

⚠ WARNING:

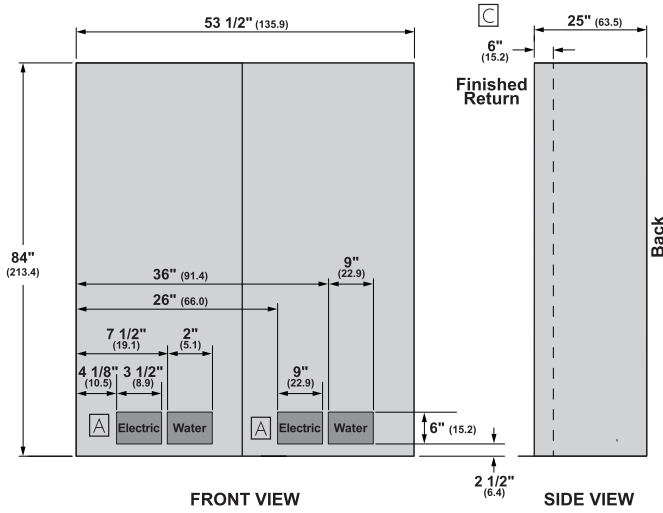
When installing appliance, you must use and follow the product installation instructions. These can be found with unit or on web at monogram.com.

OVERALL DIMENSIONS

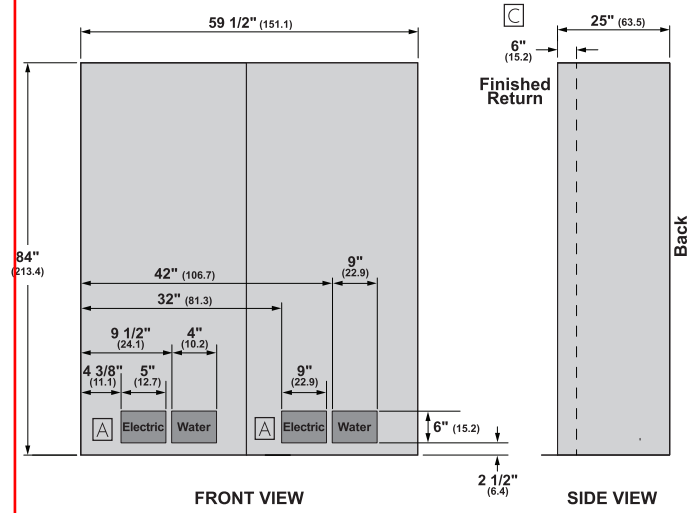


Dimensions in parentheses are in centimeters unless otherwise noted. Actual product dimensions may vary due to manufacturing tolerances.

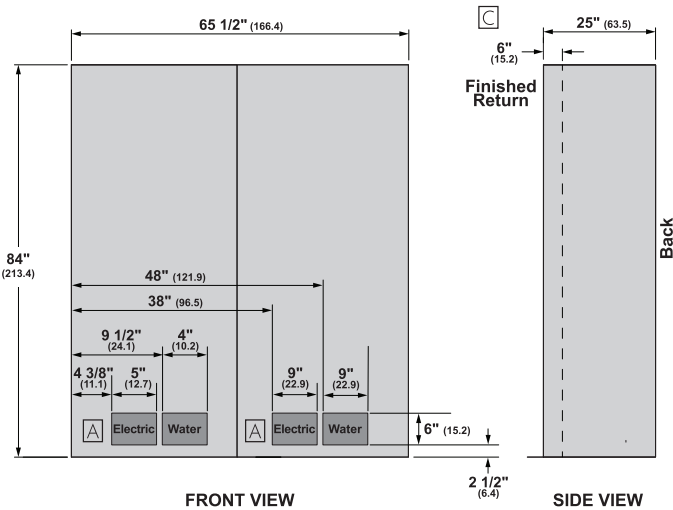
DUAL INSTALLATION
18" INTEGRATED FREEZER, ZIF181NPNII AND
36" INTEGRATED REFRIGERATOR, ZIR361NPRNII



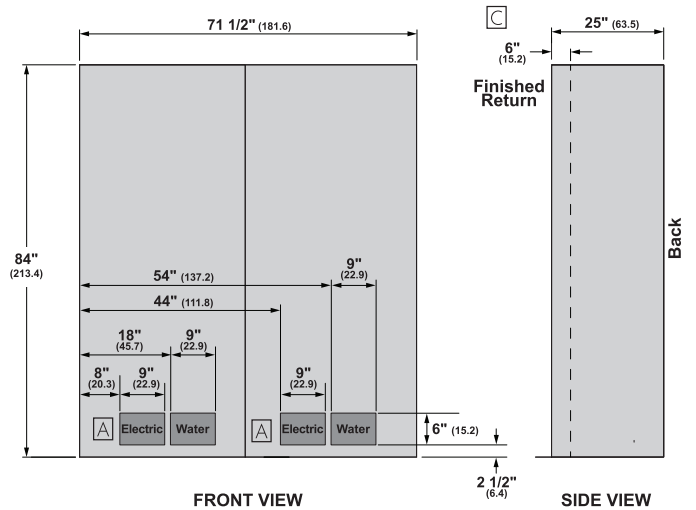
DUAL INSTALLATION
24" INTEGRATED FREEZER, ZIF241NPNII AND
36" INTEGRATED REFRIGERATOR, ZIR361NPRNII



DUAL INSTALLATION
30" INTEGRATED FREEZER, ZIF301NPNII AND
36" INTEGRATED REFRIGERATOR, ZIR361NPRNII



DUAL INSTALLATION
36" INTEGRATED FREEZER, ZIF361NPNII AND
36" INTEGRATED REFRIGERATOR, ZIR361NPRNII



INTEGRATED INSTALLATION

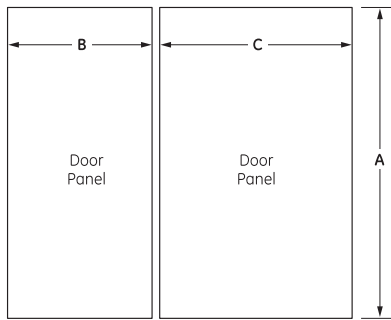
HELPFUL TIPS

A A separate 115V, 60Hz, 15- or 20-amp power supply is recommended for each product.

B Cutout based on installation of two products with a left-and-right-hand door swing.

C A minimum 6" (15.2) finished return matching cabinet exterior recommended on interior on all sides and top at front of opening.

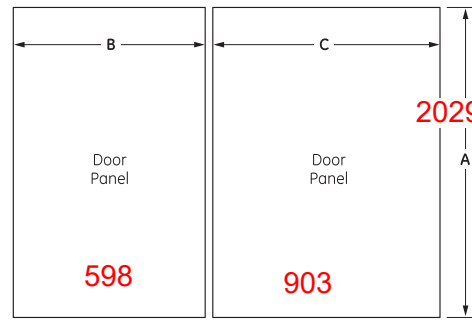
FLUSH 3/4" PANEL DIMENSIONS DUAL INSTALLATION WITH 18" FREEZER, ZIF181NPNII AND 36" REFRIGERATOR, ZIR361NPRII



PANEL DIMENSIONS

A	B	C
79 7/8"	17 9/16"	35 9/16"

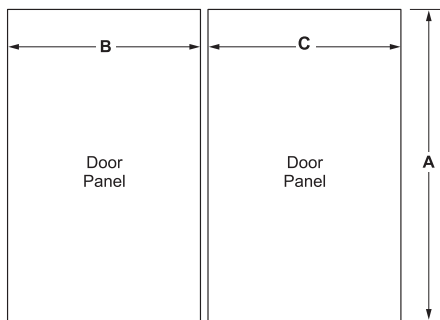
FLUSH 3/4" PANEL DIMENSIONS DUAL INSTALLATION WITH 24" FREEZER, ZIF241NPNII AND 36" REFRIGERATOR, ZIR361NPRII



PANEL DIMENSIONS

A	B	C
79 7/8"	23 9/16"	35 9/16"

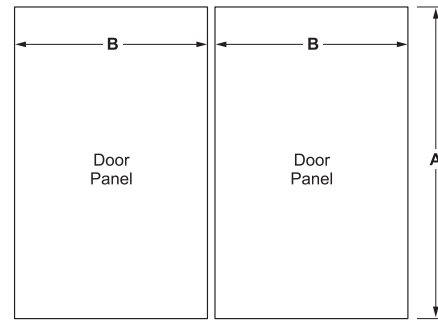
FLUSH 3/4" PANEL DIMENSIONS DUAL INSTALLATION WITH 30" FREEZER, ZIF301NPNII AND 36" REFRIGERATOR, ZIR361NPRII



PANEL DIMENSIONS

A	B	C
79 7/8"	29 9/16"	35 9/16"

FLUSH 3/4" PANEL DIMENSIONS DUAL INSTALLATION 36" FREEZER, ZIF361NPRII AND 36" REFRIGERATOR, ZIR361NPRII



PANEL DIMENSIONS

A	B
79 7/8"	35 9/16"

INTEGRATED INSTALLATION HELPFUL TIPS

Trimmed refrigerators are designed to be customized with decorative panels. Field-installed 3/4" custom door panels are required.

Maximum total panel weight:
 18" & 24" Door Panel - 45 lbs
 30" Door Panel - 48 lbs
 36" Door Panel - 58 lbs

Note: For panels constructed with rails and stiles (5-panel), the rails and stiles must be a minimum of 2" wide.

For Custom Panels: Use templates provided with units to pre-drill holes for mounting panel brackets (provided with unit). Adjustment screws and instructions also provided with units.

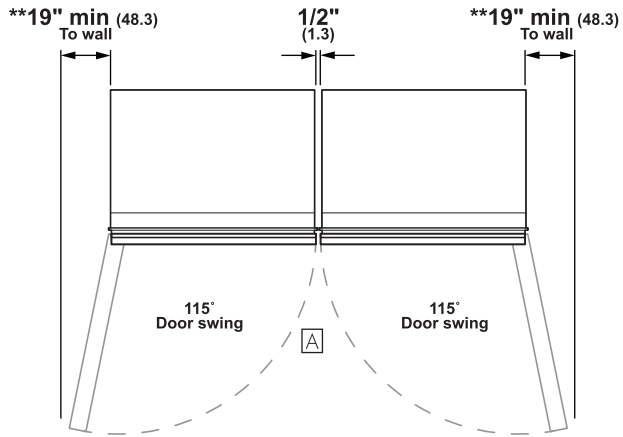
Custom Panels require a custom handle from cabinet maker or the ZKPN kit is required to mount a Statement handle or Minimalist handle.

- Stainless steel handle and panel options:
- ZK1SN189NLH: Left-hand 18" stainless steel door panel
 - ZK1SN184NRH: Right-hand 18" stainless steel door panel
 - ZK1SN249NLH: Left-hand 24" stainless steel door panel
 - ZK1SN244NRH: Right-hand 24" stainless steel door panel
 - ZK1SN309NLH: Left-hand 30" stainless steel door panel
 - ZK1SN304NRH: Right-hand 30" stainless steel door panel
 - ZK1SN364RRH: Right-hinge 36" stainless steel door panel
 - ZK1SN369RLH: Left-hinge 36" stainless steel door panel
 - ZKSP1H1CNSS: Minimalist handle
 - ZKSP1H1PNSS: Statement handle

Dual installation full width toekick options:

- ZKK54P: 54" stainless toekick
- ZKK60P: 60" stainless toekick
- ZKK66R: 66" stainless toekick
- ZKK72R: 72" stainless toekick

DUAL PRODUCT CLEARANCES



** Dimensions based on handle height of 2 9/16" (6.5)

INTEGRATED INSTALLATION

HELPFUL TIPS

- A In a side-by-side installation of a left-and-right-hand door swing product, 1/2" clearance between the units is required. Also required is Side-by-Side Heater/Dual Installation Kit, ZKUN

PRESRV™

BEVERAGE COOLER

SINGLE ZONE

Harmoniously integrate the new Presrv™ Panel Ready Beverage Cooler into any space to match your cabinetry with ease. Featuring a Full-Extension Wood Rack to hold your favorite wine and craft brew;

PreciseTemp™ temperature control for maintaining accurate temperatures; and Active Cooling Technology to ensure even cooling.

ZEPHYR

ZEPHYRONLINE.COM



Shown with overlay panel and matte black handle, not included



Full-Extension Wood Rack



PreciseTemp™

How Presrv™ Stands Out:



PreciseTemp™
Multiple internal sensors help maintain accurate temperatures



Vibration Dampening System
Noise and vibration is reduced to minimize wine disturbance



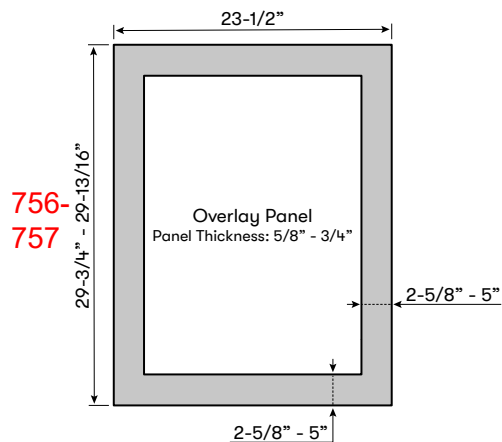
Active Cooling Technology
An on-board computer controls an active cooling fan to provide temperature stability and even cooling



3-Color LED Lighting
Available in Cloud White, Deep Blue and Amber

Overlay Panel Dimensions

597



MODEL

Single Zone Beverage Cooler **PRB24C01BPG**

Size 24"
Dimensions 23-7/8"W x 33-7/8"H x 23-3/4"D*
Weight 110lbs.
Installation Type Compact / Built-in / Freestanding
Refrigerant Type R600a

FEATURES

Capacity 13 bottles (750 ml), 8+ 12oz cans or 7 bottles (750 ml), 112 12oz cans
Volume 5.6 cu/ft
Temperature Range 34° - 50° F
Sound Level 39 dBA
Door Finish Panel Ready + Glass
Cabinet Finish Black
Interior Finish Black
Field-Reversible Door Yes
Zero-Clearance Door Hinge Yes
Door Glass Dual-pane, Low-e Argon-filled**
Shelving - Wood 1 full-extension, black wood rack
Shelving - Beverage 2 adjustable, transparent-gray glass shelves w/ airflow openings
Controls Electronic Capacitive Touch
Lighting 3-Color LED
Panel Ready Cloud White, Deep Blue, Amber
Door Open Alarm Yes, after 3 minutes
Sabbath Mode Yes
Air Filtration Yes, w/ carbon filter
PreciseTemp™ Yes
Active Cooling Technology Yes
Vibration Dampening System Yes

AC POWER 115V, 60Hz at Max. 1.5A

OPTIONAL ACCESSORIES

Contemporary Handle Kit PRHAN-C101 (Stainless Steel)
Contemporary Handle Kit PRHAN-C102 (Brushed Gold)
Contemporary Handle Kit PRHAN-C104 (Matte Black)
Pro Handle Kit PRHAN-C001 (Stainless Steel)
Glass Shelf 50150027

WARRANTY 2 years parts, 5 years compressor
 1 year labor

*Depth dimension based on 3/4" thick panel

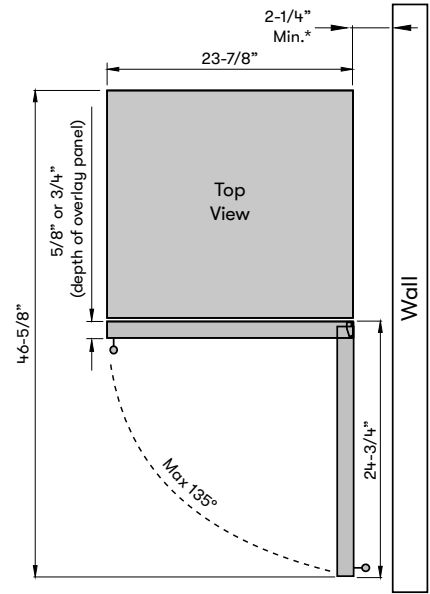


**Dual-pane, argon-filled glass improves insulation to minimize heat exchange and increases soundproofing characteristics. The Low-e coating helps minimize the amount of UV and infrared light that passes through the glass door.

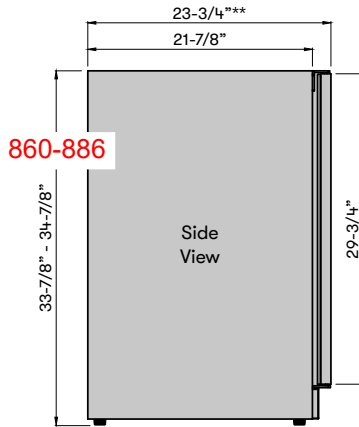
Transforming the Kitchen through Design, Discovery, and Care

Specifications subject to change, check zephyronline.com for up-to-date information.
 Zephyr | 2277 Harbor Bay Parkway, Alameda, CA 94502 | 888.880.8368

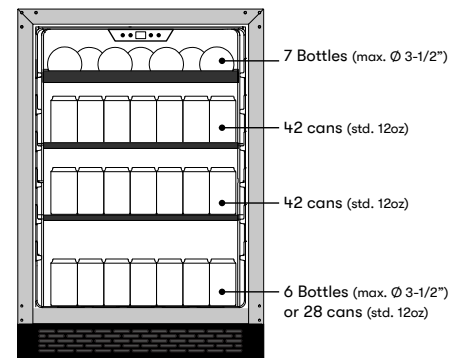
AUG20.0401



*When using an optional Zephyr handle



**Depth with 3/4" thick overlay panel



FEATURED MODEL

523026 36" Single, 9-1/4" bowl depth, White

ADDITIONAL MODELS

523027 36" Single, 9-1/4" bowl depth, Biscuit

FEATURES

- Required outside cabinet: 39"
- Cutting Board included
- Features functional accessory ledge
- Center drain placement
- Fireclay material allows for perfect, smooth, and easy to clean surface
- Ultra durable surface fired at over 2,100 F
- No template or DXF file provided, recommend use of sink for determining final cabinet and countertop dimensions
- Shown with 3-in-1 drain not included
- Apron front is 10" high, rim width is 3/4"

OPTIONAL ACCESSORIES

Stainless Steel Sink Grid: 2246910
 Stainless Steel Dish Rack: 234699
 3-in-1 Basket Strainer: 441231

CODE/STANDARDS COMPLIANCE

ASME 112.19.2/CSA B45.1-2013
 IAPMO/UPC listed

SPECIAL INSTALLATION NOTES -

EXTREME CAUTION: Sinks are extremely heavy. For personal safety, always use extra personal for moving or installation.

REVERSIBLE FRONT APRON: The BLANCO CERANA apron sink is a reversible style design with different installation dimension depending on which front apron side you choose to remain seen after installation. **SPECIAL CARE SHOULD BE TAKEN BY THE COUNTERTOP FABRICATOR TO ENSURE THE CORRECT CUT OUT.** Please note that both long sides of the apron sink have **DIFFERENT RADII** corners which will affect the final installation. Fabricators should take extra care in confirming which front apron side of the sink will be after installation to ensure the stone is cut to the appropriate corner radii.

It is critical that the cabinet maker, cabinet installer, and countertop fabricator fully understand the consumer's requirements regarding the final installed look (either side A or side B facing out).

The cabinet area beneath the sink **MUST** be reinforced to provide sufficient support. A wood or metal support frame for the sink must support 400 pounds.

WARRANTY

Blanco America's FIRECLAY sinks feature a **LIMITED LIFETIME WARRANTY** to be free of all manufacturing defects under normal use. See our complete warranty for details.

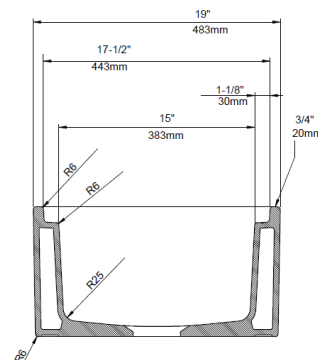
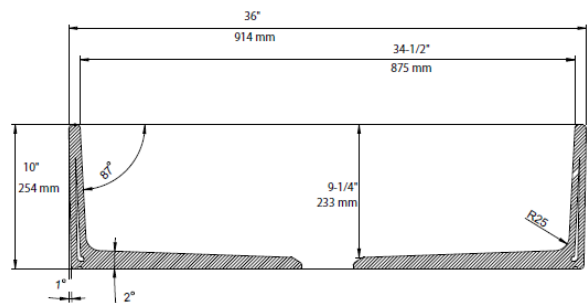
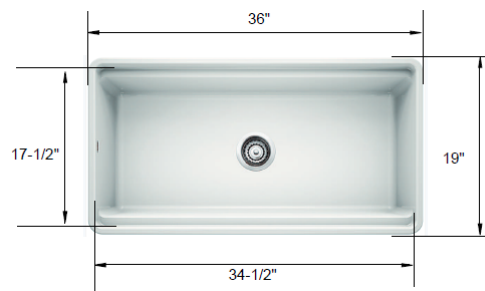
While Blanco America endeavors to provide accurate information, all dimensions are nominal, cannot be guaranteed, and are subject to change or cancellation. Blanco America assumes no responsibility for use of superseded or voided specifications.



NOMINAL DIMENSIONS

Model 523026 shown

OVERALL	BOWL DEPTH	DRAIN
36" x 19"	9-1/4"	3-1/2"



BLANCO AMERICA

800.451.5782

www.blancoamerica.com

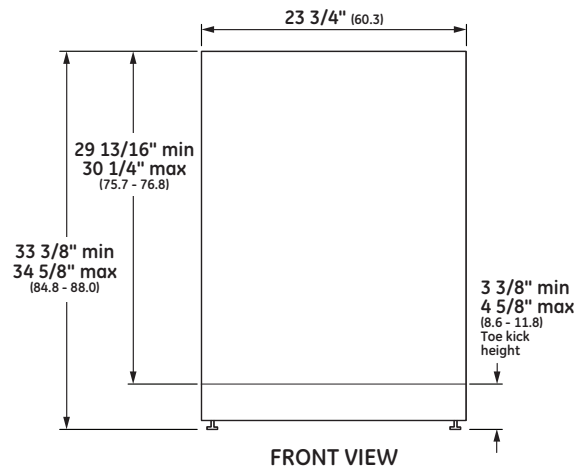
© 2017 BLANCO AMERICA

1/17

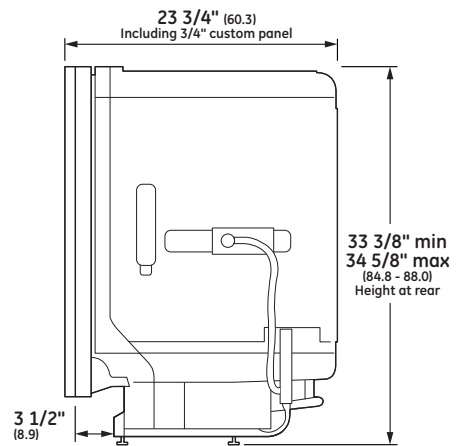
SPEC-001



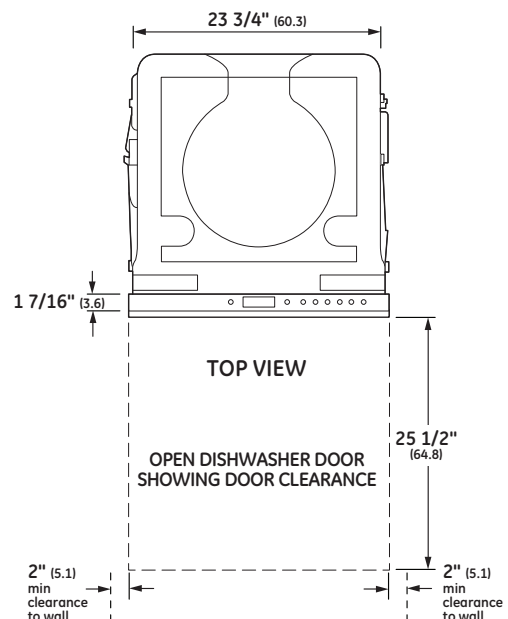
OVERALL DIMENSIONS



FRONT VIEW



SIDE VIEW



TOP VIEW

OPEN DISHWASHER DOOR
SHOWING DOOR CLEARANCE

SPECIFICATIONS

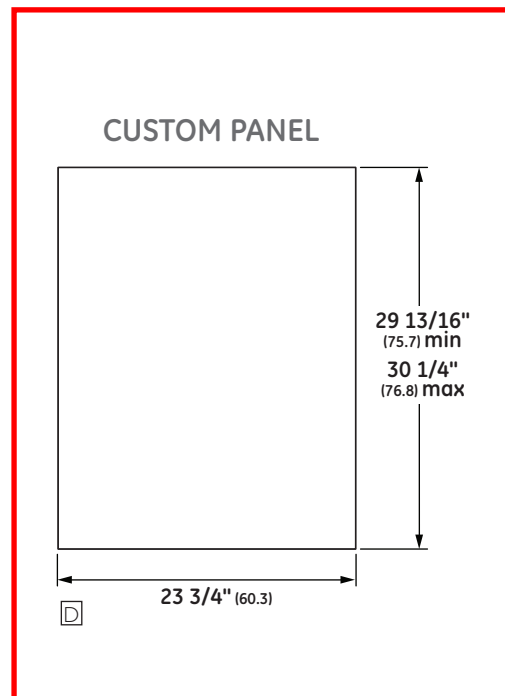
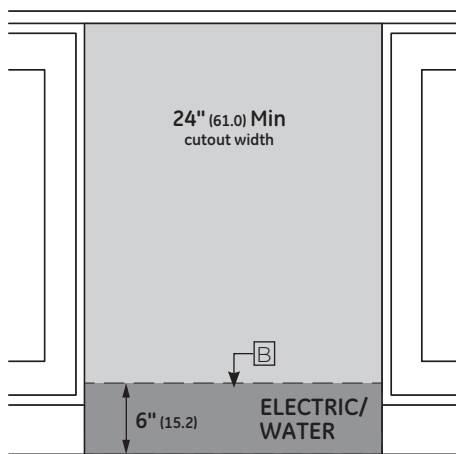
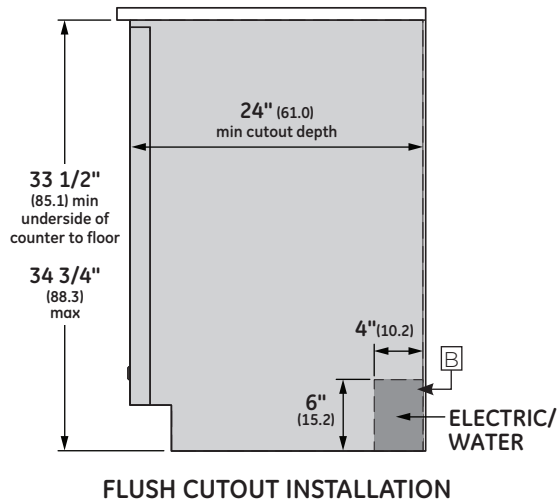
Overall Width	23 3/4" (60.3 cm)
Overall Height	33 3/8" (84.8 cm) Min 34 5/8" (88.0 cm) Max
Overall Depth	23 3/4" (60.3 cm) including 3/4" custom panel
Door Clearance	25 1/2" (64.8 cm)
Overall Dishwasher Capacity	16 Place Settings
Minimum Cabinet Width	24" (61 cm)
Minimum Cabinet Depth	24" (61 cm)
Cutout Width	24" (61 cm)
Cutout Height	33 1/2" (85.1 cm) Min 34 3/4" (88.3 cm) Max
Electrical Requirements	10.2 A
Hose Length	No more than 12' (3.7 m)
Voltz/Hertz/Amps	115 V, 60 Hz, 15 or 20 amp circuit
Shipping Weight	119 lb (54 kg)

Dimensions in parentheses are in centimeters unless otherwise noted.

ELEVATE EVERYTHING™



INSTALLATION



NOTES

- Ⓐ The dishwasher drain hose must be no more than 12 feet in length for proper drainage.
- Ⓑ Electrical connections are at the right front of the dishwasher and water connections are on the left. The hot water line should extend forward 30" to 40" from the rear wall. The electrical must extend forward at least 24" to reach the junction box.
- Ⓒ To prevent siphoning, an air gap or high drain loop must be used.
- Ⓓ A custom panel installation template (Part. No. WD35X25996) is available from GE Parts and Accessories (US 800.626.2002, Canada 800.561.3344).