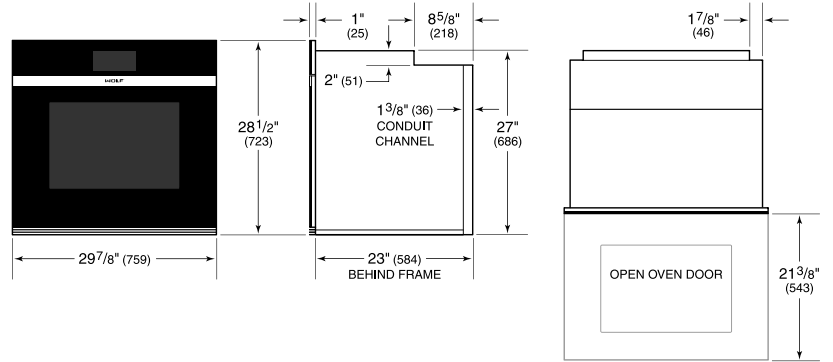


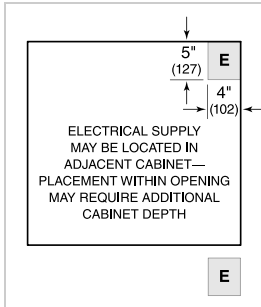
**PRODUCT SPECIFICATIONS**

Model	<b>SO30CM/B</b>
Dimensions	29 7/8"W x 28 1/2"H x 23"D
Oven 1 Interior Dimensions	25 1/4"W x 17 1/2"H x 19 7/8"D
Overall Capacity	5.1 cu ft
Usable Capacity	3.3 cu ft
Door Clearance	21 3/8"
Weight	273 lb
Electrical Supply	240/208 VAC, 60 Hz
Electrical Service	30 amp dedicated circuit
Conduit Length	4 feet

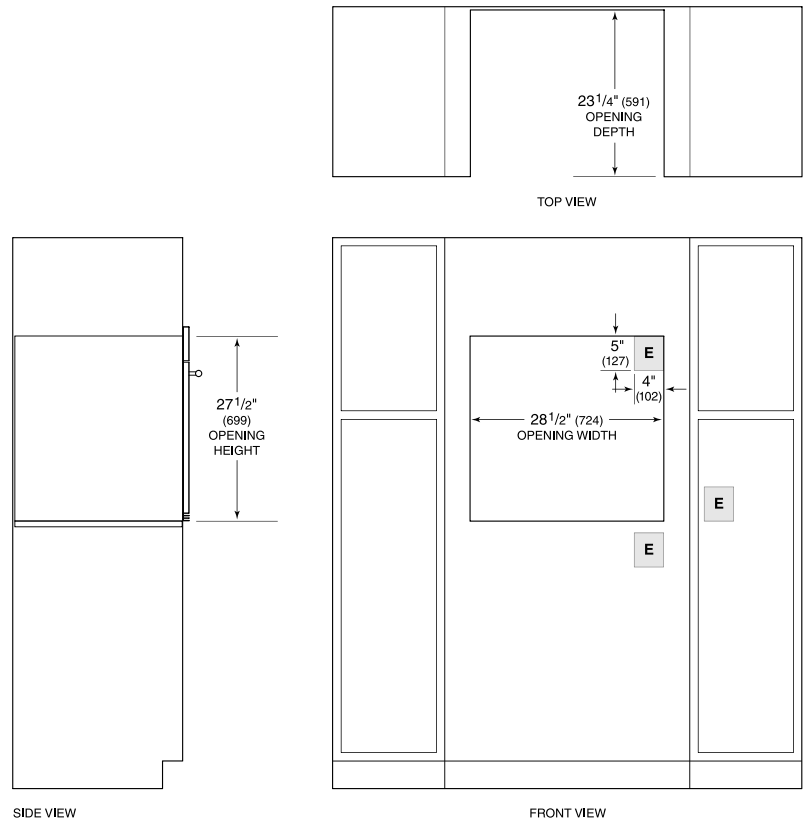
**DIMENSIONS**



**ELECTRICAL**



**STANDARD INSTALLATION**

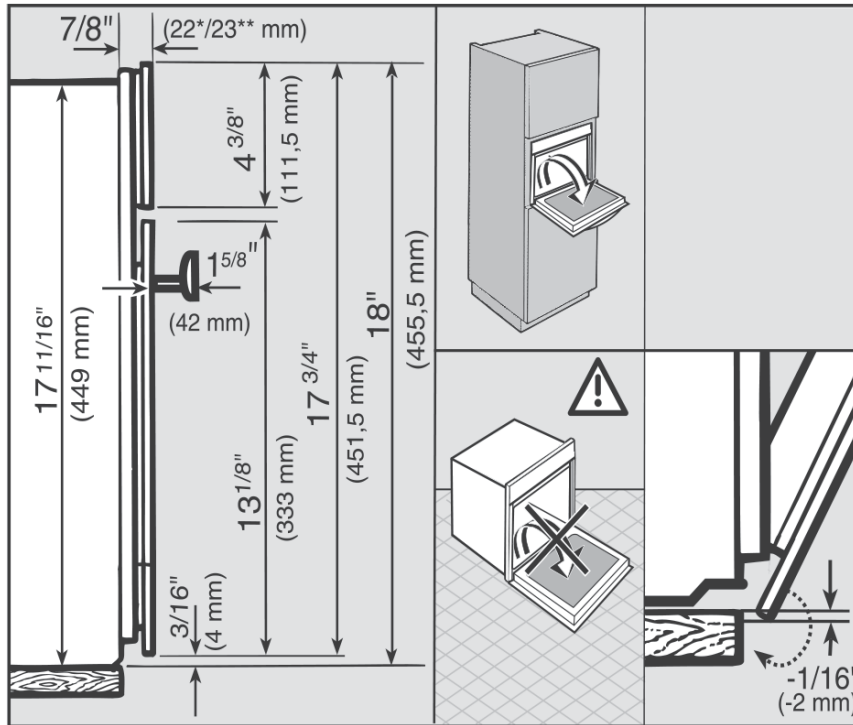


NOTE: Location of electrical supply within opening may require additional cabinet depth.

PureLine Combi-Steam Oven  
**DGC 6800-1 XL GRGR**

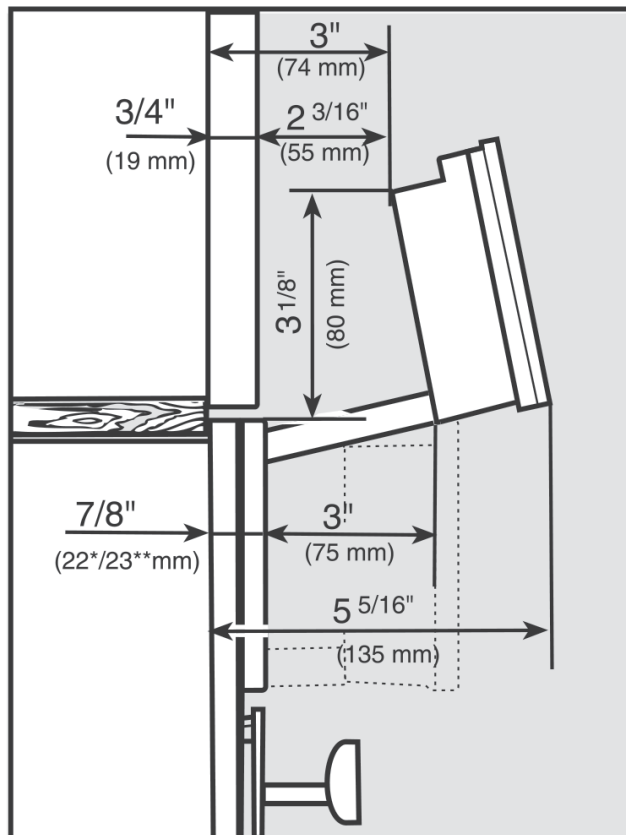
## INSTALLATION SPECIFICATIONS

Door Swing and Face Detail



- \* Appliances with glass front
- \*\* Appliances with metal front

Control Panel Swivel View



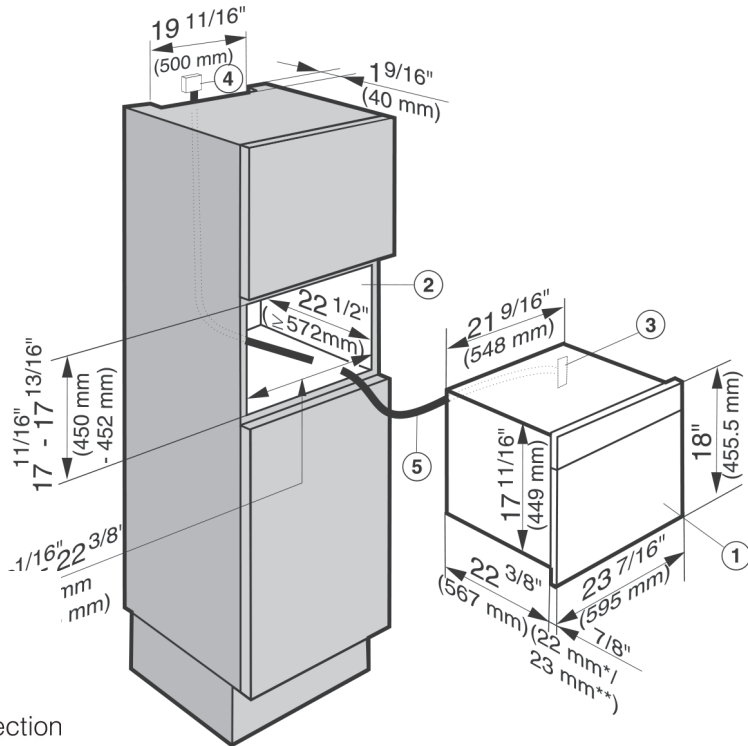
- \* Appliances with glass front
- \*\* Appliances with metal front

Please note the DGC 6800-1 XL is shown

## PureLine Combi-Steam Oven DGC 6800-1 XL GRGR

### INSTALLATION SPECIFICATIONS

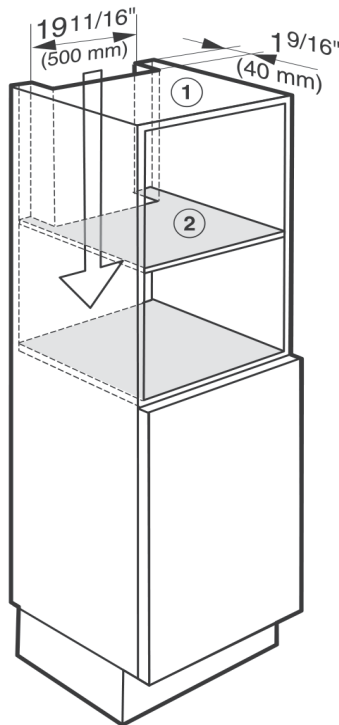
#### Tall Cabinet Installation



- \* Appliances with glass front
- \*\* Appliances with metal front

- ① Combi Steam Oven
- ② Installation niche
- ③ Power supply to the appliance
- ④ Recommended location for electrical connection
- ⑤ Power cord

#### Tall Cabinet Installation — Venting Requirements



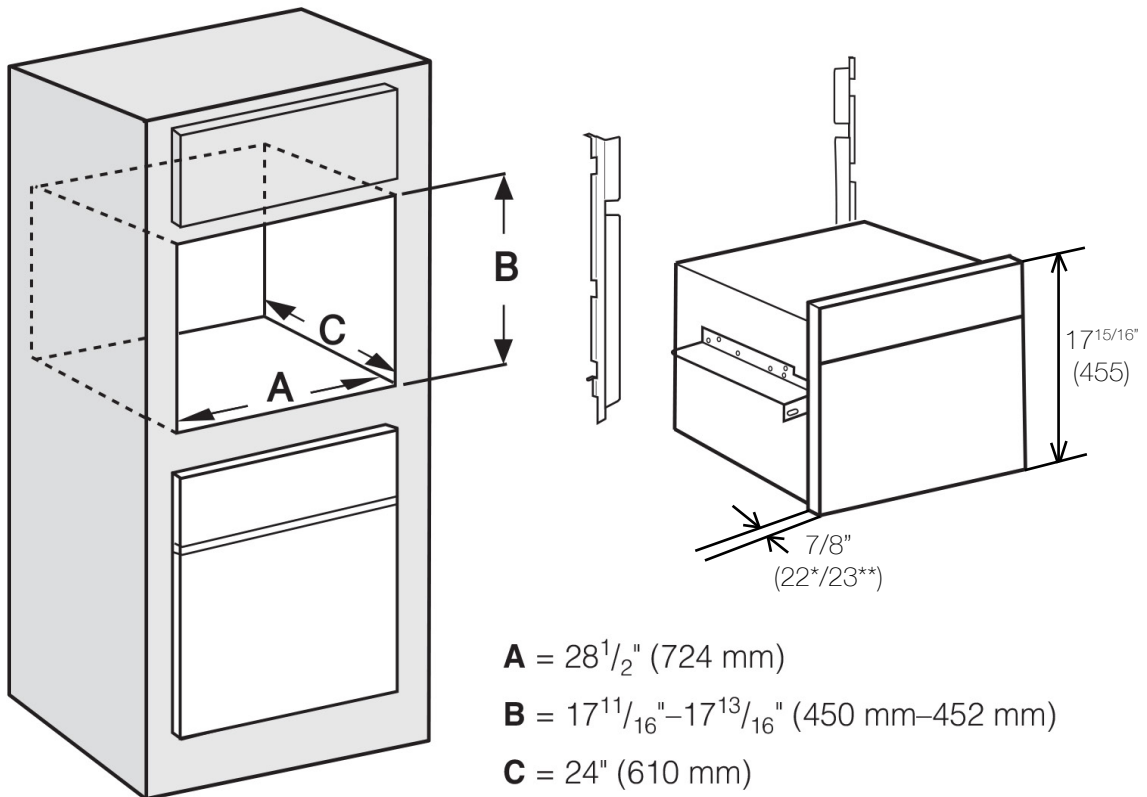
To ensure that the Combi Steam Oven has adequate ventilation, the following cut-outs measuring 19 11/16" x 1 9/16" (500 x 40 mm) must be made:

- ① in the top of the cabinet
- ② in the center shelf above the installation niche

Please note the DGC 6800-1 XL is shown

## INSTALLATION SPECIFICATIONS

### Installation In Tall Niche



\*Trim Kit with glass front

\*\*Trim Kit with metal front

Follow the appliance's installation directions for plumbing, electrical, and ventilation.

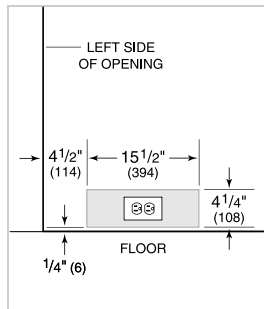
# 36" INTEGRATED OVER-AND-UNDER REFRIGERATOR INTERNAL DISPENSER - PANEL READY



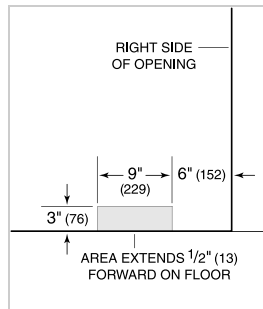
## PRODUCT SPECIFICATIONS

Model	IT-36RID
Dimensions	36"W x 84"H x 24"D
Door Clearance	34 1/2"
Drawer Clearance	18 3/8"
Weight	460 lb
Refrigerator Capacity	20.5 cu ft
Electrical Supply	115 VAC, 60 Hz
Electrical Service	15 amp dedicated circuit
Receptacle	3-prong grounding-type

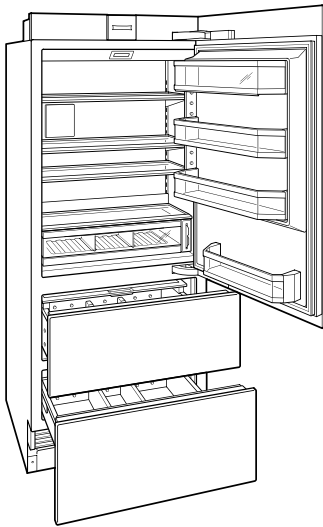
## ELECTRICAL



## PLUMBING

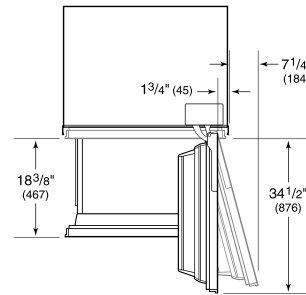
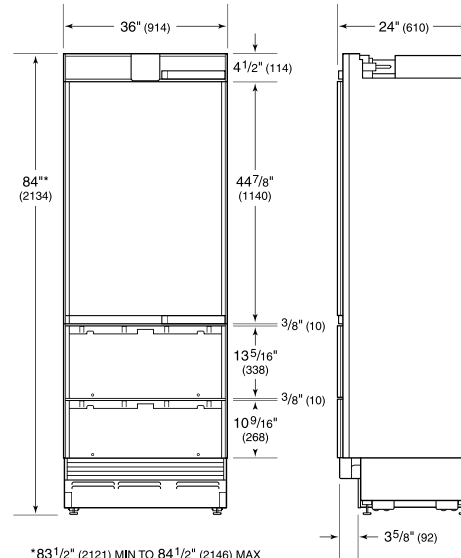


## INTERIOR VIEW

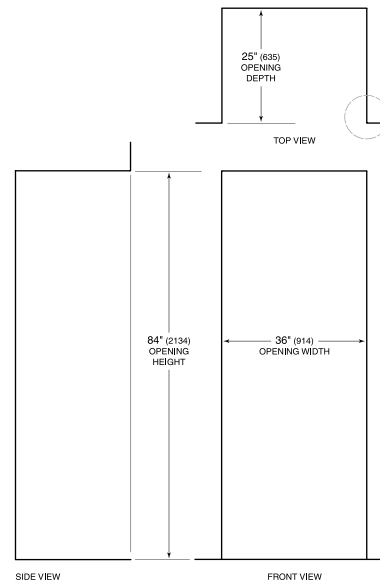


This illustration is intended for interior reference only and may not represent the exterior of the model being specified.

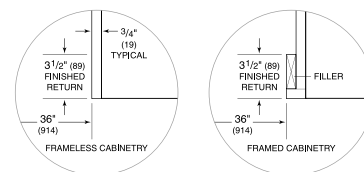
## DIMENSIONS



## STANDARD INSTALLATION

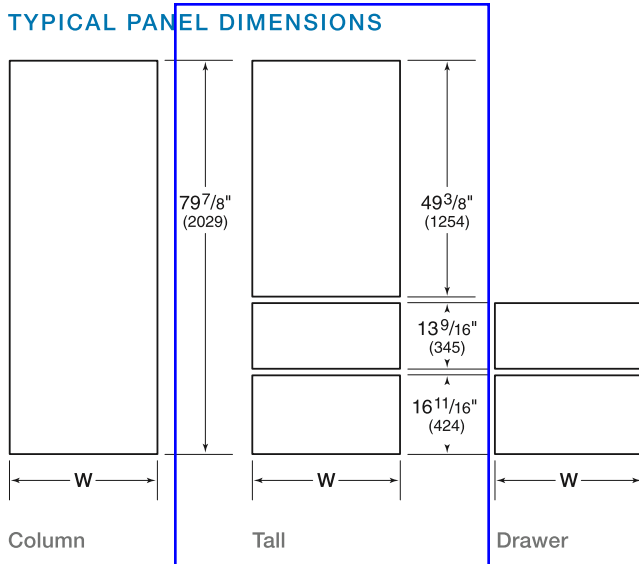


NOTE: 3/2" (89) finished returns will be visible and should be finished to match cabinetry.



### Custom Panels

#### TYPICAL PANEL DIMENSIONS



Typical panel dimensions are based on an 84" (2134) finished height for column and tall models and 34 1/2" (876) for drawer models, with a 4" (102) toe kick and 1/8" (3) reveals. Panel dimensions must be adjusted accordingly for all other installations. Refer to the illustration for panel heights and the chart below for panel widths.

PANEL WIDTH	W
18" Model	17 3/4" (451)
24" Model	23 3/4" (603)
27" Model	26 3/4" (679)
30" Model	29 3/4" (756)
36" Model	35 3/4" (908)

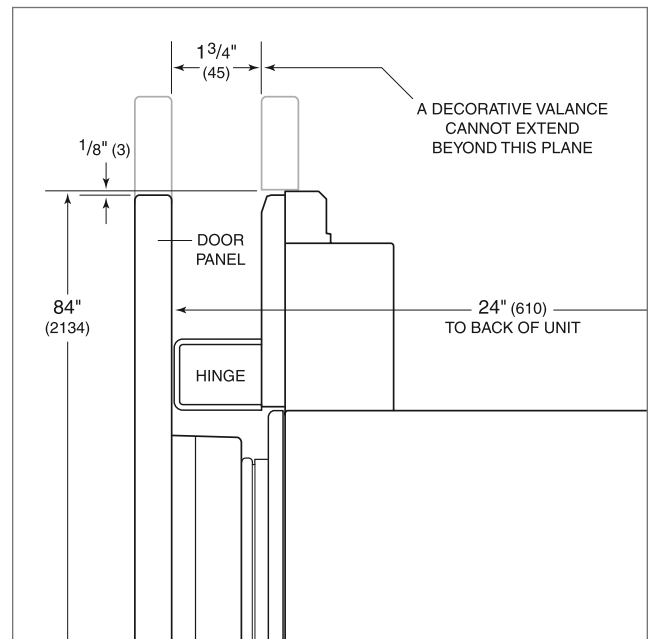
#### DUAL INSTALLATION

For dual installations, refer to the illustration for panel heights and the chart below for panel widths.

PANEL WIDTH	W
18" Model	17 13/16" (452)
24" Model	23 13/16" (605)
27" Model	26 13/16" (681)
30" Model	29 13/16" (757)
36" Model	35 13/16" (910)

#### DOOR PANEL HEIGHT

The height of the custom door panel can extend beyond the typical panel height, provided it does not exceed the weight limit. Refer to the illustration below.

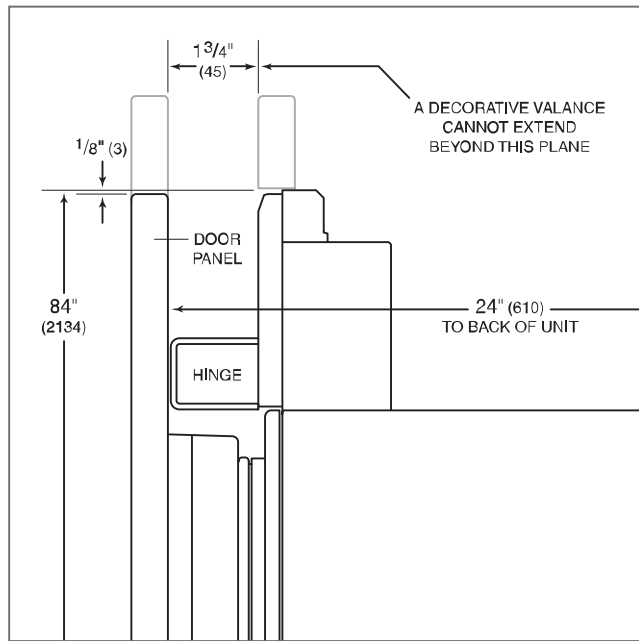


Upper valance—column and tall (side view).

## Custom Panel—Integrated

### DOOR PANEL HEIGHT

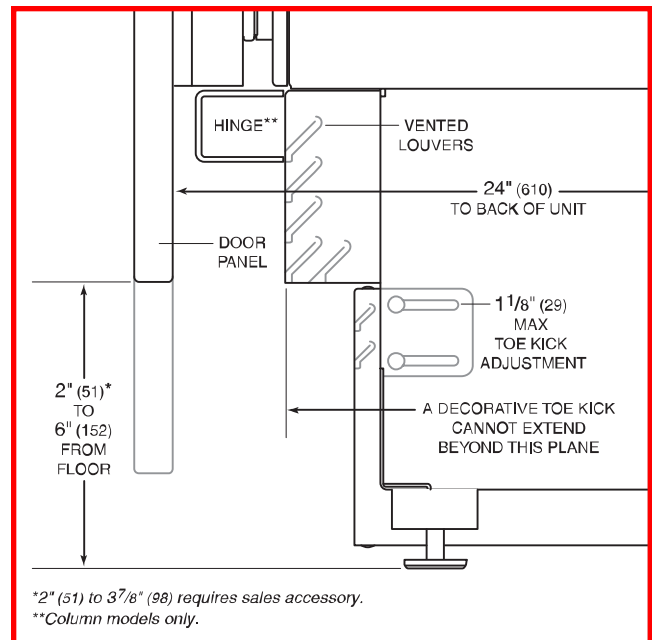
The height of the custom door panel can extend beyond the typical panel height, provided it does not exceed the weight limit. Refer to the illustration below.



Upper valance (side view)

### TOE KICK CLEARANCE

The height of the toe kick area can extend beyond the typical toe kick height, provided it does not exceed the dimensions in the illustration below. Toe kick heights from 2" (51) to 3 7/8" (98) require a reduced toe kick accessory available through an authorized Sub-Zero dealer. For local dealer information, visit the find a showroom section of our website, subzero.com. For questions regarding the installation, call Sub-Zero Customer Care at 800-222-7820.



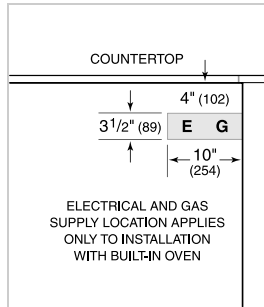
Toe kick (side view)

\*2" (51) to 3 7/8" (98) requires sales accessory.  
 \*\*Column models only.

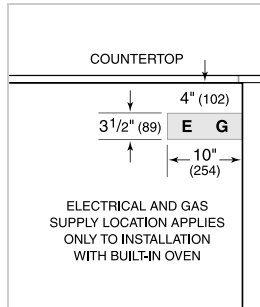
**PRODUCT SPECIFICATIONS**

Model	<b>CG365T/S</b>
Dimensions	36"W x 4"H x 21"D
Weight	67 lbs
Electrical Supply	120 VAC, 60 Hz
Electrical Service	15 amp dedicated circuit
Gas Supply	3/4" ID line
Gas Inlet	1/2" NPT female

**ELECTRICAL**

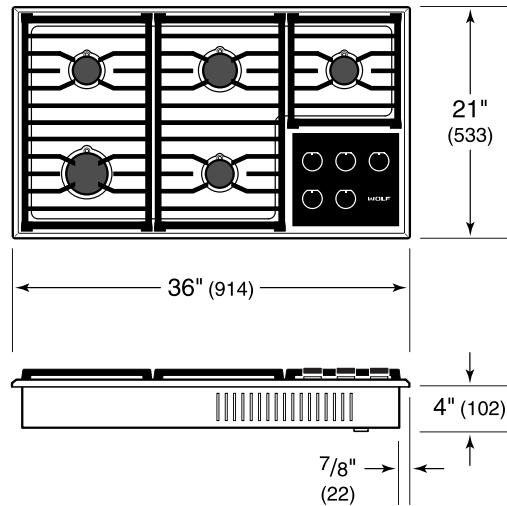


**GAS**

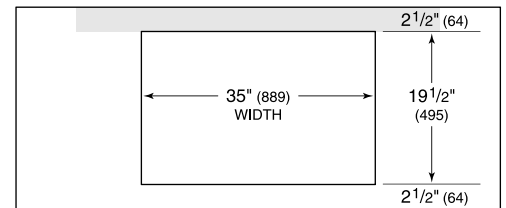


**NOTE:** Dimensions in parenthesis are in millimeters unless otherwise specified

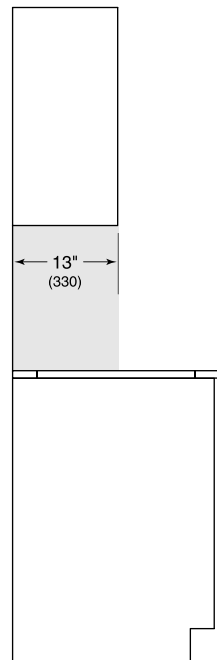
**DIMENSIONS**



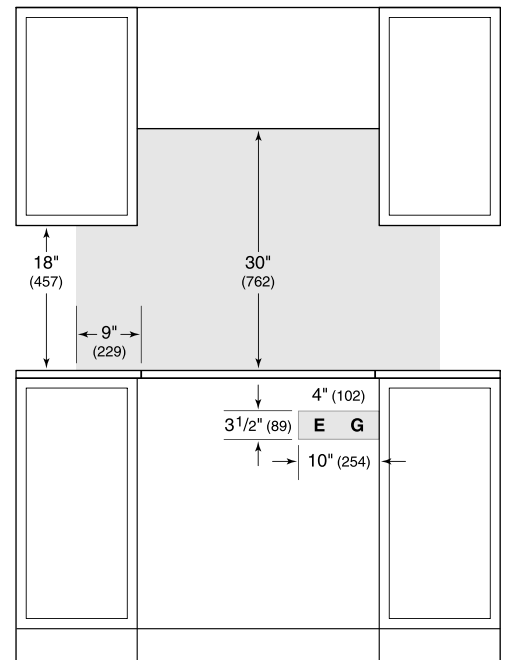
**STANDARD INSTALLATION**



COUNTERTOP CUT-OUT



SIDE VIEW

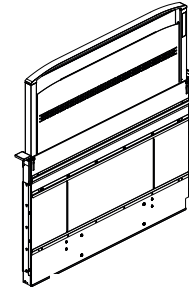


FRONT VIEW

**NOTE:** Shaded area above countertop indicates minimum clearance to combustible surfaces, combustible materials cannot be located within this area. Electrical and gas supply location only applies to installations with built-in oven.



# CATTURA™ DOWNDRAFT MODELS D49M30SB, D49M36SB, D49M48SB, D49M30BLS, D49M36BLS



Powerful VERTEX™ Complete Capture Design rivals the finest island hoods. Compact design allows the choice of many cooktop styles, free-standing and built-in ranges for island or wall applications.

**FEATURES**

**HOUSING:**

- Galvanized steel construction
- Left, right, front, below or rear discharge
- Flexible installation - can be used with cooktops, rangetops, slide-in, and free-standing ranges
- 30", 36", or 48" widths - Fits standard-size cabinets (Some blower configurations may require deeper cabinets.)
- For indoor domestic use only

**CHIMNEY ASSEMBLY:**

- Quiet actuation linear drive system
- Chimney rises 18" when activated - ideal for tall pots
- Aluminum mesh filters - easy to remove, dishwasher-safe
- 304 stainless steel chimney - makes cleanup quick and easy
- 4-speed capacitive-touch control, with delay off and filter clean reminder
- Heat Sentry™ adjusts speed of blower in case of excess heat
- 2-level LED task light. 7W (30"), 14W (36"), 18W (48")
- Up to 100% capture - equal to comparable island hoods

**TRIM / DOOR:**

- Low profile
- 304 stainless steel construction
- Articulating door to hide chimney when retracted
- Integrated, capacitive-touch UP button

**BLOWER (sold separately):**

- Compatible with quiet and efficient 600 cfm Flex Blower - Model PF6
  - Permanently lubricated, thermally-protected motor
  - Neoprene, resilient anti-vibration mounts
  - Can be mounted directly to downdraft or mounted remotely
  - Uses standard 8" or 10" round duct
  - Can be rotated on housing to exhaust left, right or down
  - Compatible with in-line/exterior blower models: EB6, EB9\*, EB12\*, EB15\*, ILB3, ILB6, ILB9, ILB11\*
- \*Recommended models*

**TYPICAL SPECIFICATION**

Downdraft blower system shall be Best® Model D49M30SB, (D49M36SB), (D49M48SB), (D49M30BLS) or (D49M36BLS).

Unit to have stainless steel housing. Chimney to rise 18" and have 304 stainless steel construction for ease of cleaning.

Filters to be aluminum mesh, easy to remove and dishwasher-safe.

Flex blower will connect directly to 8" round duct. Remote blower will connect directly to 10" round duct. Blower to discharge left, right, front, below or rear.

Motor shall be mounted to blower assembly with grease resistant anti-vibration mounts, be removable, and lifetime lubricated.

Unit to include Heat Sentry™, to adjust blower speed in case of excess heat.

Unit to include trim / door to hide chimney when retracted.

Downdraft system shall operate on 120 VAC and be able to be plugged into a standard grounded outlet. It will have a 4-speed blower control, with delay off, and filter clean reminder.

Downdraft shall include 2-level LED task lighting.

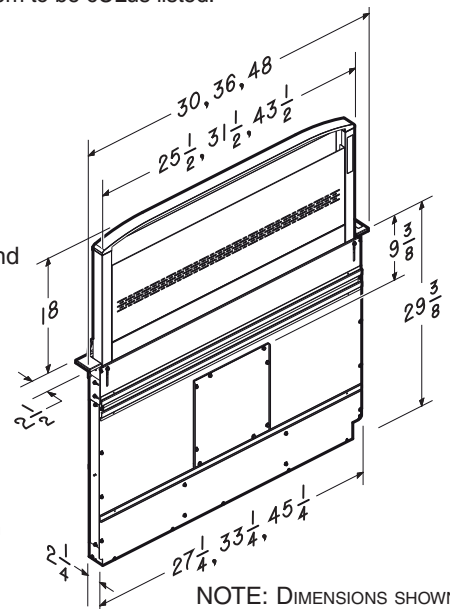
Downdraft blower system to be cULus listed.

**SPECIFICATIONS**

- Volts: 120
- Hz: 60
- Amps: 3.2
- Duct: 8" or 10" Round



NOTE: Dimensions shown are for reference only. Before cutting out countertop, refer to instructions packed with downdraft and cooktop.



NOTE: DIMENSIONS SHOWN ARE IN INCHES.

BEST Hartford, Wisconsin www.BestRangeHoods.com 800-558-1711  
BEST Drummondville, QC, Canada www.BestRangeHoods.ca 866-737-7770

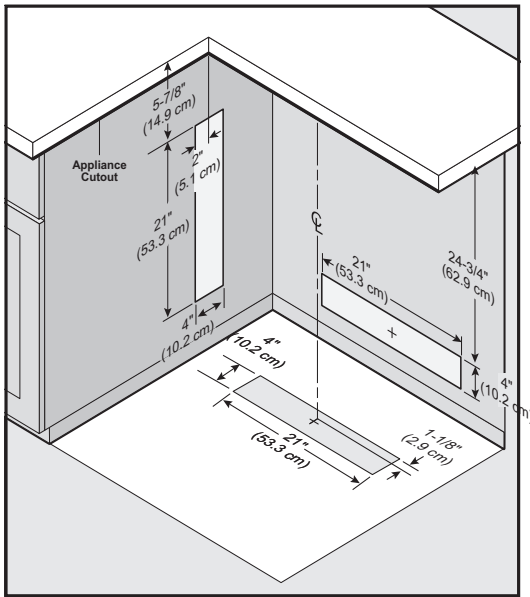
REFERENCE	QTY.	REMARKS	Project
			Location
			Architect
			Engineer
			Contractor
			Submitted by Date

**CABINET CUTOUTS**

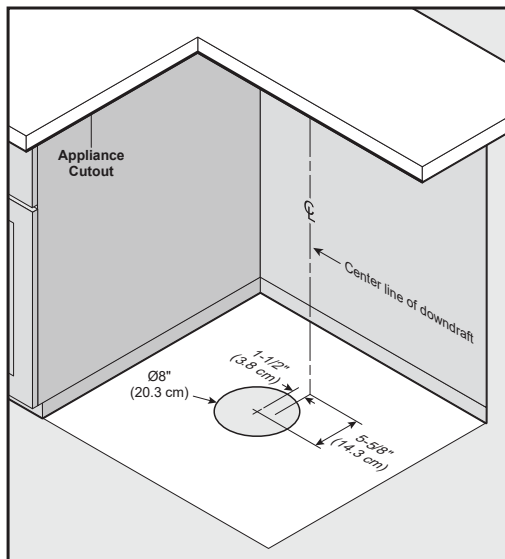


**CAUTION: BEFORE CUTTING HOLE IN CABINET FOR DUCTWORK, check for interference with floor joists, wall studs, electrical wiring or plumbing.**

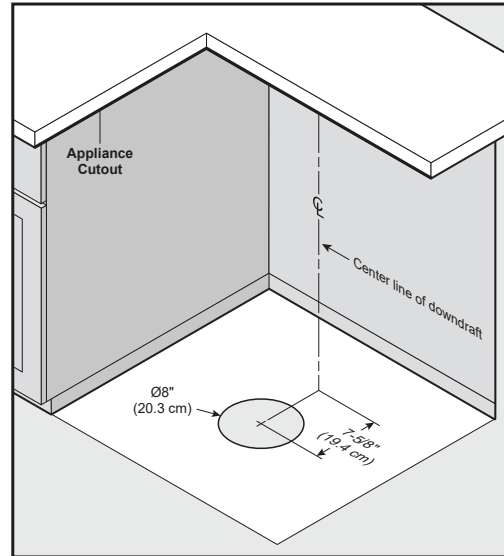
**Below, Side or Rear Ducting Cutouts**



**Flex Blower Ducting Cutout**

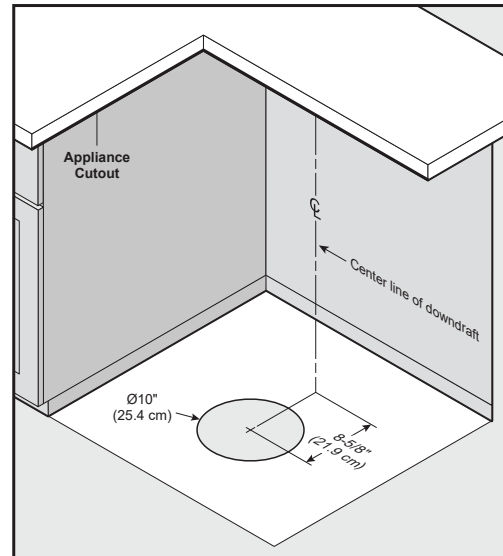


**Flex Blower Ducting – Remote Location Cutout**



*Dimensions based off of Model 432 - 8" round elbow*

**10" Exterior or In-line Blower Ducting Cutout**



*Dimensions based off of Model 418 - 10" round elbow*

Use the dimensions in illustrations to help plan how and where to provide duct access through your cabinet. A 1-7/8" x 19" rectangular duct can be used through left, right, floor and back of cabinet. Also, 8" round or 10" round can be used through cabinet floor.

**For left, right, or rear exhaust:**

Allow at least 18" for transition and elbow or blower.

**For left / right exhaust:**

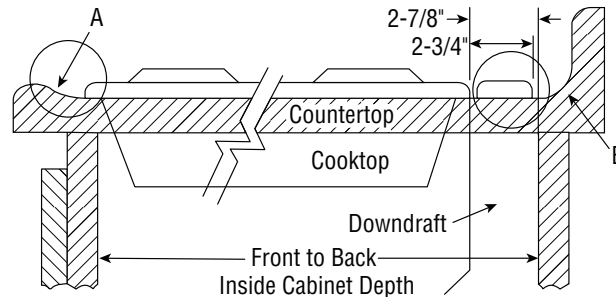
A 30" deep cabinet is recommended to align properly with flex blower. Flex blower can be mounted to rear cabinet wall or to a platform / frame (not provided) on the base of the cabinet floor. (See flex blower instructions).

Cabinet depths of 24" to 30" are required - depending on the type of cooking appliance.

## ELECTRICAL PANEL

The unit has a 30-in. power cord with a 3-pronged plug. Plan to provide a grounded outlet within reach of this cord.

## DOWNDRAFT

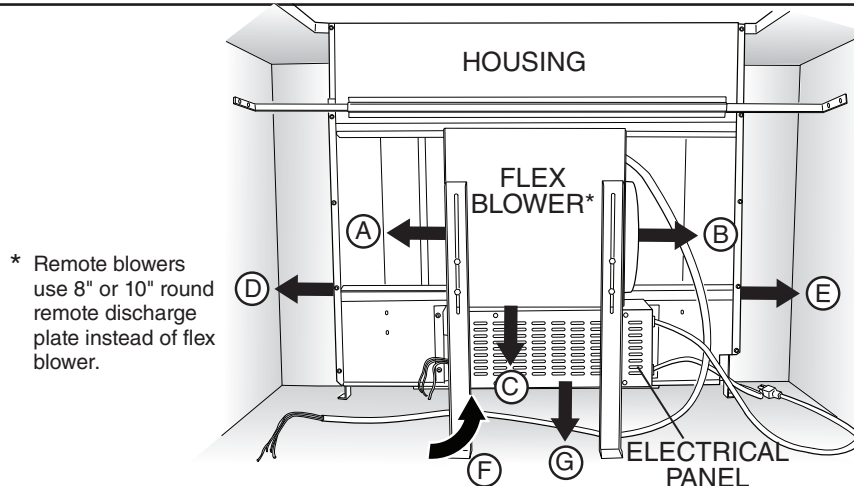


Refer to the cooktop installation instructions for dimensions of cooktop, countertop cut-out, and cabinet requirements. However, it is recommended that oversized cabinets be used for easier installation. Custom island designs need to account for deeper cabinets - especially when installed with a range in front of the downdraft or when mounting the blower behind the downdraft. You must also plan for an access door.

Cooktop depth can vary greatly from one to another. This may cause the fit of these two appliances to be rather tight.

Pay special attention to the areas of potential interference highlighted above. A countertop with (A) a raised lip and/or (B) a backsplash may not allow enough flat countertop for a proper installation. Note that 2-3/4" of flat countertop is required behind cooktop and that 2-7/8" is necessary between the back edge of the cooktop and the inside of cabinet back.

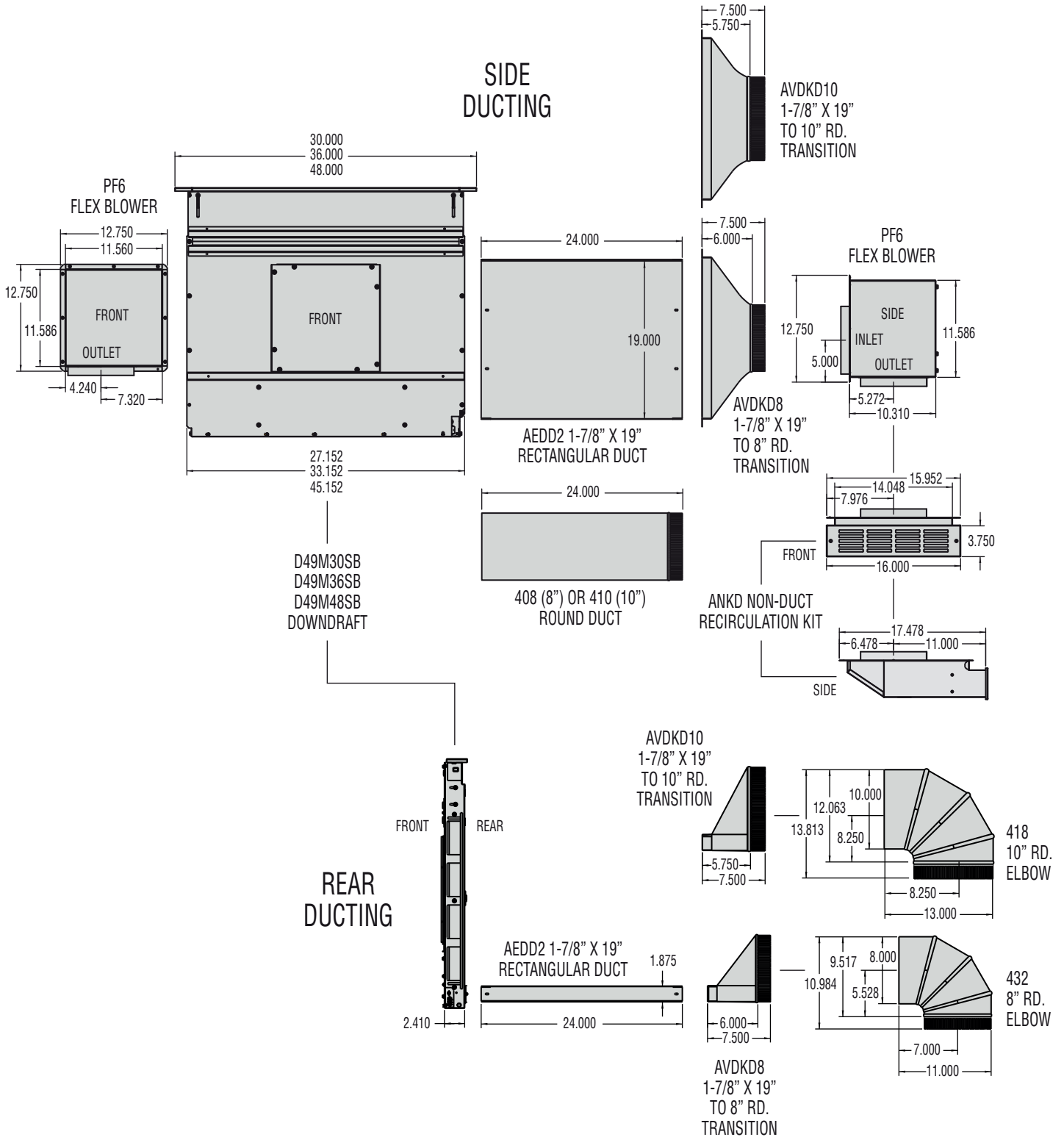
## DUCTWORK



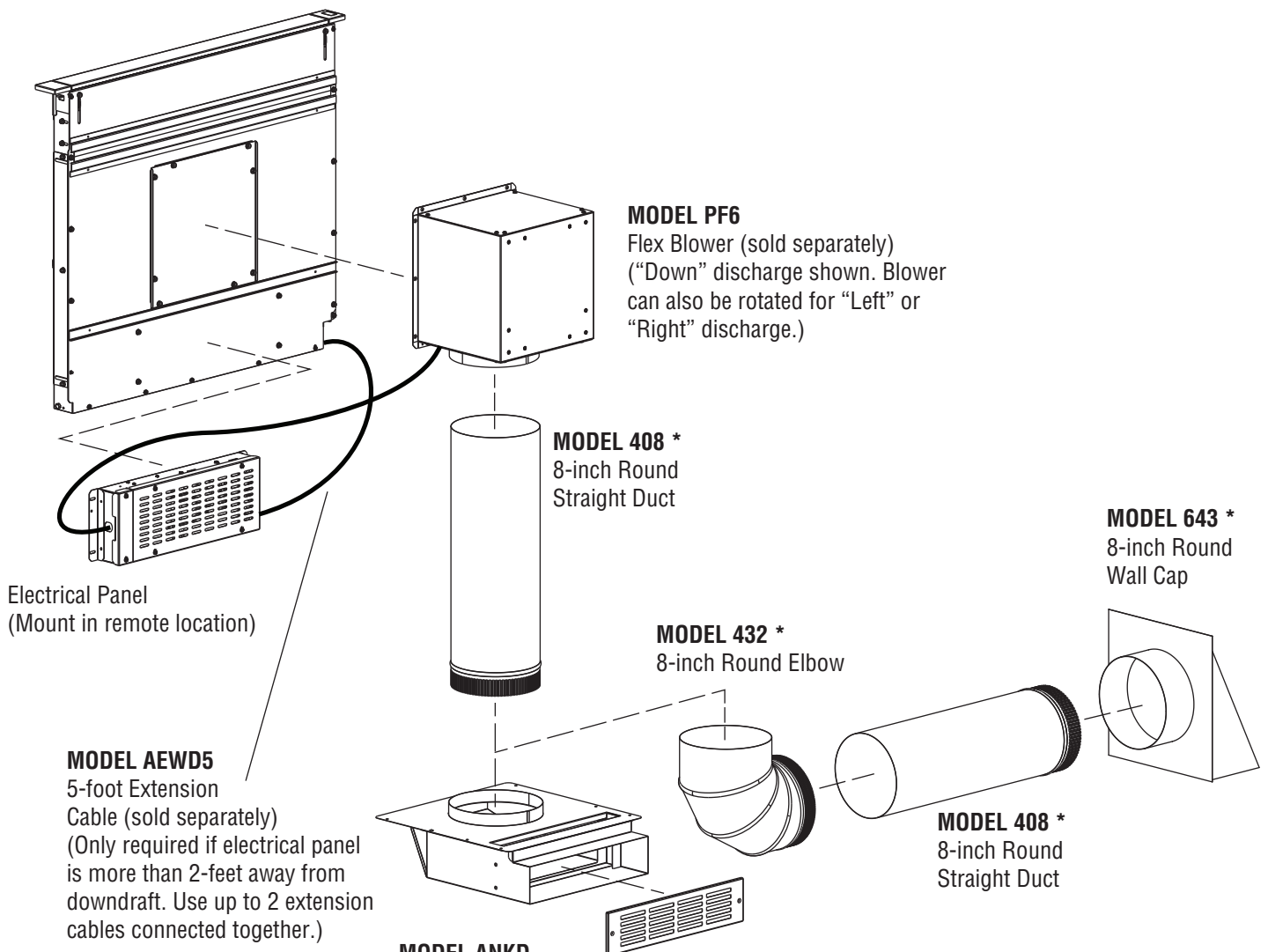
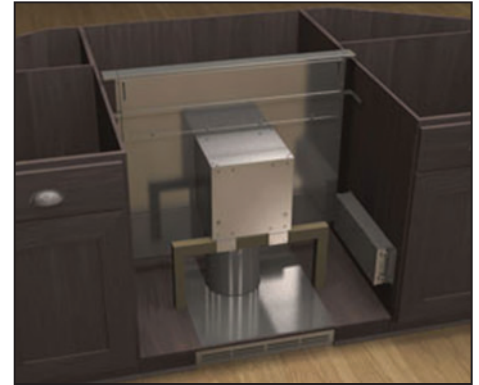
The downdraft blower system is designed for use with 8" round ductwork using a Flex Blower or 10" round ductwork using a remote blower. (Purchase blowers separately.) Seven (7) different discharge connections are available - with side-to-side adjustment for accurate alignment of ductwork:

- A = 8" Round, Left Discharge out of Flex Blower
- B = 8" Round, Right Discharge out of Flex Blower
- C = 8" Round, Down Discharge out of Flex Blower (Electrical Panel to be mounted remotely)
- D = 1-7/8" x 19", Left Discharge out of Housing to Remote Blower or Flex Blower in remote location. Use 1-7/8" x 19" to 8" round transition, 1-7/8" x 19" to 10" round transition, or 1-7/8" x 19" ductwork as appropriate.
- E = 1-7/8" x 19", Right Discharge out of Housing to Remote Blower or Flex Blower in remote location. Use 1-7/8" x 19" to 8" round transition, 1-7/8" x 19" to 10" round transition, or 1-7/8" x 19" ductwork as appropriate.
- F = 1-7/8" x 19", Rear Discharge out of Housing to Remote Blower or Flex Blower in remote location. Use 1-7/8" x 19" to 8" round transition, 1-7/8" x 19" to 10" round transition, or 1-7/8" x 19" ductwork as appropriate.
- G = 1-7/8" x 19", Below Discharge out of Housing to Remote Blower or Flex Blower in remote location. Use 1-7/8" x 19" to 8" round transition, 1-7/8" x 19" to 10" round transition, or 1-7/8" x 19" ductwork as appropriate.

For best performance: Choose the ducting option which allows the shortest length of ductwork and a minimum number of elbows and transitions. Check location of floor joists, wall studs, electrical wiring or plumbing for possible interference.



- **Flex Blower (PF6) attached to front of Downdraft in cabinet**
- **Ducted to Wall Cap or Non-Duct Recirculation Kit**



**MODEL PF6**  
Flex Blower (sold separately)  
("Down" discharge shown. Blower can also be rotated for "Left" or "Right" discharge.)

**MODEL 408 \***  
8-inch Round Straight Duct

**MODEL 643 \***  
8-inch Round Wall Cap

**MODEL 432 \***  
8-inch Round Elbow

**MODEL 408 \***  
8-inch Round Straight Duct

Electrical Panel  
(Mount in remote location)

**MODEL AEWD5**  
5-foot Extension Cable (sold separately)  
(Only required if electrical panel is more than 2-feet away from downdraft. Use up to 2 extension cables connected together.)

**MODEL ANKD**  
Non-Duct Recirculation Kit with Kickspace Grille (sold separately)  
(Only required for non-duct applications. "Front" discharge shown. Kit can also be rotated for "Left", "Right" or "Rear" discharge.)

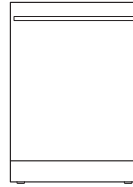
\* As required - sold separately.

## COVE DISHWASHERS

### Cove Dishwashers

Cove dishwashers clean to a higher standard. They are built to ensure that every dish and utensil—including plastic containers, heavy saucepans, wire whisks, and even delicate china plates—emerge from the dishwasher spotlessly clean and dry. With a vast array of custom wash and dry options and interiors that adjust to accommodate any size or combination of dishes, Cove offers a clean you will never have to second-guess. Both models can be fully integrated with custom cabinetry or stainless steel panels to complement any kitchen design.

### DISHWASHER MODELS



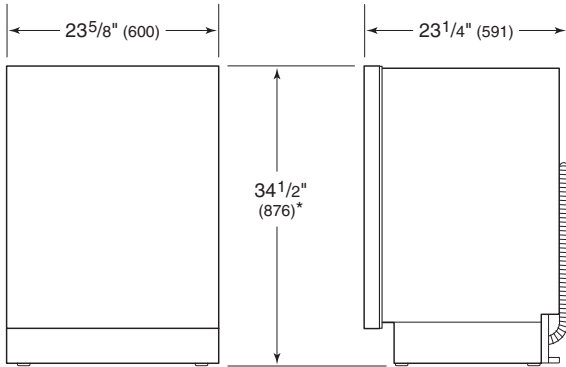
DW2450



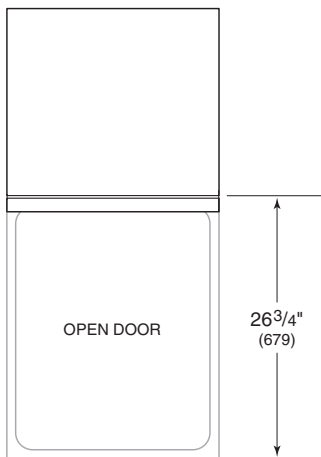
DW2450WS  
WATER SOFTENER

### Overall Dimensions

#### DISHWASHER



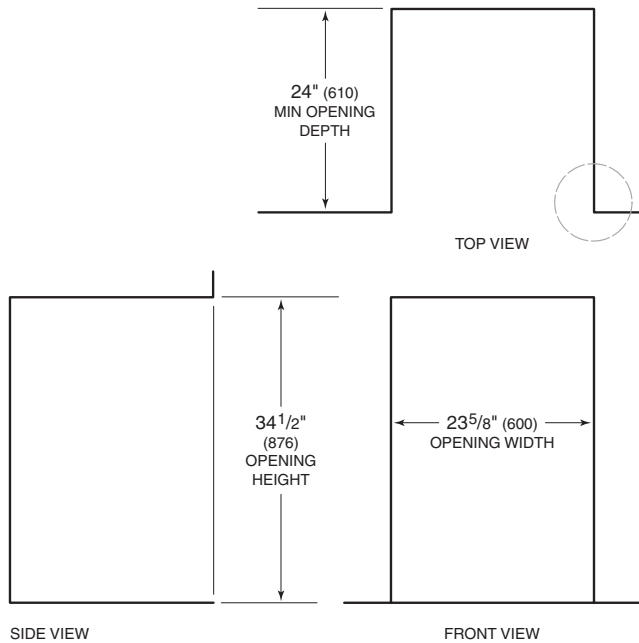
\* $34''$  (864) MIN TO  $34\frac{5}{8}''$  (880) MAX



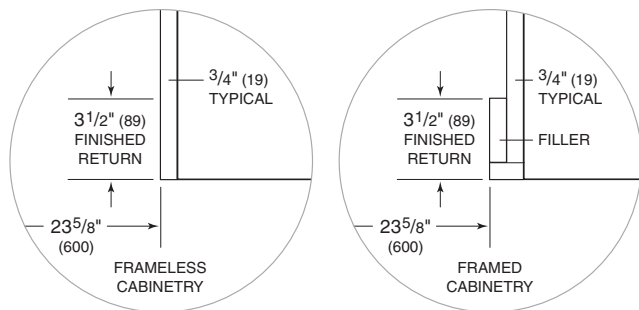
**IMPORTANT NOTE:** Overall dimensions do not include the door panel or handle. Dimensions will vary with panel thickness.

## Opening Dimensions

### DISHWASHER



NOTE: 3 1/2" (89) finished returns will be visible and should be finished to match cabinetry.



### OPENING WIDTH

Cove dishwashers accommodate varying opening widths. A 23 5/8" (60 cm) width provides minimum reveals and is ideal for new construction. A 24" (610) width is also common; however, reveals for a 24" (610) opening will be larger than the reveals for a 23 5/8" (60 cm) opening unless the panel width is adjusted accordingly. Refer to page 7 for more information.

### OPENING HEIGHT

Cove dishwashers accommodate varying opening heights. A 34 1/2" (876) height is typical. The unit allows for 5/8" (16) of total height adjustment. Refer to page 4 for more information.

### OPENING DEPTH

Allow for panel thickness when planning the finished opening depth. Panels thicker than 3/4" (19) require additional depth if the unit is being installed flush. A minimum 3 1/2" (89) finished return is required on all sides of the opening. Framed cabinets require additional finished filler material behind the face frame for a proper installation. Refer to the illustration.



## Door Panel

### CUSTOM PANEL

**IMPORTANT NOTE:** The dishwasher opening width determines the custom panel width. The panel width should be  $\frac{1}{4}$ " (6) less than the opening width to achieve minimum reveals.

The panel dimensions in the chart below are based on a  $34\frac{1}{2}$ " (876) opening, with a 4" (102) toe kick and  $\frac{1}{8}$ " (3) top reveal. For all other opening and toe kick heights, adjust the panel accordingly. The minimum panel height is 28" (711). The minimum toe kick height is 4" (102).

Finish all sides of the custom panel. They may be visible when the door is open.

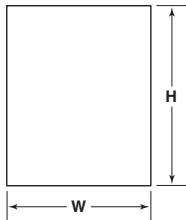
Locate the handle near the top of the door. Handle mounting hardware must be flush with the back of the door panel.

PANEL DIMENSIONS	W	H
$23\frac{5}{8}$ " (60 cm) Opening	$23\frac{3}{8}$ " (594)	$30\frac{3}{8}$ " (772)
24" (610) Opening	$23\frac{3}{4}$ " (603)	$30\frac{3}{8}$ " (772)

### PANEL REQUIREMENTS

Max Weight (including handle)	20 lb (9 kg)*
Min Thickness	$\frac{1}{2}$ " (13)

\*Less than 16 lb (7 kg) is optimal.



Panel dimensions

### STAINLESS STEEL PANEL

Stainless steel accessory door panels are available in two widths to accommodate a  $23\frac{5}{8}$ " (60 cm) or a 24" (610) opening. The panels are also available in two heights to accommodate a 4" (102) or 6" (152) toe kick. Refer to the chart below for panel dimensions. The panels are available through an authorized Cove dealer. For local dealer information, use the showroom, sales, and service search tool on [coveappliance.com](http://coveappliance.com).

#### PANEL DIMENSIONS

4" (102) TOE KICK	W	H	D
$23\frac{5}{8}$ " (60 cm) Opening	$23\frac{3}{8}$ " (594)	$30\frac{3}{8}$ " (772)	$\frac{3}{4}$ " (19)
24" (610) Opening	$23\frac{3}{4}$ " (603)	$30\frac{3}{8}$ " (772)	$\frac{3}{4}$ " (19)
6" (152) TOE KICK	W	H	D
$23\frac{5}{8}$ " (60 cm) Opening	$23\frac{3}{8}$ " (594)	$28\frac{3}{8}$ " (721)	$\frac{3}{4}$ " (19)
24" (610) Opening	$23\frac{3}{4}$ " (603)	$28\frac{3}{8}$ " (721)	$\frac{3}{4}$ " (19)

### STANDARD HANDLES

Optional stainless steel tubular and pro handles are available through an authorized Cove dealer. For local dealer information, use the showroom, sales, and service search tool on [coveappliance.com](http://coveappliance.com). Refer to the chart below for standard handle lengths for the dishwasher.

#### HANDLE LENGTH

Tubular	$21\frac{1}{4}$ " (540)
Pro	$19\frac{1}{2}$ " (495)