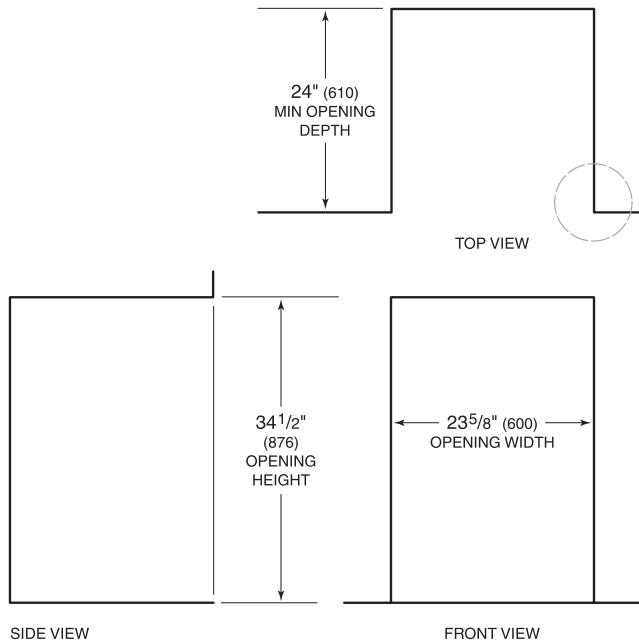
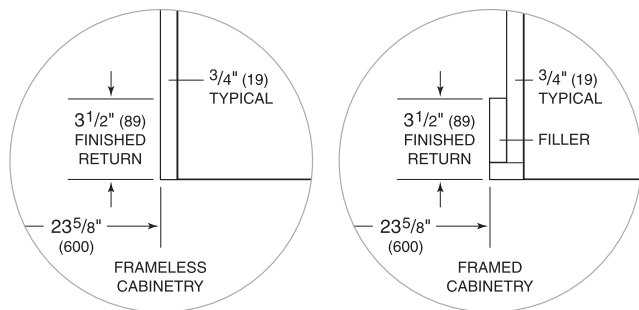


Opening Dimensions

DISHWASHER



NOTE: 3 1/2" (89) finished returns will be visible and should be finished to match cabinetry.



OPENING WIDTH

Cove dishwashers accommodate varying opening widths. A 23 5/8" (60 cm) width provides minimum reveals and is ideal for new construction. A 24" (610) width is also common; however, reveals for a 24" (610) opening will be larger than the reveals for a 23 5/8" (60 cm) opening unless the panel width is adjusted accordingly. Refer to page 7 for more information.

OPENING HEIGHT

Cove dishwashers accommodate varying opening heights. A 34 1/2" (876) height is typical. The unit allows for 7/8" (22) of total height adjustment. Refer to page 4 for more information.

OPENING DEPTH

Allow for panel thickness when planning the finished opening depth. Panels thicker than 3/4" (19) require additional depth if the unit is being installed flush. A minimum 3 1/2" (89) finished return is required on all sides of the opening. Framed cabinets require additional finished filler material behind the face frame for a proper installation. Refer to the illustration.

Door Panel

CUSTOM PANEL

IMPORTANT NOTE: The dishwasher opening width determines the custom panel width. The panel width should be 1/4" (6) less than the opening width to achieve minimum reveals.

The panel dimensions in the chart below are based on a 34 1/2" (876) opening, with a 4" (102) toe kick and 1/8" (3) top reveal. For all other opening and toe kick heights, adjust the panel accordingly. The minimum panel height is 28" (711). The minimum toe kick height is 4" (102).

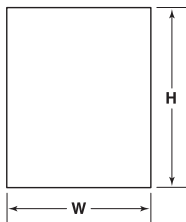
Finish all sides of the custom panel. They may be visible when the door is open.

Locate the handle near the top of the door. Handle mounting hardware must be flush with the back of the door panel.

PANEL DIMENSIONS	W	H
23 5/8" (60 cm) Opening	23 3/8" (594)	30 3/8" (772)
24" (610) Opening	23 3/4" (603)	30 3/8" (772)

PANEL REQUIREMENTS

Max Weight (including handle)	16 lb (7 kg)
Min Thickness	1/2" (13)



Panel dimensions

STAINLESS STEEL PANEL

Stainless steel accessory door panels are available in two widths to accommodate a 23 5/8" (60 cm) or a 24" (610) opening. Panels are also available in two heights to accommodate a 4" (102) or 6" (152) toe kick. Panels are available through an authorized Cove dealer. Refer to the chart below for panel dimensions. For local dealer information, use the showroom, sales, and service search tool on coveappliance.com.

PANEL DIMENSIONS

4" (102) TOE KICK	W	H	D
23 5/8" (60 cm) Opening	23 3/8" (594)	30 3/8" (772)	3/4" (19)
24" (610) Opening	23 3/4" (603)	30 3/8" (772)	3/4" (19)
6" (152) TOE KICK	W	H	D
23 5/8" (60 cm) Opening	23 3/8" (594)	28 3/8" (721)	3/4" (19)
24" (610) Opening	23 3/4" (603)	28 3/8" (721)	3/4" (19)

STANDARD HANDLES

Optional stainless steel tubular and pro handles are available through an authorized Cove dealer. For local dealer information, use the showroom, sales, and service search tool on coveappliance.com. Refer to the chart below for standard handle lengths for the dishwasher.

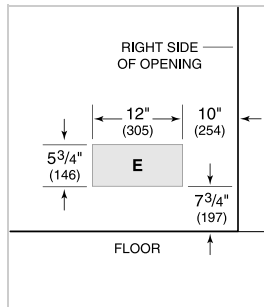
HANDLE LENGTH

Tubular	21 1/4" (540)
Pro	19 1/2" (495)

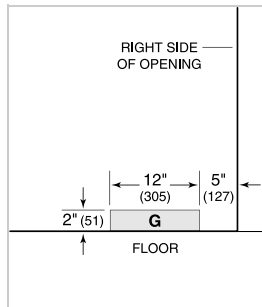
PRODUCT SPECIFICATIONS

Model	GR486C
Dimensions	47 7/8"W x 37"H x 28 3/8"D
Oven 1 Interior Dimensions	13 1/2"W x 18 5/8"H x 17"D
Oven 2 Interior Dimensions	24"W x 18 5/8"H x 17"D
Oven 1 Usable Capacity	1.6 cu ft
Oven 1 Overall Capacity	2.5 cu ft
Oven 2 Usable Capacity	2.9 cu ft
Oven 2 Overall Capacity	4.4 cu ft
Door Clearance	19 1/2"
Weight	750 lb
Electrical Supply	110/120 VAC, 50/60 Hz
Electrical Service	15 amp dedicated circuit
Gas Supply	3/4" rigid pipe
Gas Inlet	1/2" NPT female
Receptacle	3-prong grounding-type

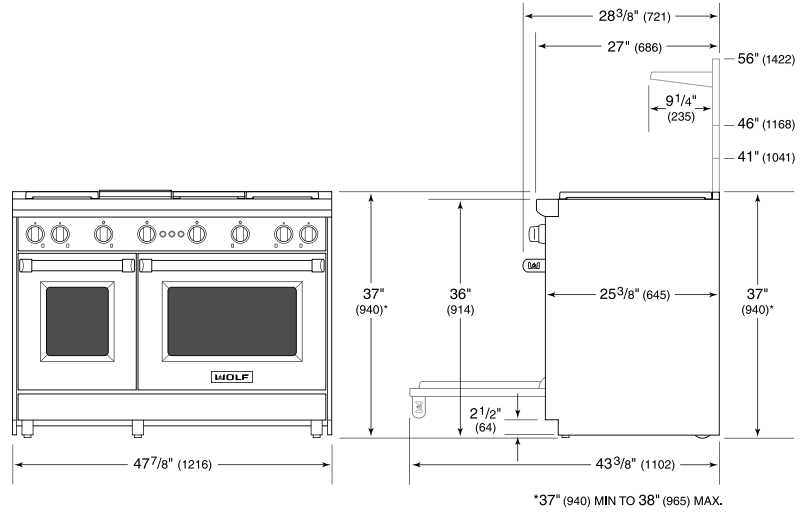
ELECTRICAL



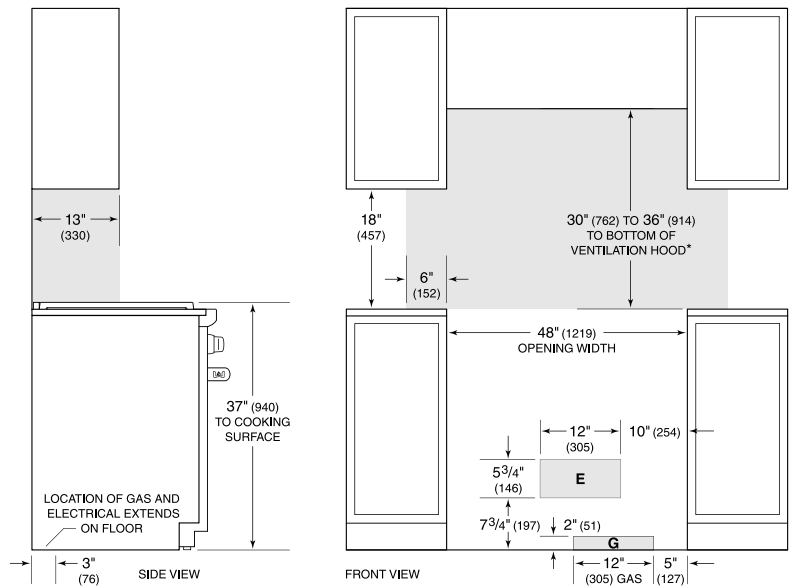
GAS



DIMENSIONS



STANDARD INSTALLATION

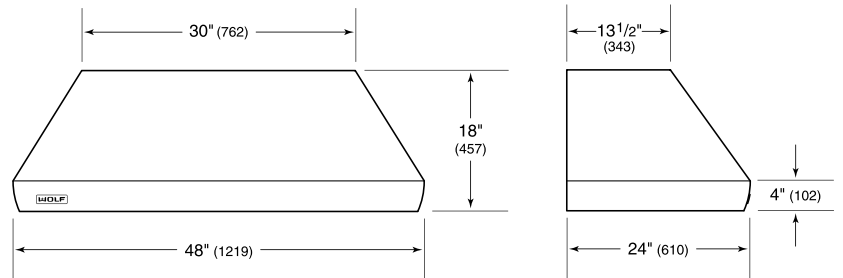


*Without ventilation hood, 42" (1067) minimum clearance countertop to combustible materials, charbroiler and GR488 require non-combustible materials.
 NOTE: Shaded area above countertop indicates minimum clearance to combustible surfaces, combustible materials cannot be located within this area.
 For island installation, 12" (305) minimum clearance back of range to combustible rear wall above countertop.

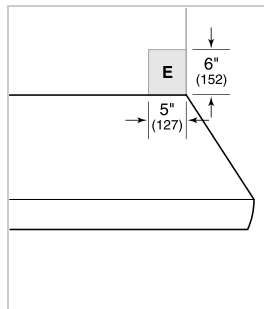
PRODUCT SPECIFICATIONS

Model	PWC482418
Dimensions	48"W x 18"H x 24"D
Weight	94 lb
Electrical Supply	110/120 VAC, 60 Hz
Electrical Service	15 amp dedicated circuit
Discharge Location	Vertical
Discharge Dimensions	10" Round
Bottom of Hood to Countertop	30" to 36"

DIMENSIONS



ELECTRICAL



Duct Cover

IMPORTANT NOTE: If an optional duct cover is to be used with the pro wall chimney hood, it must be attached before installing the hood.

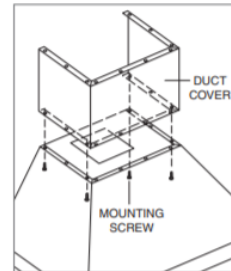
CAUTION

Installing a duct cover will impact all aspects of the hood installation, including hood location, ducting, electrical placement and the mounting surface.

DUCT COVER INSTALLATION

IMPORTANT NOTE: For wall chimney hoods using a 600 CFM or 900 CFM internal blower, refer to installation instructions provided with the blower assembly. Install the internal blower prior to installing the duct cover.

- 1) Attach the duct cover from the inside of the hood through the filter opening using the screws provided with the duct cover. Leave screws partially loose until all screws are installed.
- 2) Check alignment of the duct cover with the hood and tighten the four corner screws to secure the duct cover. Tighten all remaining screws.
- 3) Proceed with installation of the wall hood.

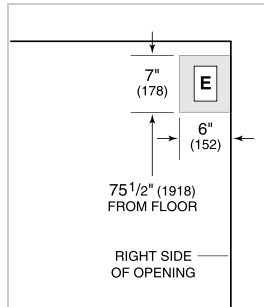


Duct cover installation.

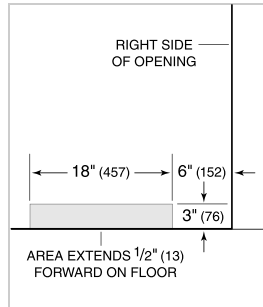
PRODUCT SPECIFICATIONS

Model	BI-42UFDID/S
Dimensions	42"W x 84"H x 24"D
Door Clearance	22 1/4"
Drawer Clearance	23 5/8"
Refrigerator Capacity	17.9 cu. ft.
Freezer Capacity	6.3 cu. ft.
Electrical Supply	115 VAC, 60 Hz
Electrical Service	15 amp dedicated circuit
Plumbing Supply	1/4" OD copper, braided stainless steel or PEX tubing
Plumbing Pressure	35–120 psi
Receptacle	3-prong grounding-type

ELECTRICAL



PLUMBING



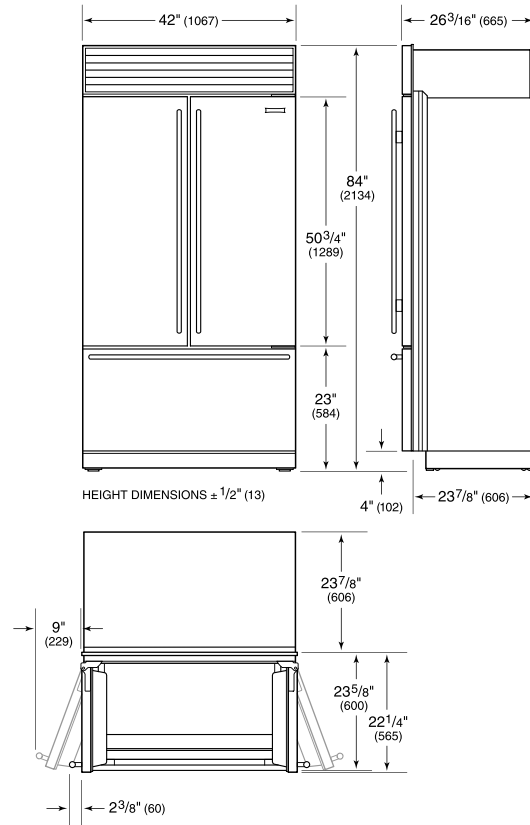
NOTE: Dimensions in parenthesis are in millimeters unless otherwise specified

INTERIOR VIEW

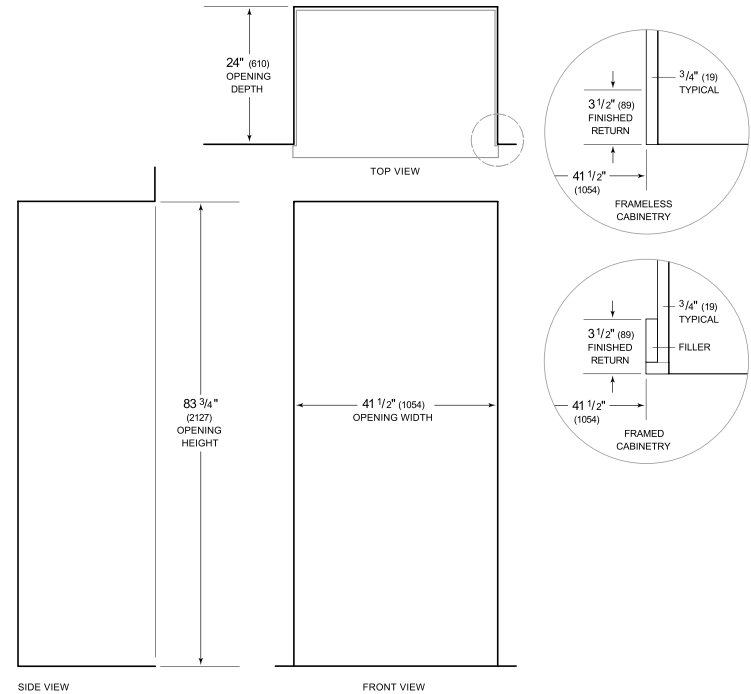


This illustration is intended for interior reference only and may not represent the exterior of the model being specified.

DIMENSIONS



STANDARD INSTALLATION

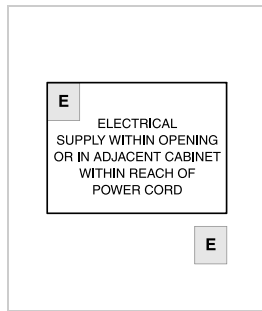


NOTE: 3 1/2 inch (89) finished returns will be visible and should be finished to match cabinetry. Shaded line represents profile of unit.

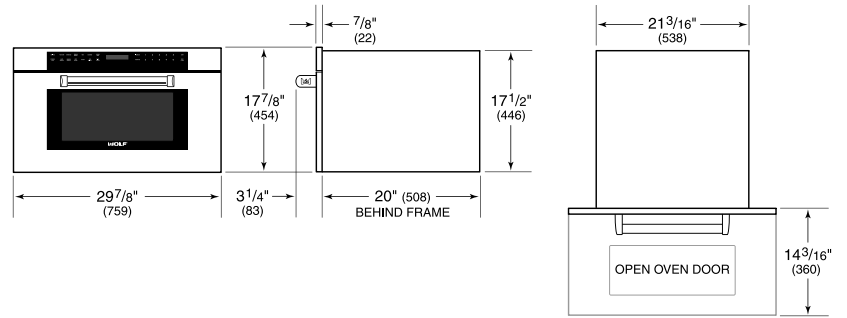
PRODUCT SPECIFICATIONS

Model	MDD30PM/S/PH
Dimensions	29 7/8"W x 17 7/8"H x 20"D
Door Clearance	14 3/16"
Weight	80 lb
Electrical Supply	120 VAC, 60 Hz
Electrical Service	15 amp dedicated circuit
Overall Capacity	1.6 cu ft
Power Cord Length	4 feet
Receptacle	3-prong grounding-type

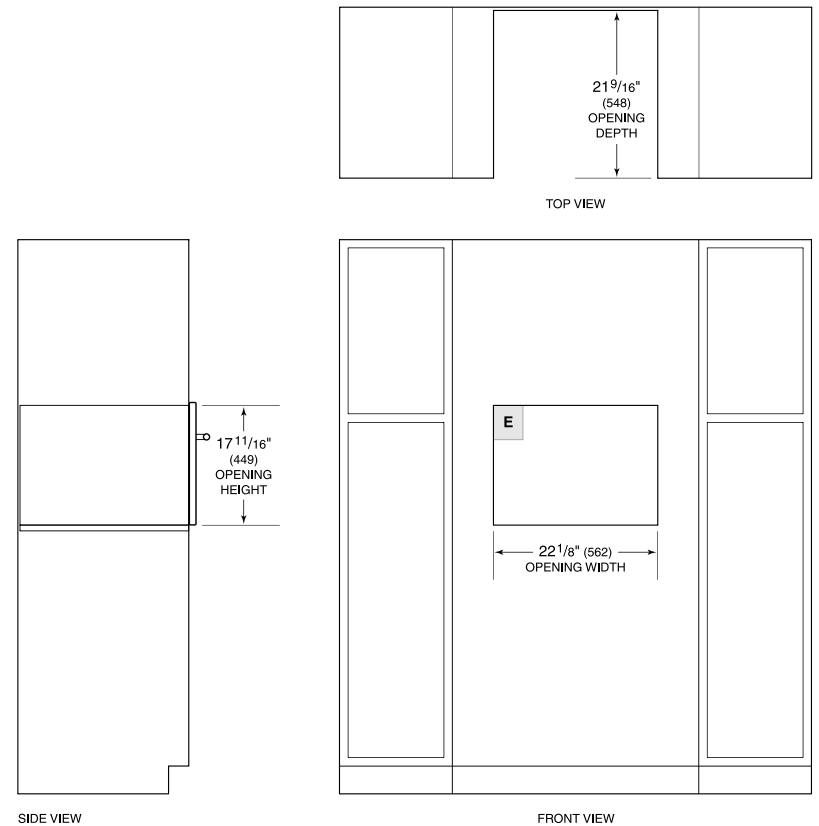
ELECTRICAL



DIMENSIONS



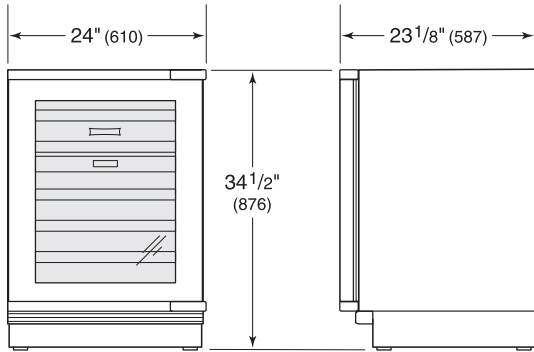
STANDARD INSTALLATION



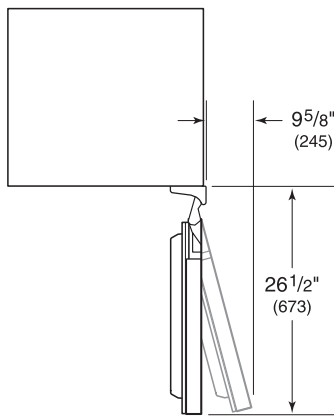
Subzero

Overall Dimensions

MODEL DEU2450W



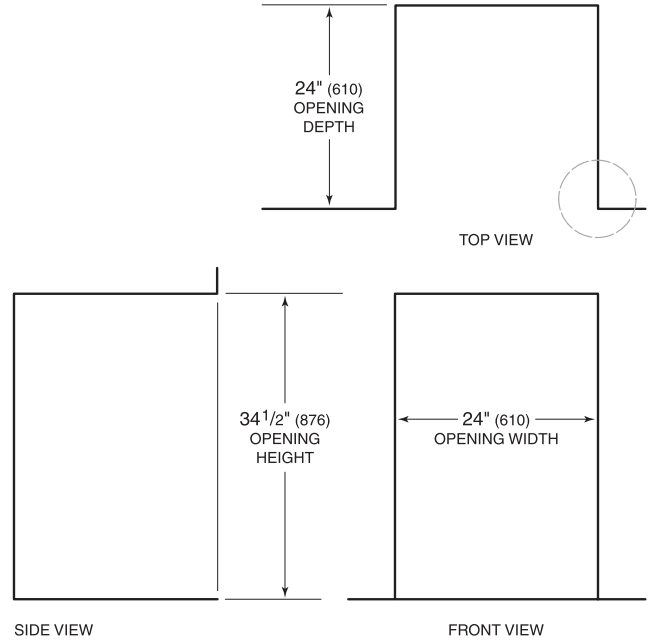
HEIGHT DIMENSIONS $\pm 1/2"$ (13)



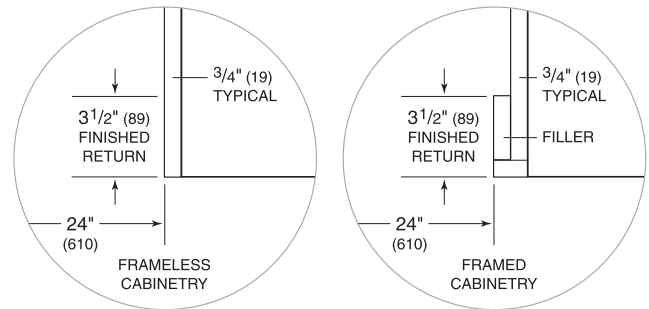
IMPORTANT NOTE: Overall dimensions do not include panels or handles. Dimensions will vary with panel thickness.

Opening Dimensions

MODEL DEU2450W



NOTE: $3 1/2"$ (89) finished returns will be visible and should be finished to match cabinetry.



DUAL OPENING WIDTH

W

Two 24" Models

48 1/8" (1222)

Dual installation kit required.

Custom Panels

For framed, overlay, Designer, and flush inset applications, a custom door panel must be provided. Handle hardware must also be provided for overlay, Designer, and flush inset applications. Refer to the panel requirements and custom panel dimensions charts for your specific model and design application.

Do not install a solid panel on a glass door unit. A solid door is available as a sales accessory (except model BW-30) and must be installed if a solid panel is being specified. Service may be required to install the door. Contact an authorized Sub-Zero dealer for more information. Over-all dimensions are the same for glass and solid door panels.

Finish all sides of the custom panels. They may be visible when the door is open or through the window of glass door models.

Custom Panel

A custom door panel and handle hardware must be installed.

A $\frac{5}{8}$ " (16) minimum to $\frac{3}{4}$ " (19) maximum thick panel is required. The panel cannot exceed the maximum panel weight indicated in the chart below. The depth of each model is $23\frac{1}{8}$ " (587). Allow for panel thickness when planning the finished opening depth.

Minimum $\frac{1}{8}$ " (3) reveals are required.

PANEL WEIGHT	MAX
24" Model	22 lb (10 kg)

Finish all sides of the custom panel. They will be visible when the door is open.

A D-style handle is recommended. Locate the door handle near the edge of the panel opposite the hinge and centered top to bottom. Stainless steel tubular and pro handles are available through an authorized Sub-Zero dealer. For local dealer information, visit the find a showroom section of our website, subzero.com.

Custom Panel—DEU2450W

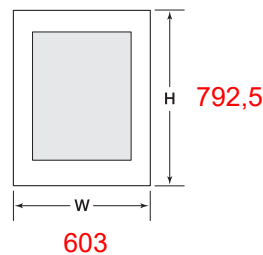
For model DEU2450W, the custom door panel will attach directly to the door frame with screws through a series of pre-drilled holes.

Refer to the charts below for panel requirements and dimensions.

PANEL REQUIREMENTS

Panel Weight	22 lb (10 kg) max
Panel Thickness	$\frac{5}{8}$ " (16) min – $\frac{3}{4}$ " (19) max

TYPICAL PANEL DIMENSIONS



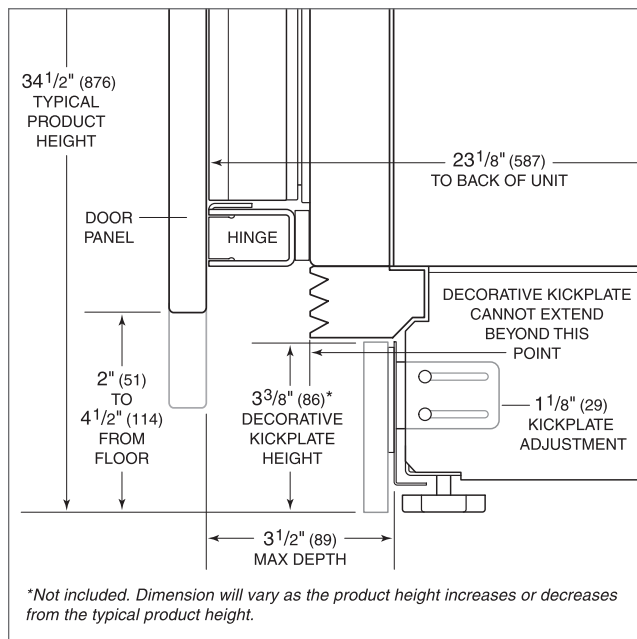
PANEL DIMENSIONS

MODEL	W	H
DEU2450W	$23\frac{3}{4}$ " (603)	$30\frac{3}{8}$ " (772)
STILES / RAILS		MIN
Stiles		$3\frac{1}{4}$ " (83)
Top Rail		$3\frac{1}{2}$ " (89)
Bottom Rail		$4\frac{1}{2}$ " (114)

Custom Panel

TOE KICK CLEARANCE

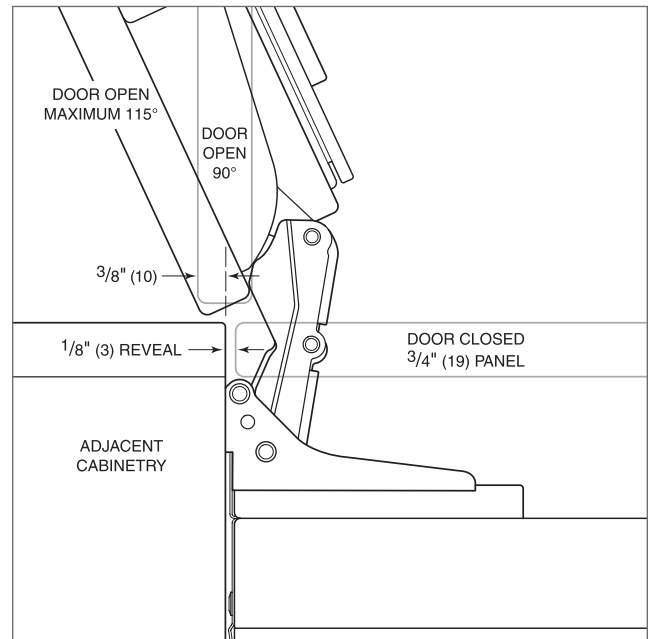
The height of the toe kick area can extend beyond the typical toe kick height, provided it does not exceed the dimensions in the illustration below. For questions regarding the installation, call Sub-Zero Customer Care at 800-222-7820.



Toe kick clearance (side view)

MAXIMUM DOOR OPENING

As the panel width and/or depth increases, so does the potential for panel interference. Interference may be minimized by using the 90° door stop.



Maximum door opening (top view)

Completion

KICKPLATE INSTALLATION

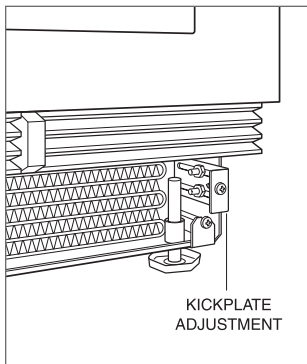
The kickplate must be removable for service. The floor cannot interfere with removal. Finger-tighten the adjustment bracket nuts. Refer to the illustration below. Make in-and-out adjustments, then wrench-tighten the bracket nuts. Install the kickplate with the provided screws.

A decorative kickplate can be attached to the factory-installed kickplate. The three rows of vented louvers cannot be covered.

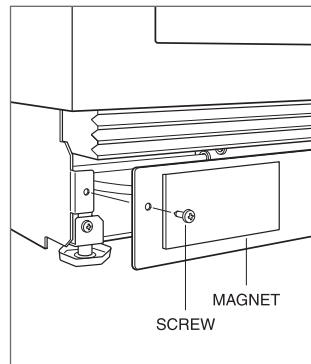
To install a decorative kickplate, remove the paper backing from the magnets and attach the decorative kickplate to the magnets. The magnets allow the decorative kickplate to be removed if necessary.

⚠ WARNING

Follow all city and state laws when storing, recycling, or discarding unused refrigerators and freezers.



Kickplate adjustment



Kickplate installation

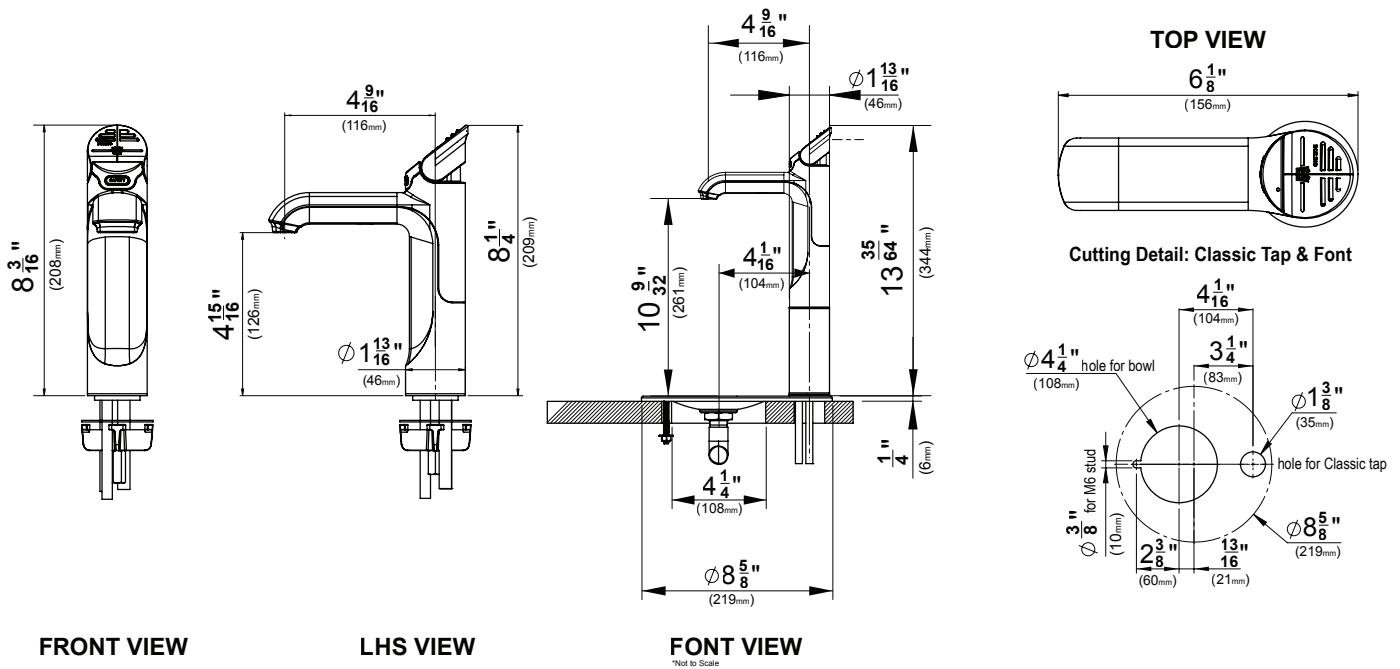
HYDROTAP® CLASSIC FOR HOME

BOILING | **CHILLED** | **SPARKLING**



TAP SPECS

Style	HydroTap Classic for Home or Small Office* - includes child safety lock
Hole Size	1 3/8"
Available Finishes	Chrome, Brushed Chrome & Matte Black
Installation	Over Sink or On Drip Tray (optional font sold separately - see below for product code)
Flow rate	Max 1.8gpm
Sparkling Water Flow Rate	0.36gpm



MODEL NUMBERS (CONSULT LOCAL DEALER FOR PRODUCT CODES)

CLASSICBCS120V-CH	Classic (Chrome)
CLASSICBCS120V-BC	Classic (Brushed Chrome)
CLASSICBCS120V-MB	Classic (Matte Black)

PRODUCT CODES FOR OPTIONAL FONTS

01034266	Drip Tray, Classic Font (Chrome)
01034267	Drip Tray, Classic Font (Brushed Chrome)
01034268	Drip Tray, Classic Font (Matte Black)

PRODUCT CODES FOR ACCESSORIES

01034276	Filter, Zip, 0.2 Micron, 1 Size - 93701	01034347	Zip 2 x 1.5lb CO ₂ refillable/recyclable cylinders
01034277	Filter, Zip, 0.2 Micron, 1.5 Size - 93702	01034348	Zip 1 x 5lb CO ₂ refillable/recyclable cylinders
01034278	Filter, Zip, 3 Micron, 1.5 Size - 93703	01034349	Zip CO ₂ Regulator
01037874	External Scale Filter Installation Kit (includes filter)	01037868	Zip FL250 Scale Replacement Filter

*For home or small office (maximum office size = 10 people)

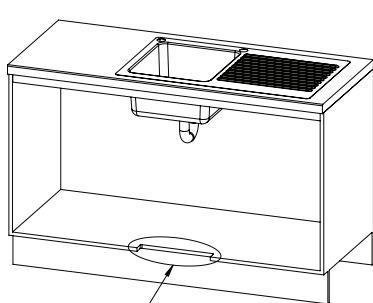
HYDROTAP® CLASSIC FOR HOME

BOILING | CHILLED | SPARKLING

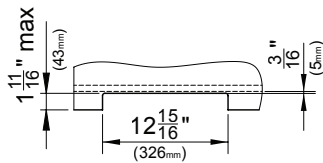


BCS120V - COMMAND CENTER SPECS

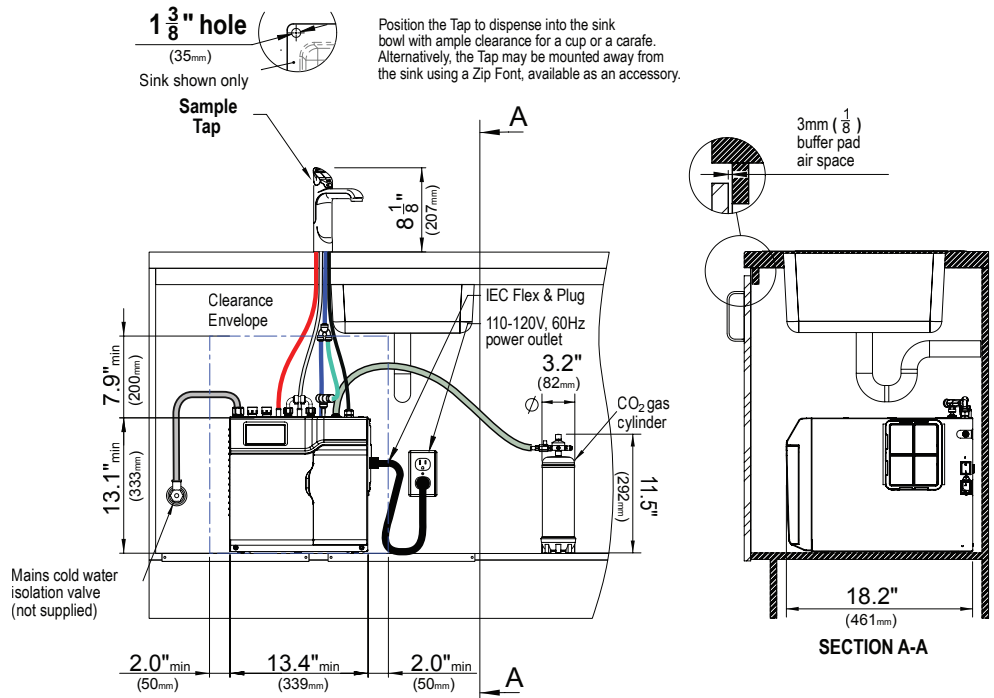
Water Pressure	Min 36psi – Max 100psi with a minimum flow rate of 1 gpm
Water Connection	½" BSP - isolation valve is required within 3' of the installation
Integral Water Values	HydroTaps are fitted with a dual check valve and a 50psi pressure limiting valve
Water Supply Requirements	Potable drinking water supply
Total Dissolved Solids (TDS)	TDS minimum 50ppm – maximum 120ppm
Integral Water Filter	0.2 micron, 1 size - replace every 1,500 gallons or 12 months
Power Rating	110-120V, 60 Hz, 1.25kW, 9A draw
Power Supply Requirements	110-120V, 60Hz 15A power supply with a NEMA 5-15 outlet
Dimensions (WxDxH)	13.4" x 18.2" x 13.1"
Minimum Air Gap	Clearances are required - 2" left side , 2" right side , 8" above
Dry Weight	79.36lbs
Product Approvals	IAPMO - NSF/ANSI 372, 42 & 53, cUL, CEC
Warranty	2 years (1 year limited warranty plus additional 1 year warranty is available on product registration)
CO ₂ Cylinder	2 x 1.5lb beverage-grade carbon dioxide cylinder
CO ₂ Capacity	Approximately 450 glasses of sparkling water per 1.5lb CO ₂ cylinder
CO ₂ Operating Pressure	Min 39psi - Max 43psi
Maximum Hose Connection Length	3' (tap to command center)
Minimum Distance Needed for Installation	15" (interior wall to disposal)
Recommended Cabinet Depth	24"



See Detail B
VENTILATION DETAIL



DETAIL B: CABINET FLOOR CUT-OUT



Installation and connection of your HydroTap must be carried out by a qualified person, observing all local, state, & federal regulations. You will require suitable 110 -120V 60Hz 15 amp power supply with a NEMA 5-15 electrical outlet within 3' of the product. The HydroTap is a pump-driven system so the installation of the Tap must be within 3' of the base command center. The HydroTap is an air-cooled system so discrete cabinetry cut-outs are required for ventilation. Installation on most countertops is straightforward however some stone countertops may require a specialized cutting service. If using a drip tray (font) accessory, suitable drainage to a trapped waste is required within 3' of the installation. If you live in an area with hard water (more than 120ppm), we recommend installation of a scale filtration kit. Sufficient space and clearance to install the HydroTap as detailed in the product installation guidelines is required. Installation by Zip Professional Service can be arranged with a phone call to 1-833-233-2358 or through <https://us.zipwater.com>.