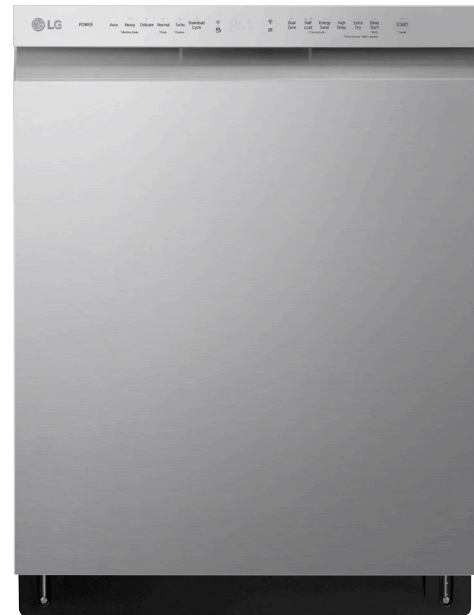


LG DISHWASHERS

ADFD5448AT

48dB Front Control ADA Dishwasher with QuadWash™ and EasyRack™ Plus

QuadWash™
EasyRack™ Plus
ADA Compliant
Auto Open Dry
Stainless Steel Tub
ThinQ® Technology


CAPACITY

Total Place Settings	14
Upper Rack Dish Height Limit	8.5"
Lower Rack Dish Height Limit	11.8"

RACKS AND BASKETS

Cutlery Baskets	Yes
Cup Rack	Yes
Stemware Holder	Yes
Fold Down Tines	Yes (Full on Upper & Full on Lower)
Rack Handle	Yes (Lower)
EasyRack™ Plus System	Yes
Height Adjustable Upper Rack	Yes

STYLE AND DESIGN

Control Panel Location	Front Control
Time Remaining Indicator	Yes (LED)
Tub Material	NeveRust™ Stainless Steel
Handle	Pocket Handle
All Available Colors	Stainless Steel

FEATURES

QuadWash®	Yes
DirectDrive Motor™	Yes
LoDecibel™ Quiet Operation	48 dBA
Number of Wash Cycles	9 (Auto, Heavy, Delicate, Normal, Turbo, Download Cycle, Machine Clean, Rinse, Express)
Number of Options	7 (Dual Zone, Half Load, Energy Saver, Extra Dry, Delay Start, Control Lock, High Temp.)
Number of Spray Arms	3 (Top, Upper, Lower)
SenseClean™ Wash System	Yes
Vario Wash	Yes
Detergent and Rinse-Aid Dispenser	Yes
Drying System	Auto Open Dry
End of Cycle Indicator	Yes (Beeper + END indication on display)
Hidden Water Heater	Yes
Safety Float Switch (Leaks)	Yes
Soil (Turbidity) Sensor	Yes
Tub Insulation (Damping Sheet, Sound Absorbing Material (felt), Base)	Yes
Balanced Door	Yes
3-Stage Filtration System	Yes

SMART FEATURES

wi-fi Enabled	Yes
---------------	-----

CERTIFICATIONS

ADA Compliant	Yes
---------------	-----

POWER RATINGS

ENERGY STAR® Qualified	Yes
CEE Tier	1
Energy Use (kWh/Year)	258 kWh/Year
Water Use (Gallons/Cycle)	2.9

DIMENSIONS / CLEARANCES / WEIGHT

Unit Dimensions (W x H x D)	23 1/2" x 32 1/16" x 22 1/2"
Depth with Door Closed (Handle)	22 1/2"
Depth with Door Open	45 1/2"
Carton Dimensions (WxHxD)	27 3/4" x 33 7/8" x 27 3/4"
Clearances (WxHxD)	24" x 32 1/4" x 24"
Weight (Unit / Carton)	84 lbs/95 lbs
Container Stuffing Quantity	40 ft High Cubic : 149 unit

LIMITED WARRANTY

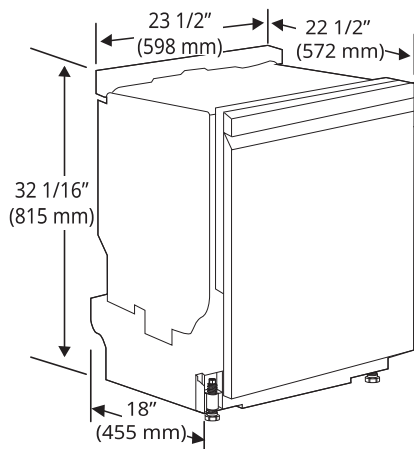
Labor	1 Year
Parts	1 Year
Control Board and Rack Parts	5 Years
Direct Drive Motor	10 Years
Stainless Steel Door Liner or Tub	Lifetime

UPC CODES

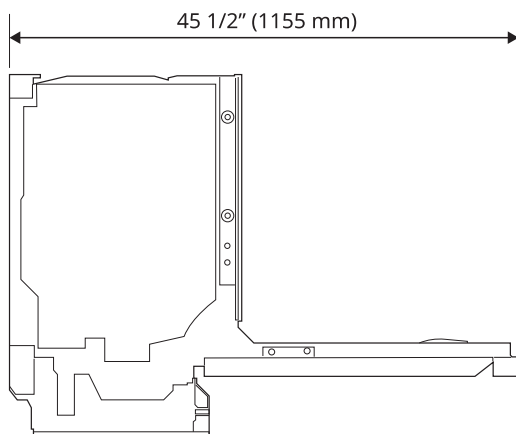
ADFD5448AT (Stainless Steel)	048231341714
------------------------------	--------------

Product Dimensions

Front View



Side View

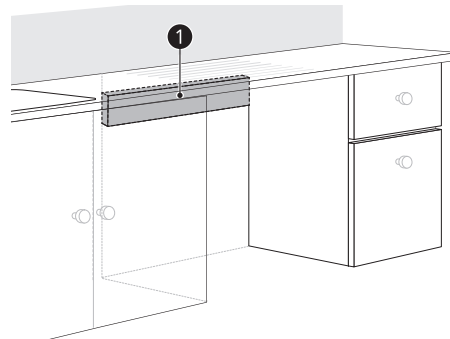


Preparing Cabinet Opening

This dishwasher is designed to fit a standard dishwasher opening. An opening may be needed on both sides to route plumbing and electrical connections.

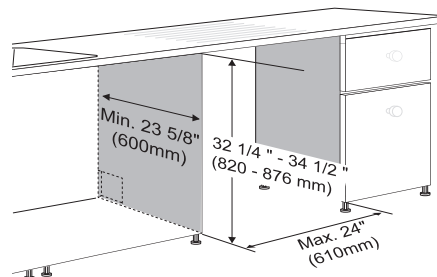
- To ensure proper drainage, install the dishwasher no more than 12 ft. (3.65 m) from the sink.
- The location must have sufficient space for the dishwasher door to open easily and provide at least 0.1" (2 mm) between the dishwasher and the cabinet sides.
- If installing the dishwasher in a corner, leave a minimum of 2" (50 mm) between the dishwasher and the adjacent wall.
- The adjacent wall must be free of obstructions.

- For flush installations only, you may remove the cabinet brace ❶ inside the cabinet.

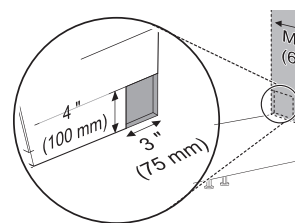


Choosing the Proper Location

- 1 Select a location as close to the sink as possible for easy connections to water supply line, drain hose and electrical connection.



- 2 To allow for proper clearance of plumbing and electrical, use the template included with the literature to determine the clearance on the side of the cabinet where the cabinet meets the back wall. Using a 2 1/2" diameter hole saw, drill a hole in the target area as shown on the template.

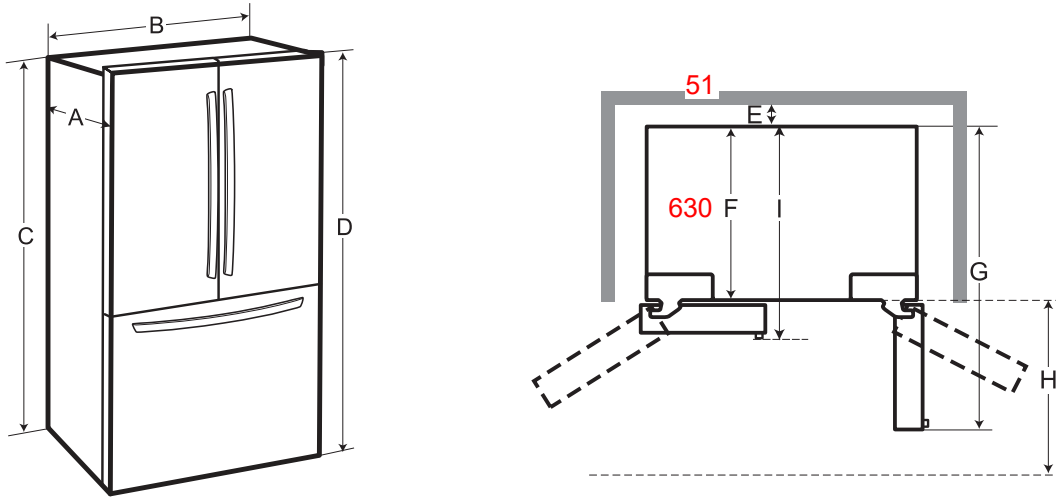


⚠ WARNING

- Installation damage is not covered by the warranty, and leaks caused by improper installation may result in property damage.
- Do not use existing holes unless they are in the target area.
- Failure to properly locate the hole for the water and drain lines may prevent the dishwasher from installing flush with the cabinets and could

Dimensions and Clearances

- Check the dimensions of the appliance and the installation path to ensure there is sufficient room to move the refrigerator through doors or narrow openings.
- If an opening is too narrow to fit the refrigerator through, the doors must be removed.
- The installation location chosen for the refrigerator should allow space behind the unit for connections and airflow and space in front to open the doors and drawers.
- Too small of a distance from adjacent items may result in lowered freezing capability and increased electricity consumption charges. Allow at least 24 inches (610 mm) in front of the refrigerator to open the doors, and at least 2 inches (50.8 mm) between the back of the refrigerator and the wall.



-	List	LFCC22426*
A	Depth without handle	28 3/4" (728 mm)
B	Width	35 3/4" (908 mm)
C	Height to Top of Case	68 3/8" (1737 mm)
D	Height to Top of Hinge	69 3/4" (1772 mm)
E	Back Clearance	2" (50 mm)
F	Depth without Door	24 3/4" (630 mm)
G	Depth (Total with Door Open 90°)	43 1/2" (1103 mm)
H	Front Clearance	24" (610 mm)
I	Depth With handle	31 1/4" (792 mm)

LG REFRIGERATION

LFCC22426S

23 cu.ft. Counter Depth 3-Door French Door Refrigerator

Counter Depth

PrintProof Finish™

Smart Cooling™ System

Door Cooling +

SmartDiagnosis™

LoDecibel™ Quiet Operation

ENERGY STAR® Qualified



CAPACITY	
Refrigerator (cu.ft.)	15.50
Freezer (cu.ft.)	7.30
Total Capacity (cu.ft.)	22.8
ENERGY	
Energy Consumption (kWh/Year)	595
ENERGY STAR® Qualified	Yes
WATER & ICE SYSTEM	
Daily Ice Production (lbs)	2.5 lbs
IcePlus™ Production (lbs)	2.7 lbs
Ice Storage Capacity (lbs)	4.0 lbs
Ice System	Factory Installed Ice Maker
Water Filter	LT1000P
COOLING	
Linear Compressor	Yes
Smart Cooling™ System	Yes
Multi-Air Flow™ System	Yes
Temperature Sensors	5
CONVENIENCE	
Display Type	Membrane / White LED
Temperature Controls	Electronic/Digital
Auto Closing Door Hinge	Yes
LoDecibel™ Quiet Operation	Yes
Sabbath Mode	Yes
REFRIGERATOR	
No. of Shelves	4 Split
Cantilevered Shelves	Hybrid Cantilevered
Shelf Construction	Spill Protector™ Tempered Glass
Crisper Bins	2 Humidity Crispers
Glide N' Serve™ Drawer	Yes
Refrigerator Light	Ceiling LED (Frameless)
REFRIGERATOR DOOR	
No. of Bins	6 Total (2 Adjustable Gallon Sized)
Door Bin Construction	1 Piece (Clear)
FREEZER	
Door Type	Pull Drawer
Drawers	2-Tier Organization
DuraBase™ Solid Drawer Base	Yes
Drawer Divider	Yes
Freezer Light	LED Lighting

Freezer Handle	SmartPull™ Handle
SMART FEATURES	
SmartDiagnosis™	Yes
MATERIALS AND FINISHES	
Contour Door	Yes
Hidden Hinges	Yes
Fingerprint & Smudge Resistant Exterior	Yes
Handles	Matching Commercial
All Available Colors	PrintProof™ Stainless Steel
DIMENSIONS/CLEARANCES/WEIGHTS	
Depth with Handles	31 1/4"
Depth without Handles	28 3/4"
Depth without Door	24 3/4"
Depth (Total with Door Open)	43 1/2"
Height to Top of Case	68 3/8"
Height to Top of Door Hinge	69 3/4"
Width	35 3/4"
Width (Door Open 90° with Handle)	44 1/4"
Width (Door Open 90° without Handle)	39 1/4"
Door Edge Clearance with Handle	4 1/2"
Door Edge Clearance without Handle	1 1/3"
Installation Clearance	Sides 1/8", Top 1", Back 2"
Weight (Unit/Carton)	259 lbs. / 289 lbs.
Carton Dimensions (WxHxD)	38" x 73" x 37"
LIMITED WARRANTY	
Parts & Labor	1 Year
Sealed System (Parts & Labor)	5 Years
Compressor (Parts & Labor)	5 Years
Linear Compressor (Parts Only)	6-10 Years
UPC CODES	
LFCC22426S (PrintProof™ Stainless Steel)	048231797252

LG REFRIGERATION

LFCC22426S

23 cu.ft. Counter Depth 3-Door French Door Refrigerator

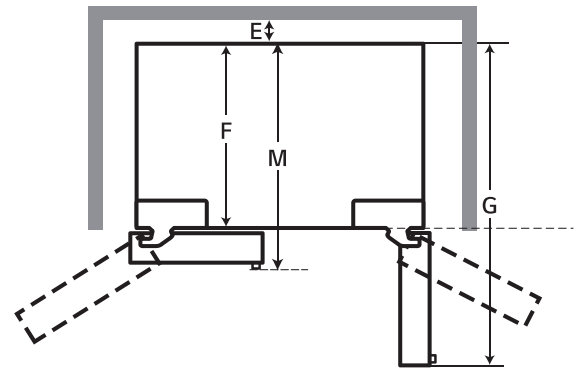
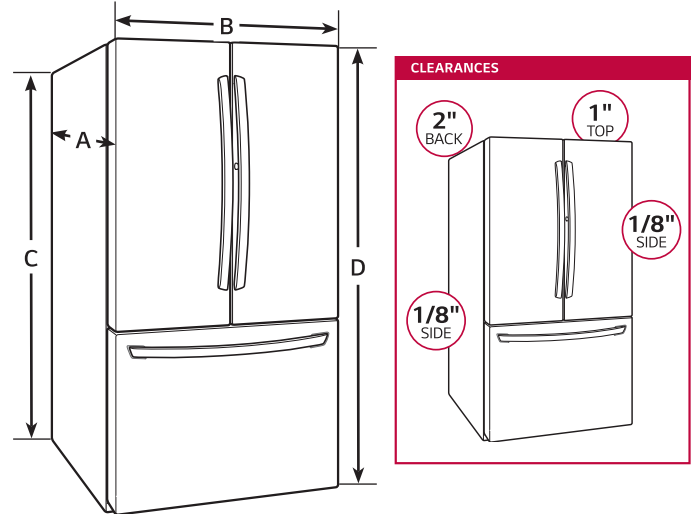
QUICK INSTALL & CLEARANCES

For full installation directions/clearances please refer to the corresponding User Manual and Installation Guide.

DIMENSIONS/CLEARANCES/WEIGHTS

A	Depth without Handles	28 3/4"
B	Width	35 3/4"
C	Height to Top of Case	68 3/8"
D	Height to Top of Door Hinge	69 3/4"
E	Back Clearance	2"
F	Depth without Door	24 3/4"
G	Depth (Total with Door Open)	43 1/2"
M	Depth with Handles	31 1/4"
	Width (Door Open 90° with Handle)	44 1/4"
	Width (Door Open 90° without Handle)	39 1/4"
	Door Edge Clearance with Handle	4 1/2"
	Door Edge Clearance without Handle	1 1/3"
	Installation Clearance	Sides 1/8", Top 1", Back 2"
	Carton Dimensions (WxHxD)	38" x 73" x 37"

PRODUCT DIMENSIONS



CHOOSING THE PROPER LOCATION

WATER

Select a place where a water supply can be easily connected for the automatic

NOTE

- The water pressure must be 20 – 120 psi or 138 – 827 kPa or 1.4 – 8.4 kgf/cm². If the refrigerator is installed in an area with low water pressure (below 20 psi), you can install a booster pump to compensate for the low pressure.

ELECTRICITY

The refrigerator should always be plugged into its own individual properly grounded electrical outlet rated for 115 Volts, 60 Hz, AC only, and fused at 15 or 20 amperes. This provides the best performance and also prevents overloading house wiring circuits which could cause a fire hazard from overheated wires. It is recommended that a separate circuit serving only this appliance be provided.

WARNING

- To reduce the risk of electric shock, do not install the refrigerator in a wet or damp area.

FLOORING

To avoid noise and vibration, the unit must be leveled and installed on a solidly constructed floor. If required, adjust the leveling legs to compensate for the unevenness of the floor. The front should be slightly higher than the rear to aid in door closing. Leveling legs can be turned easily by tipping the cabinet slightly. Turn the leveling legs to the left to raise the unit or to the right to lower it.

NOTE

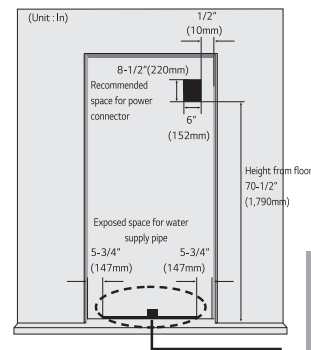
- Installing on carpeting, soft tile surfaces, a platform or weakly supported structure is not recommended.

AMBIENT TEMPERATURE

Install this appliance in an area where the temperature is between 55°F (13°C) and 110°F (43°C). If the temperature around the appliance is too low or high, cooling ability may be adversely affected.

CONNECTING POWER AND SECURING SPACE FOR WATER SUPPLY PIPE

- Make sure the location of the water supply pipe is within the marked range.
- Before connecting the power, always make sure to ground the product. (If the product is not grounded, the user may be able to feel the electricity due to the minute leakage current when touching the refrigerator door handle or side corner even when there is no issue with the product.)
- Do not ground the product to gas pipe, plastic water pipe or telephone wire etc. It can cause electric shock and explosion.



Power connection

The location of the 115V 60Hz power connector must be located on the rear side of the product as shown in the picture.

When installing the product, make sure to check whether the cord is hung on the hook on the rear side so that it is not pressed on the refrigerator. Damaged power cord can cause a fire.

Installation space for water supply pipe

Place the water hose for ice maker and water dispenser as shown in the picture, and prepare hose to come up from the floor. (Copper pipe with diameter of 5/16" (8mm) is recommended for the water hose.) If the water pipe and water hose is located far from the product, bury the water hose on the floor and provide appropriate treatment.

