

# 30" Induction Cooktop

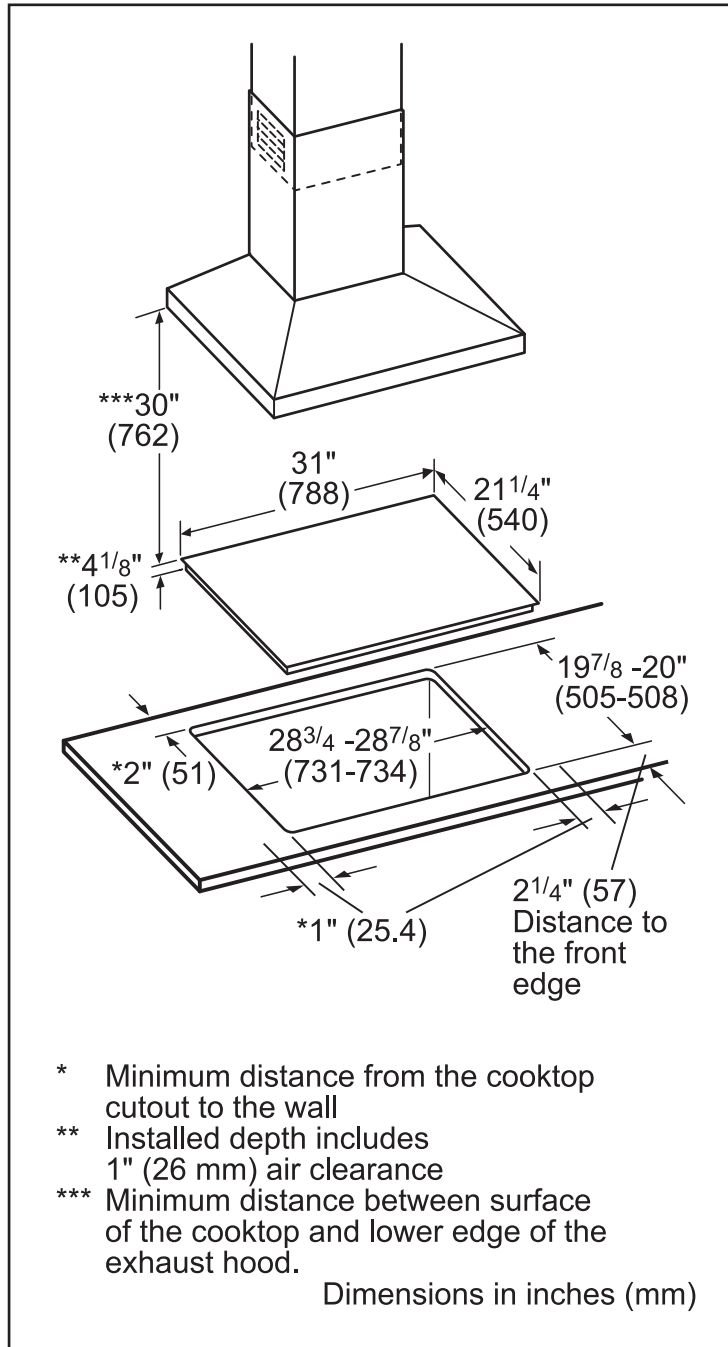
800 Series – Black NIT8069UC



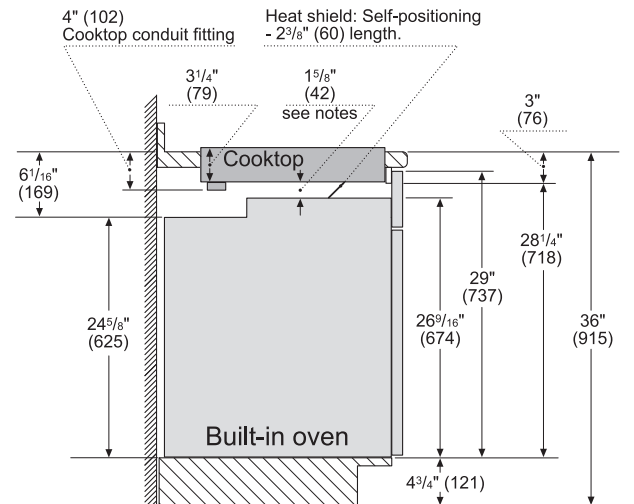
**BOSCH**  
Invented for life



## Installation Details



## Installation above Wall Ovens

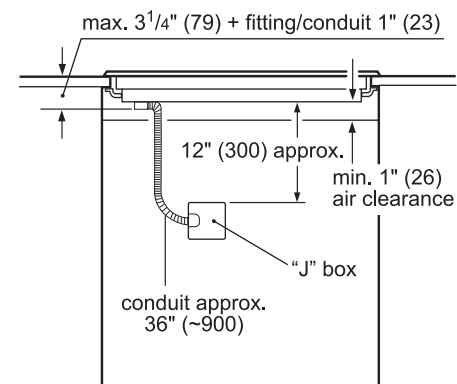


Notes:

Dimensions based on standard countertop height (36" with 4 3/4" toe kick including base plate).

The built-in oven can be installed below the induction cooktop as long as there is a minimum 1" (26) clearance between the bottom of the cooktop and the top of the oven.

measurements in inches (mm)



Measurements in inches (mm)

**Accessories:** To purchase Bosch accessories, cleaners & parts please visit [www.bosch-home.com/us/store](http://www.bosch-home.com/us/store) or call 1-800-944-2904 (Mon to Fri 5 am to 6 pm PST, Sat 6 am to 3 pm PST).

**Notes:** All height, width and depth dimensions are shown in inches. BSH reserves the absolute and unrestricted right to change product materials and specifications, at any time, without notice. Consult the product's installation instructions for final dimensional data and other details prior to making cutout.

**Warranties:** Please see Use & Care manual or Bosch website for statement of limited warranty.

**For more information on our entire line of products, go to [www.bosch-home.com/us](http://www.bosch-home.com/us) or call 1-800-944-2904**

© BSH Home Appliances Corporation. All rights reserved. Bosch is a registered trademark of Robert Bosch GmbH.

Monsoon I has taken the one-piece liner to the next level. Including dual-level halogen lights and an ADA-compliant RF remote you can easily control Monsoon I without ever reaching over a dangerous cooking surface. Equipped

with 6-speed electronic controls, pro baffle filters and either a powerful 600 CFM blower (30" and 36" models) or 1,200 CFM blower (42" and 48" models). ACT™ available on 30" and 36" models.

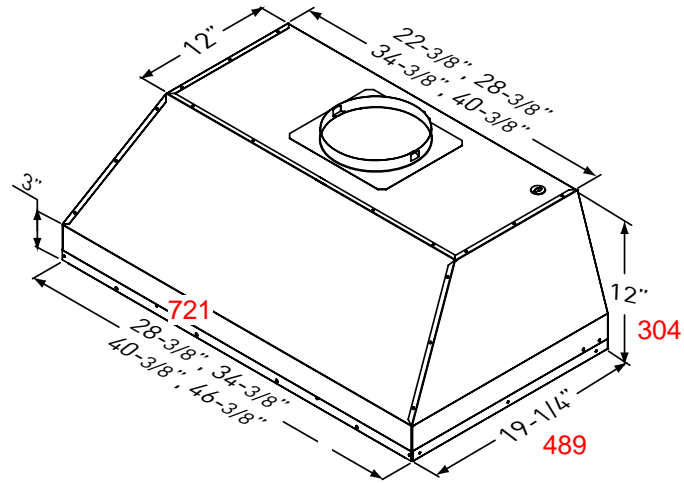
ACT™

	INTERNAL BLOWER STANDARD	INTERNAL BLOWER with ACT™ AIRFLOW CONTROL TECHNOLOGY™*	
		200 - 390	200 - 290
30"/36" Min. - Max. CFM	200 - 600	200 - 390	200 - 290
30"/36" Min. - Max. Sones	1 - 6	1 - 4	1 - 3
42"/48" Min. - Max. CFM	450 - 1,200	NA	NA
42"/48" Min. - Max. Sones	3.5 - 9	NA	NA

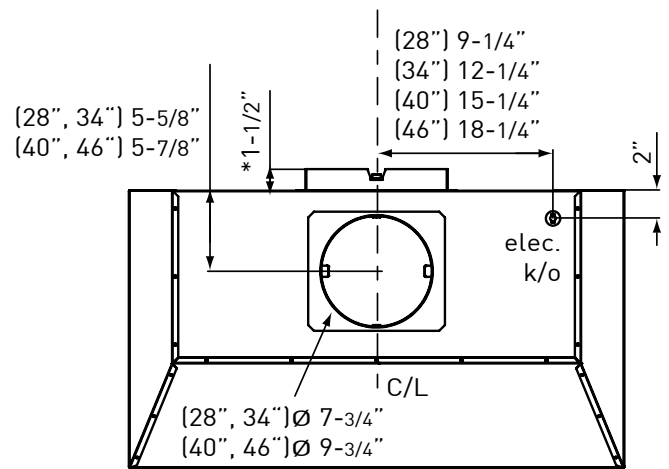
\*AIRFLOW CONTROL TECHNOLOGY™ (ACT™) is an exclusive feature built into specific Zephyr hoods which can limit the maximum blower CFM to meet local code requirements.



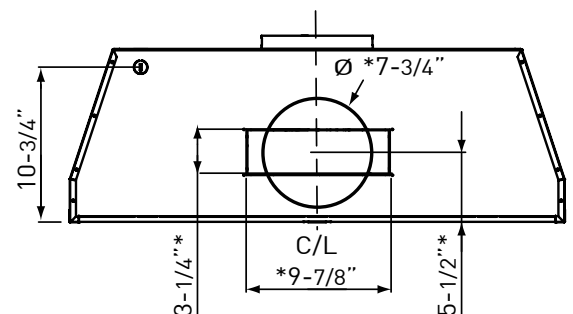
**ADA**  
COMPLIANT



FRONT



TOP



BACK

\*Horizontal ducting only available in 30" and 36" models

MODEL	AK9228AS	AK9234AS	AK9240AS	AK9246AS
Stainless Steel				
<b>Size</b>	30" (28-3/8" x 19-1/4")	36" (34-3/8" x 19-1/4")	42" (40-3/8" x 19-1/4")	48" (46-3/8" x 19-1/4")
<b>Blower CFM (Min. - Max.)</b>	200 - 600	200 - 600	450 - 1,200	450 - 1,200
<b>Sones (Min. - Max.)</b>	1 - 6	1 - 6	3.5 - 9	3.5 - 9
<b>ACT 390 CFM (Min. - Max.)</b>	200 - 390	200 - 390	NA	NA
<b>ACT 390 Sones (Min. - Max.)</b>	1 - 4	1 - 4	NA	NA
<b>ACT 290 CFM (Min. - Max.)</b>	200 - 290	200 - 290	NA	NA
<b>ACT 290 Sones (Min. - Max.)</b>	1 - 3	1 - 3	NA	NA
<b>FEATURES</b>				
<b>ACT™ Technology</b>	Yes	Yes	No	No
<b>Controls</b>	Electronic Touch	Electronic Touch	Electronic Touch	Electronic Touch
<b>Speed Levels</b>	6*	6*	6	6
<b>Auto Delay-Off</b>	Yes	Yes	Yes	Yes
<b>Clean Air Mode</b>	Yes	Yes	Yes	Yes
<b>Lighting</b>	Halogen, 35W x2	Halogen, 35W x2	Halogen, 35W x2	Halogen, 35W x4
<b>Dual-Level Lighting</b>	Yes	Yes	Yes	Yes
<b>Filters</b>	Pro Baffle x2	Pro Baffle x3	Pro Baffle x3	Pro Baffle x4
<b>Removable Grease Tray</b>	Yes	Yes	Yes	Yes
<b>RF Remote Control</b>	Yes	Yes	Yes	Yes
<b>Recirculating Option</b>	No	No	No	No
<b>DUCT SPECIFICATIONS</b>				
<b>Vertical Internal Blower</b>	8" Round	8" Round	10" Round	10" Round
<b>Horizontal Internal Blower</b>	3-1/4" x 10" or 8" Round	3-1/4" x 10" or 8" Round	NA	NA
<b>AC POWER</b>	120V, 60Hz at Max. 5A	120V, 60Hz at Max. 5A	120V, 60Hz at Max. 7A	120V, 60Hz at Max. 7A
<b>OPTIONAL ACCESSORIES</b>				
<b>Make-Up Air Kit</b>	MUA006A	MUA006A	MUA010A	MUA010A
<b>MOUNTING HEIGHT RANGE**</b>	26" - 36"	26" - 36"	26" - 36"	26" - 36"
<b>WARRANTY</b>	3 years parts, 1 year labor	3 years parts, 1 year labor	3 years parts, 1 year labor	3 years parts, 1 year labor

\*When ACT™ is enabled the maximum speed levels will change. ACT 390 CFM = 3 speeds and ACT 290 CFM = 2 speeds.

\*\*Mounting height refers to distance between top of a 36" tall cooking surface and bottom of hood.

**ACT™** AIRFLOW CONTROL TECHNOLOGY™ (ACT™) is an exclusive feature built into specific Zephyr hoods which can limit the maximum blower CFM to meet local code requirements.

Specifications subject to change, check zephyronline.com for up-to-date information.  
Zephyr Ventilation | 2277 Harbor Bay Parkway, Alameda, CA 94502 | 888.880.VENT

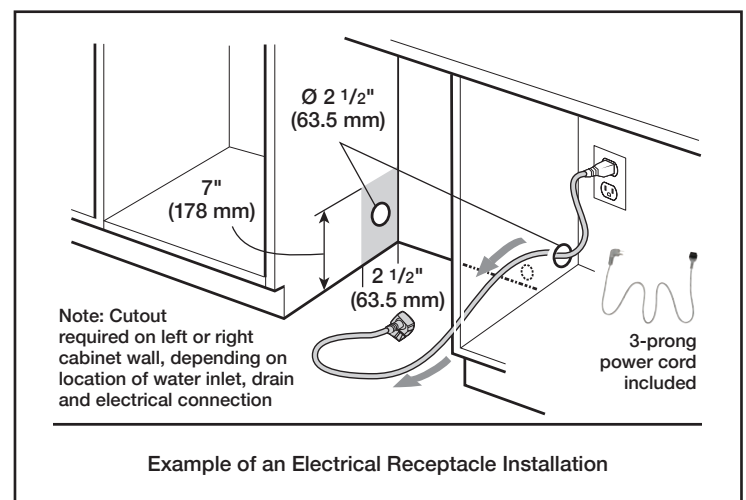
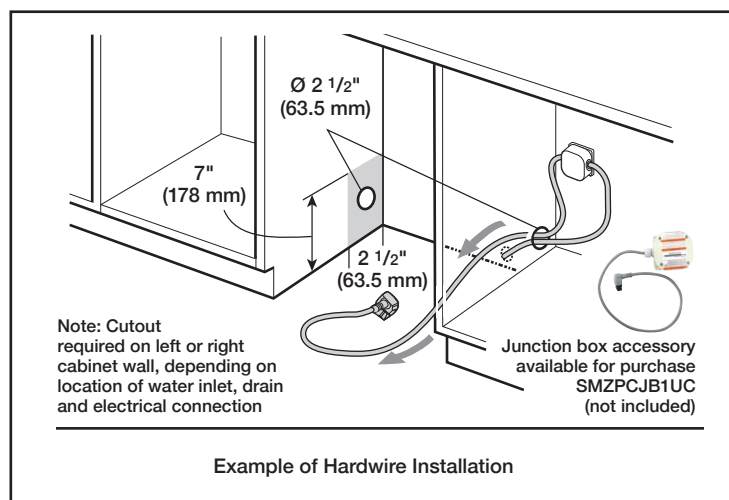
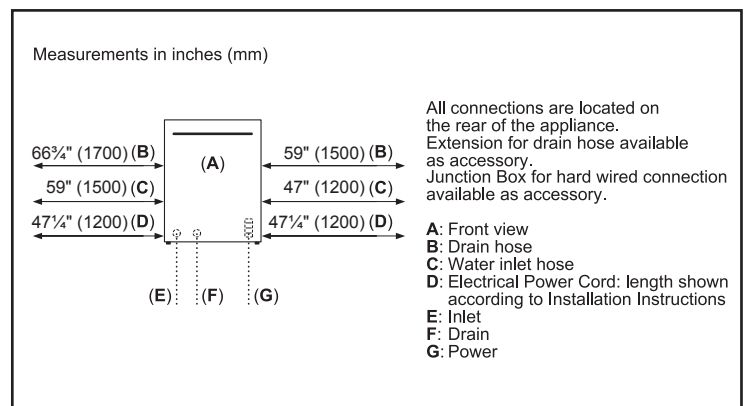
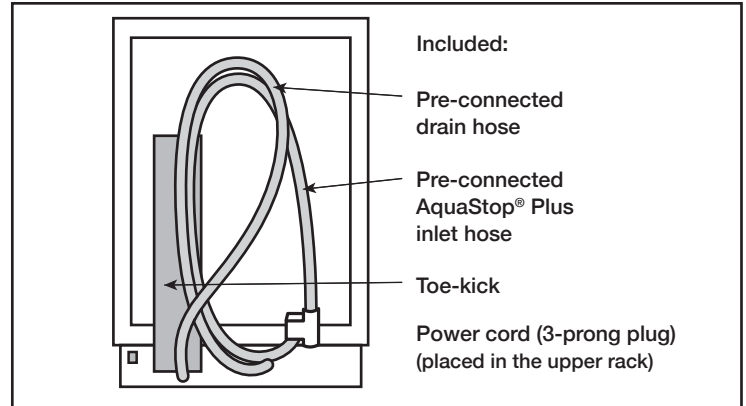
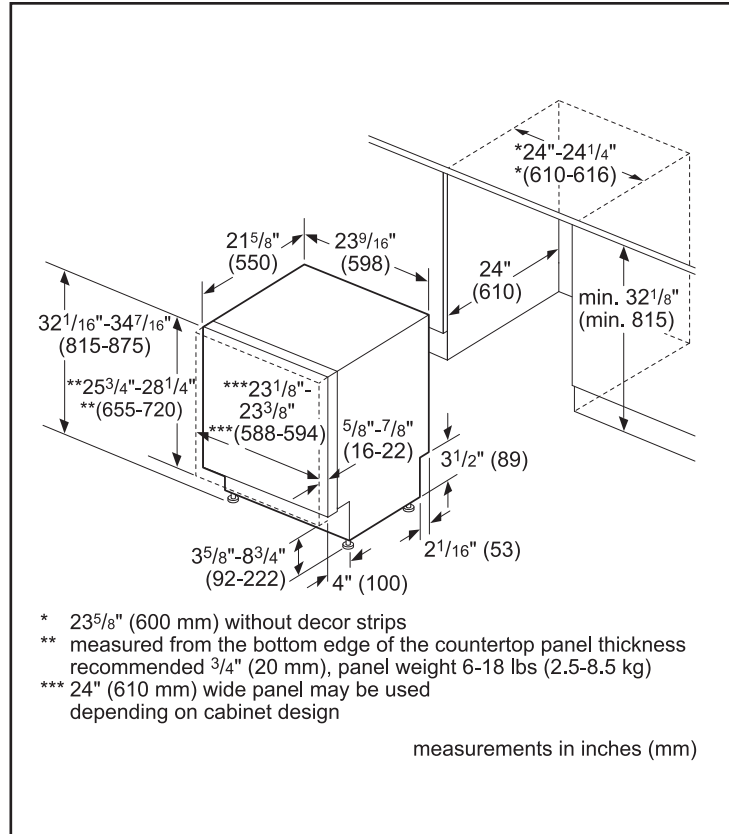
JAN16.0101



# 24" Custom Panel ADA-compliant Dishwasher

800 Series – Custom Panel SGV78B53UC

## Installation Details



**Accessories:** To purchase Bosch accessories, cleaners & parts please visit [www.bosch-home.com/us/store](http://www.bosch-home.com/us/store) or call 1-800-944-2904 (Mon to Fri 5 am to 6 pm PST, Sat 6 am to 3 pm PST).

**Notes:** All height, width and depth dimensions are shown in inches. BSH reserves the absolute and unrestricted right to change product materials and specifications, at any time, without notice. Consult the product's installation instructions for final dimensional data and other details prior to making cutout.

**Warranties:** Please see Use & Care manual or Bosch website for statement of limited warranty.

**For more information on our entire line of products, go to [www.bosch-home.com/us](http://www.bosch-home.com/us) or call 1-800-944-2904**

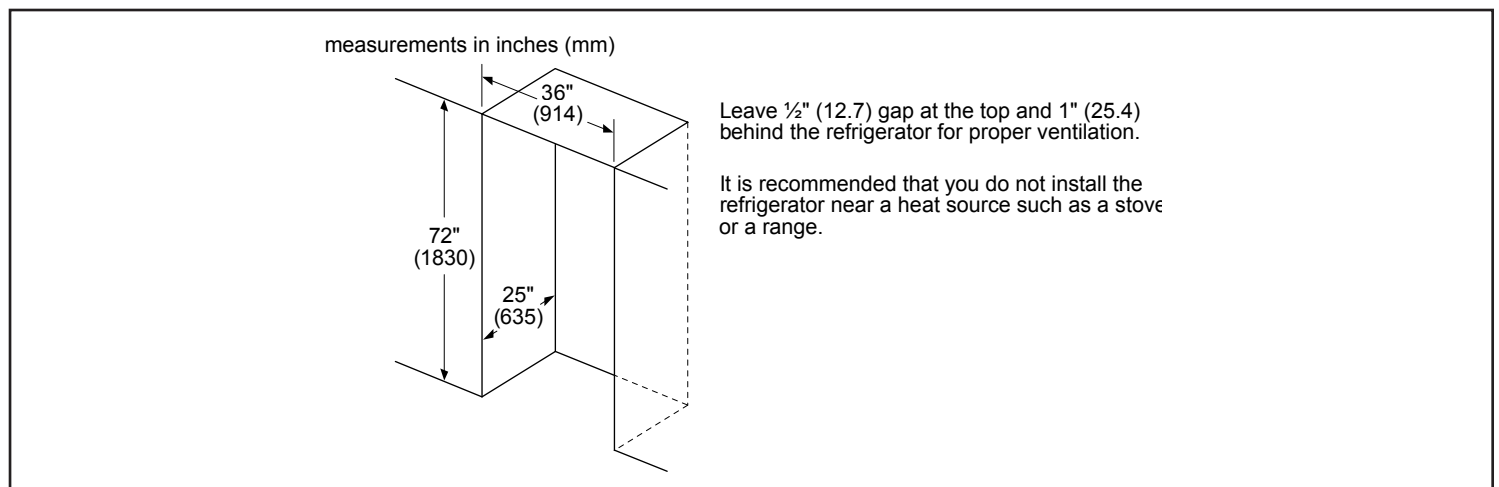
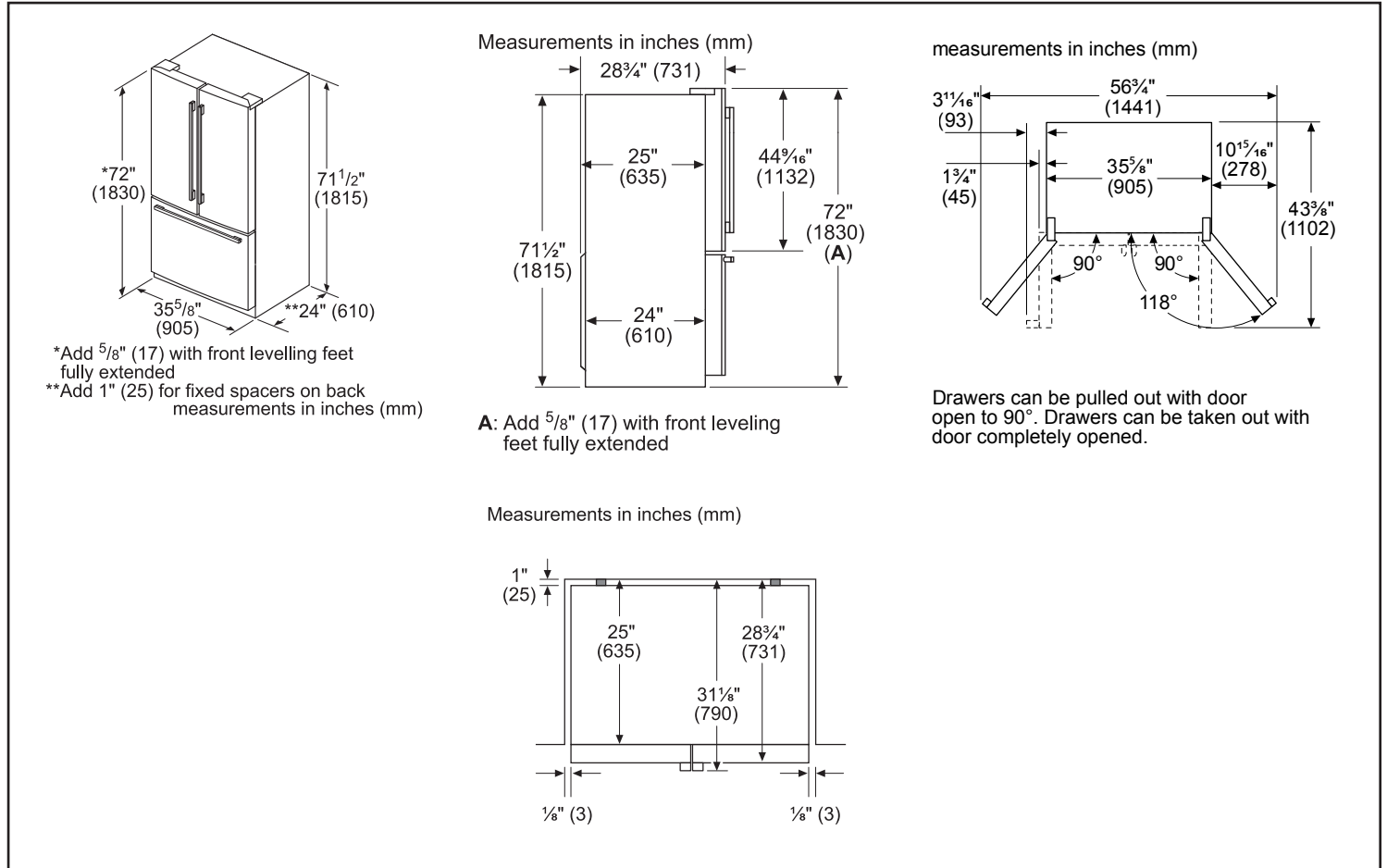
© BSH Home Appliances Corporation. All rights reserved. Bosch is a registered trademark of Robert Bosch GmbH.

# 36" Counter-Depth 3-Door Refrigerator

800 Series – Stainless Steel B36CT80SNS



## Installation Details



**Accessories:** To purchase Bosch accessories, cleaners & parts please visit [www.bosch-home.com/us/store](http://www.bosch-home.com/us/store) or call 1-800-944-2904 (Mon to Fri 5 am to 6 pm PST, Sat 6 am to 3 pm PST).

**Notes:** All height, width and depth dimensions are shown in inches. BSH reserves the absolute and unrestricted right to change product materials and specifications, at any time, without notice. Consult the product's installation instructions for final dimensional data and other details prior to making cutout.

**Warranties:** Please see Use & Care manual or Bosch website for statement of limited warranty.

**For more information on our entire line of products, go to [www.bosch-home.com/us](http://www.bosch-home.com/us) or call 1-800-944-2904**

© BSH Home Appliances Corporation. All rights reserved. Bosch is a registered trademark of Robert Bosch GmbH.

# 30" Microwave Combination Oven

500 Series – Stainless Steel HBL57M52UC

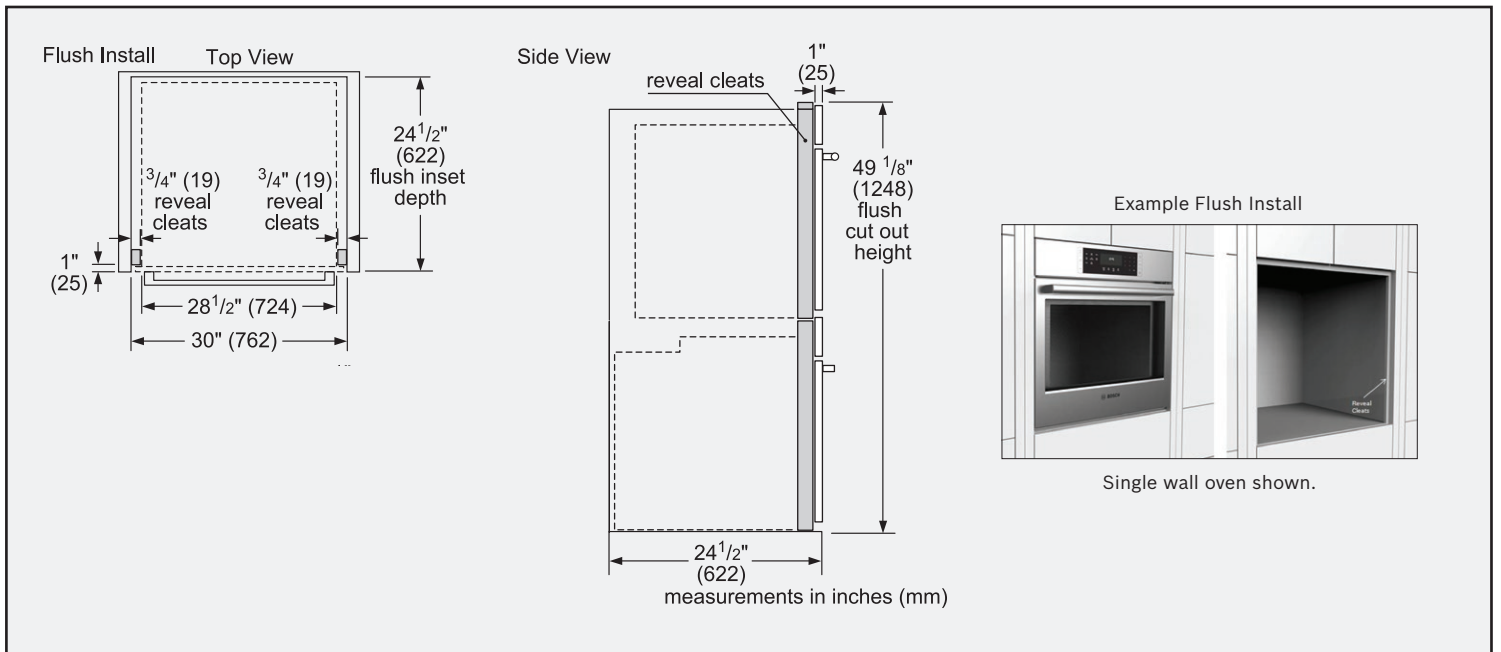
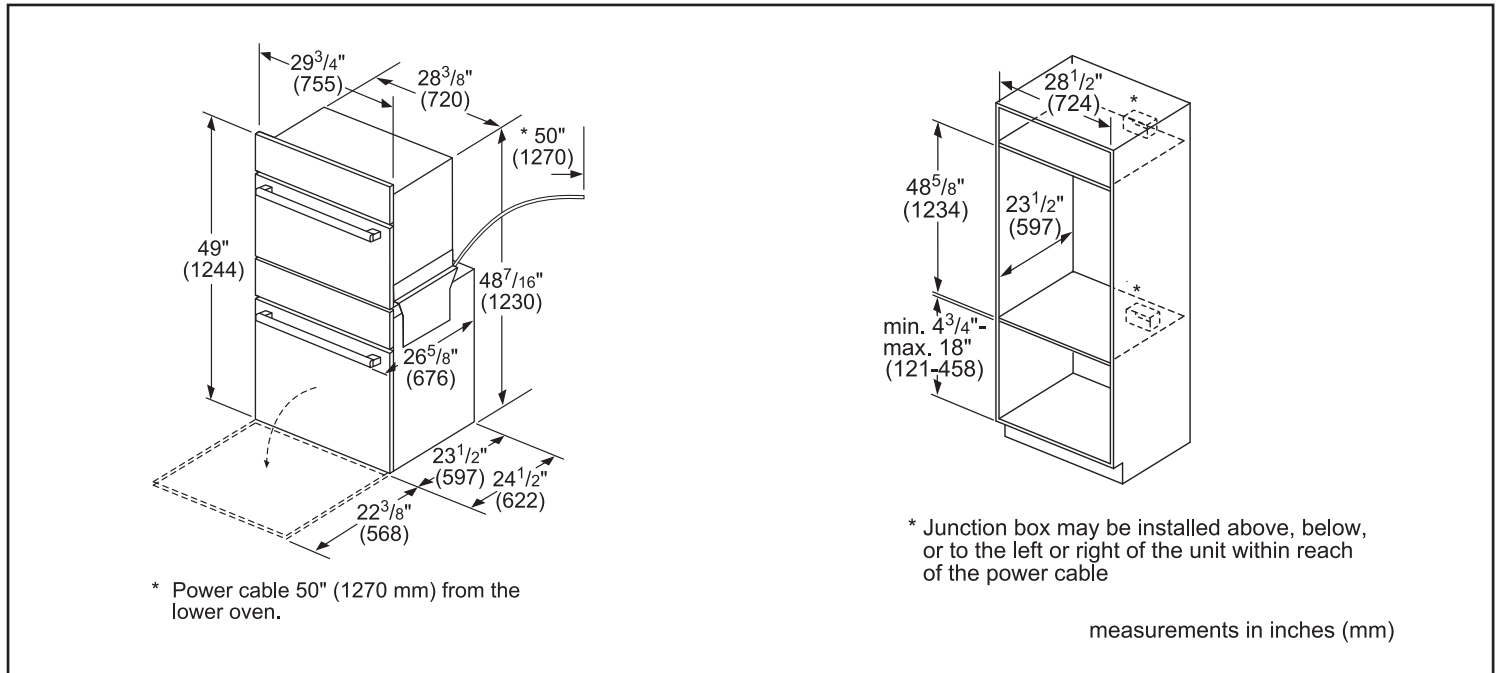


**BOSCH**

Invented for life



## Installation Details



**Accessories:** To purchase Bosch accessories, cleaners & parts please visit [www.bosch-home.com/us/store](http://www.bosch-home.com/us/store) or call 1-800-944-2904 (Mon to Fri 5 am to 6 pm PST, Sat 6 am to 3 pm PST).

**Notes:** All height, width and depth dimensions are shown in inches. BSH reserves the absolute and unrestricted right to change product materials and specifications, at any time, without notice. Consult the product's installation instructions for final dimensional data and other details prior to making cutout.

**Warranties:** Please see Use & Care manual or Bosch website for statement of limited warranty.

**For more information on our entire line of products, go to [www.bosch-home.com/us](http://www.bosch-home.com/us) or call 1-800-944-2904**

© BSH Home Appliances Corporation. All rights reserved. Bosch is a registered trademark of Robert Bosch GmbH.