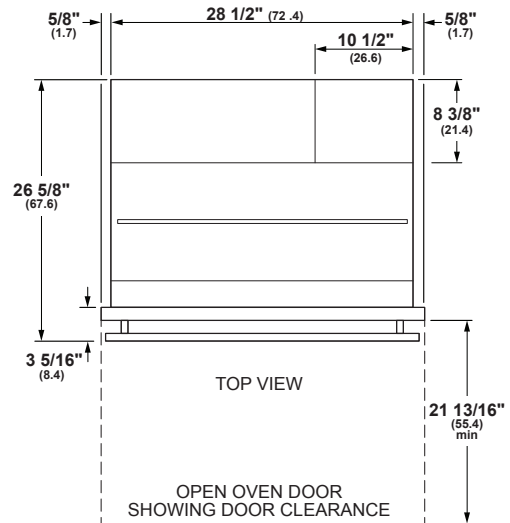
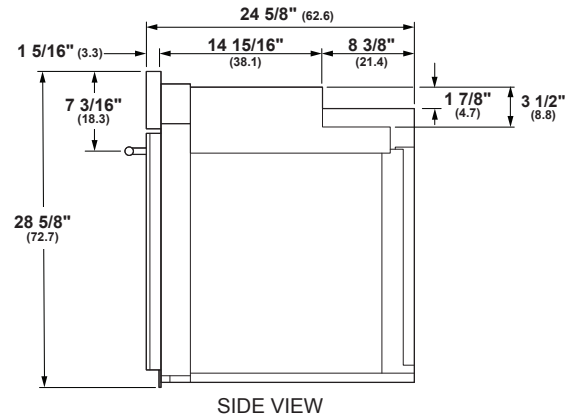
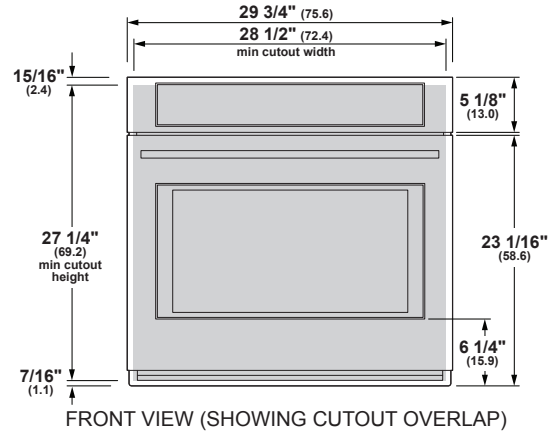




OVERALL DIMENSIONS



SPECIFICATIONS

Overall Width	29 3/4" (75.6 cm)
Overall Height	28 5/8" (72.7 cm)
Overall Depth Including Handle	26 5/8" (67.6 cm)
Oven Door Clearance	21 13/16" (55.4 cm)
Overall Oven Interior Capacity	5.0 cu. ft. (141.6 liters)
Oven Interior Dimensions (W x H x D)	25" x 17 3/8" x 20 1/4" (63.5 x 44.1 x 51.4 cm)
Minimum Cabinet Width*	30" (76.2 cm)
Minimum Cabinet Depth*	24" (61.0 cm)
Minimum Base Support	220 lbs. (99 kg)
Cutout Width*	28 1/2" (72.4 cm) Min 28 5/8" (72.7 cm) Max
Cutout Height*	27 1/4" (69.2 cm) Min 27 5/16" (69.4 cm) Max
Cutout Depth*	23 1/2" (59.7 cm) Min
Volts/Hertz/Amps	240/208 V AC, 60 Hz, 20A
Conduit Length	40" (72" available special order: WB18T10398)
Electrical Rating	3.4 kW at 208V 4.5 kW at 240V
Shipping Weight	184 lbs. (84 kg)

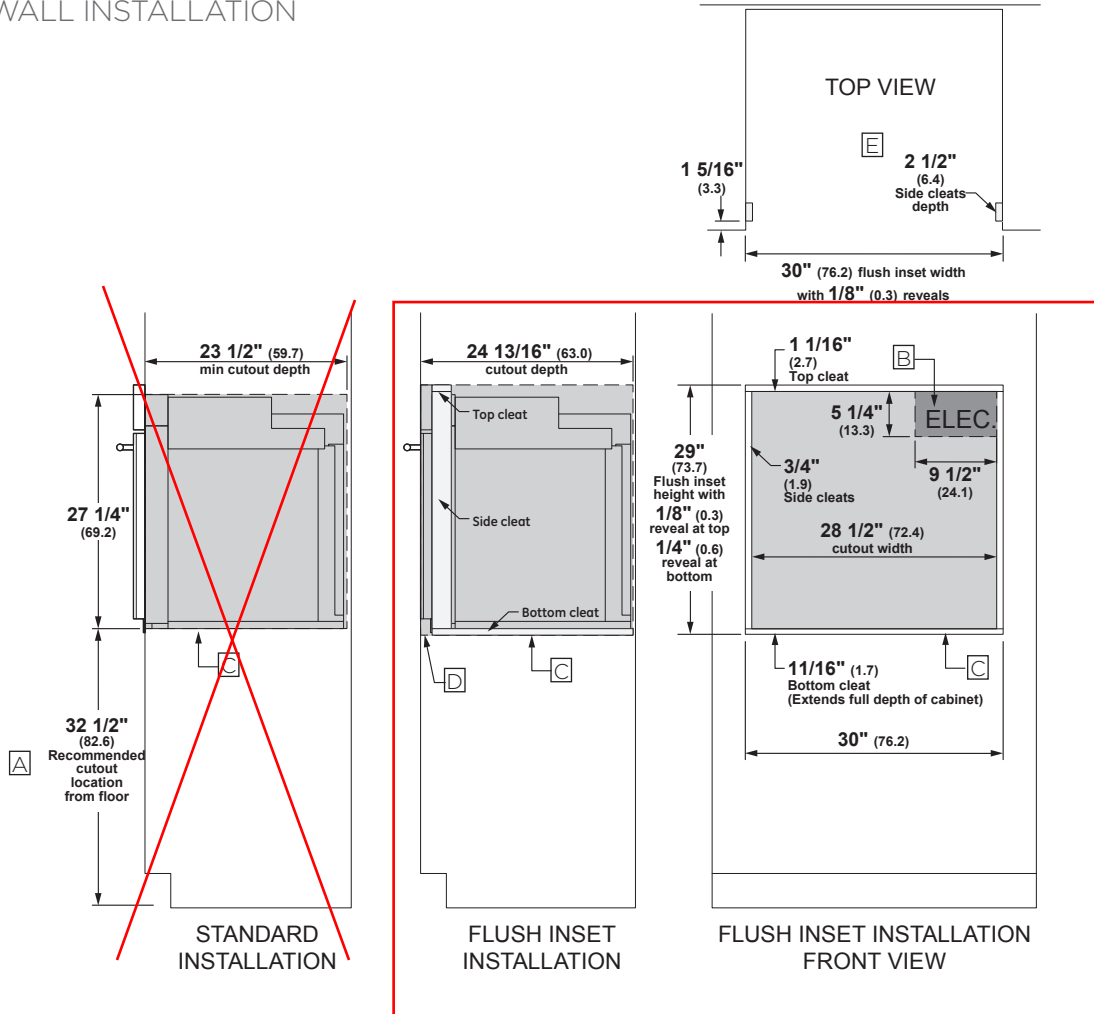
\* Additional space will be needed for flush installation.

ATTENTION ELECTRICIAN:

A 240/208V, 60Hz, 20 Amp circuit is required. An individual properly grounded branch circuit or circuit breaker is required. Hardware junction box is required for built-in product.

Dimensions in parentheses are in centimeters unless otherwise noted. Actual product dimensions may vary due to manufacturing tolerances.

WALL INSTALLATION

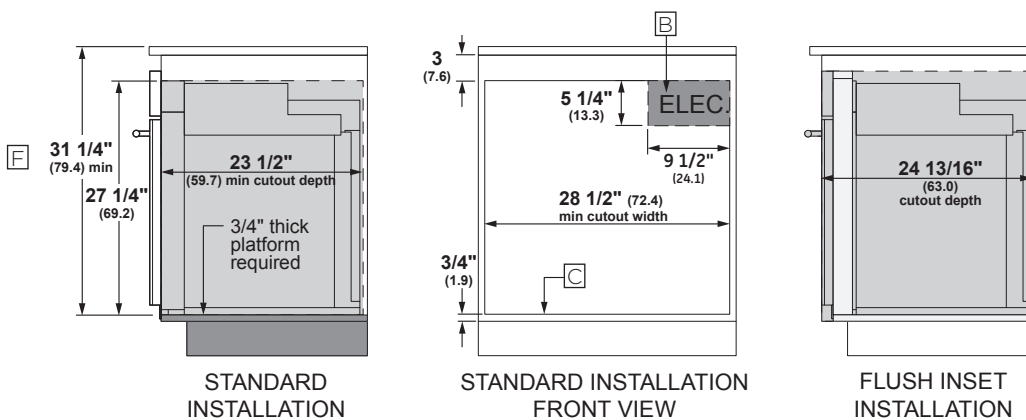


Allow 1/8" (0.3 cm) clearances from side edges of oven door.

NOTES

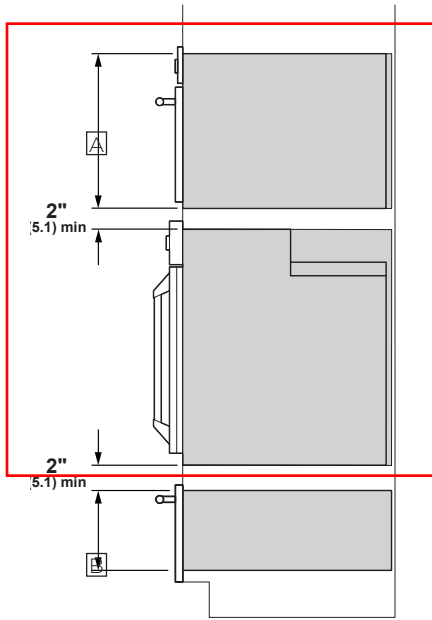
- A Based on a user height of 5' 6" to 5' 10"
- B Junction box location (May also be located in adjacent cabinet.)
- C Platform must be able to support 220 lbs (99 kg)
- D Cabinet surfaces must be an appearance finished surface for flush installation.
- E Cleats may be visible and should be finished to match cabinetry.
- F Minimum 31 1/4" from the top surface of the countertop to the top surface of the wall oven support platform when installed beneath a certified cooktop.

UNDERCOUNTER INSTALLATION



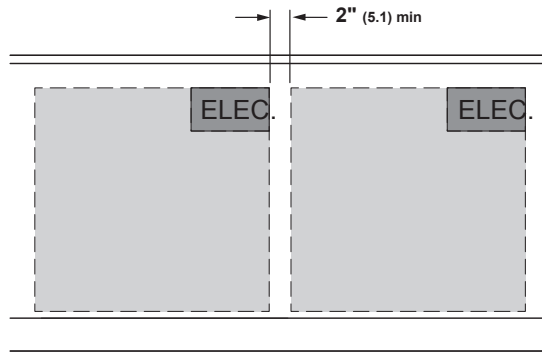
For more details, refer to the installation instructions for this product on Monogram.com. Dimensions in parentheses are in centimeters unless otherwise noted.

INSTALLATION WITH  
ADVANTIUM AND WARMING  
DRAWER



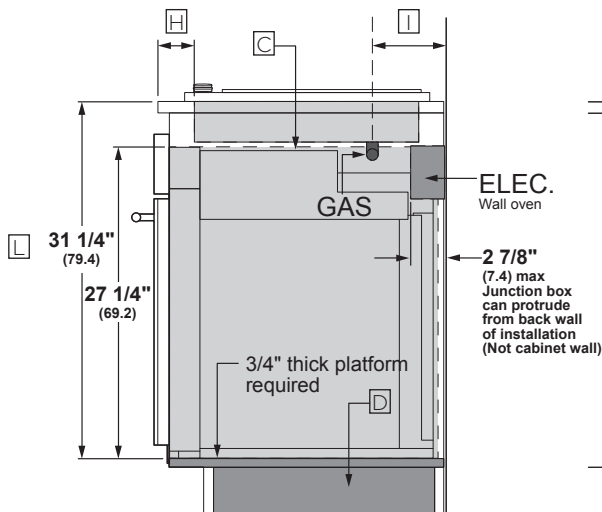
STANDARD INSTALLATION  
SIDE VIEW

SIDE BY SIDE INSTALLATION

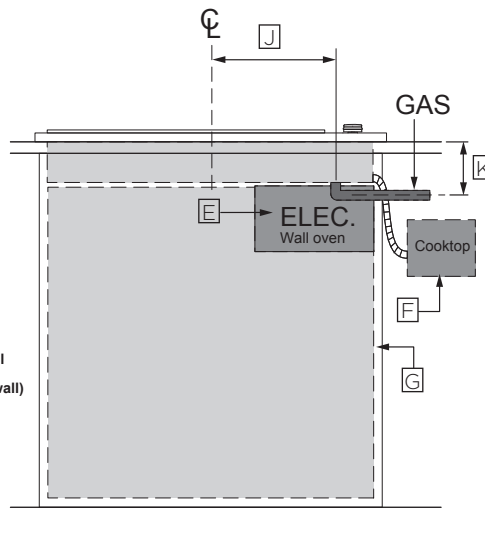


SIDE BY SIDE INSTALLATION  
FRONT VIEW OF CUTOUTS

UNDER COOKTOP INSTALLATION



STANDARD INSTALLATION  
SIDE VIEW



FRONT VIEW

NOTES

- A) Dimensions per Advantium or Microwave Oven requirements
- B) Dimension per Warming Drawer requirements
- C) Note this oven is only approved to be installed under specific models as labeled on this unit.
- D) Support platform made of 3/4" (1.9 cm) wood is required. Must be capable of supporting 220 lbs (99 kg). Support Platform base to be same height as toe kick.
- E) Junction box location for wall oven. (May also be located in adjacent cabinet).
- F) Gas regulator and electric connections for cooktops must be located in an adjacent accessible location to the right
- G) Top and/or side fillers may be necessary if unit is positioned between existing cabinets. Be sure they are attached securely, since they will anchor the oven in the cabinet.
- H) For flush oven installations, the cooktop cutout must be set back 2 1/2" (6.4 cm) plus the cleat setback.
- I) Dimension varies based on model.  
example:  
ZGU385 5 1/2" (14.0 cm) (from wall)  
ZGU384 4 5/16" (11.0 cm) (from wall)
- J) Dimension varies based on model.  
example:  
ZGU385 0" (centerline)  
ZGU384 12 1/16" (30.6 cm) (centerline)
- K) Dimension varies based on model ZGU385: 5 1/2" (13.9) requires use of a 90° 1/2" FPT x 1/2" FL brass street elbow ZGU384: 5" (12.7)
- L) From the top surface of the countertop to the top surface of the wall oven support platform

For more details, refer to the installation instructions for this product on Monogram.com. Dimensions in parentheses are in centimeters unless otherwise noted.





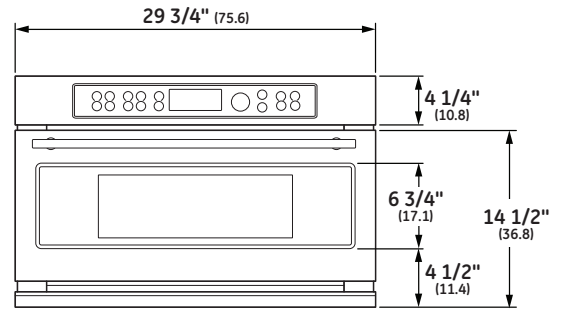
SPECIFICATIONS

Overall Width	29 3/4" (75.6 cm)
Overall Height	19" (48.3 cm)
Overall Depth	21 1/2" (54.6 cm)
Oven Door Clearance	13" (33.0 cm)
Overall Oven Interior Capacity	1.6 cu. ft. (.05 cu. cm)
Oven Interior Dimensions (W x H x D)	20 1/16" x 8 1/2" x 17" (51 cm x 21.6 cm x 43.2 cm)
Minimum Cabinet Width	30" (76.2 cm)
Minimum Cabinet Depth	21 1/2" (54.6 cm)
Minimum Base Support	130 lbs (59 kg)
Cutout Width	25 1/4" (64.1 cm)
Cutout Height	17 1/2" (44.5cm)
Cutout Depth	21 1/2" (54.6 cm) Min
Voltz/Hertz/Amps	120 VAC, 60 Hz, 15 Amps
Conduit Length	48" (121.9 cm)
Electrical Rating	1.8 kW at 120V
Total Amps	6.3 kW at 240V
Shipping Weight	87 lbs (39.5 kg)

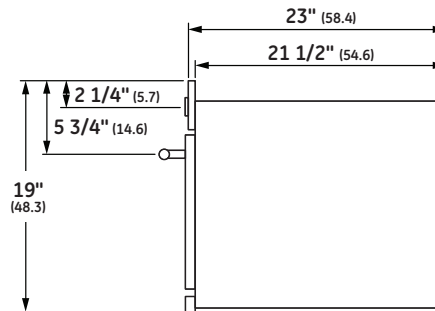
ATTENTION ELECTRICIAN:

A 120V, 60Hz, 15 Amp circuit is required. An individual properly grounded branch circuit or circuit breaker is required. Hardware junction box is required for built-in product.

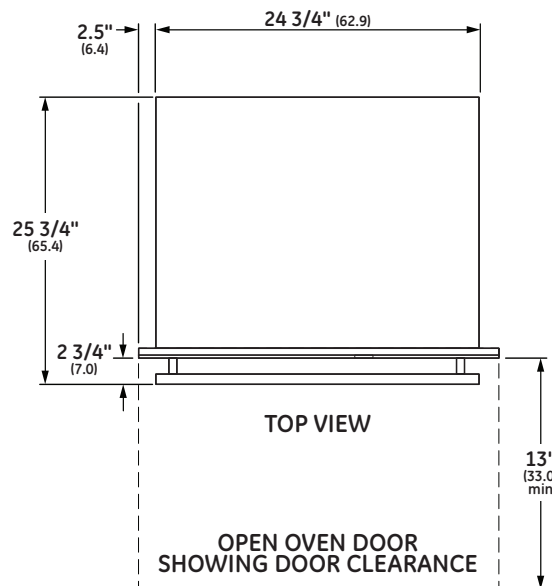
OVERALL DIMENSIONS



FRONT VIEW (SHOWING CUTOUT OVERLAP)



SIDE VIEW

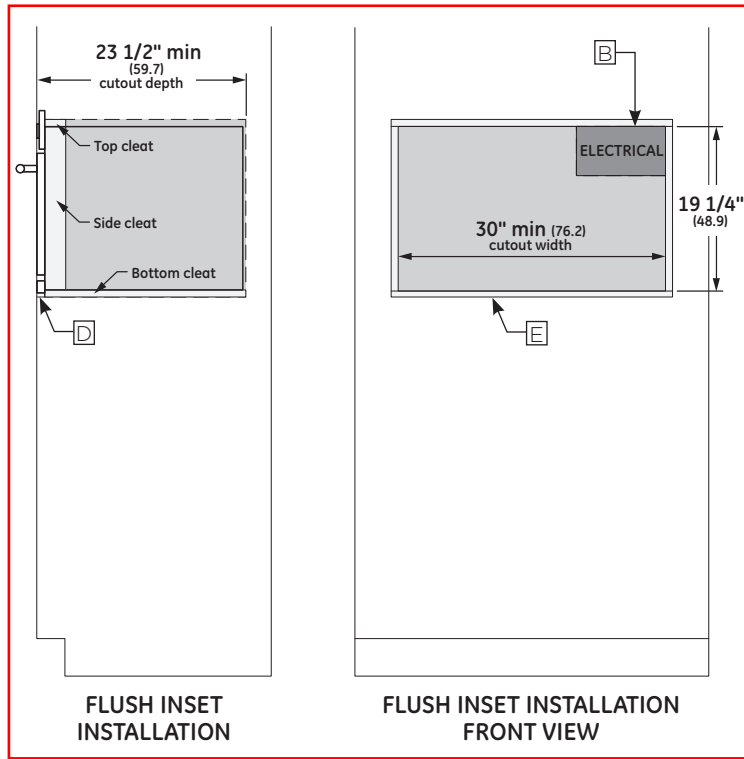
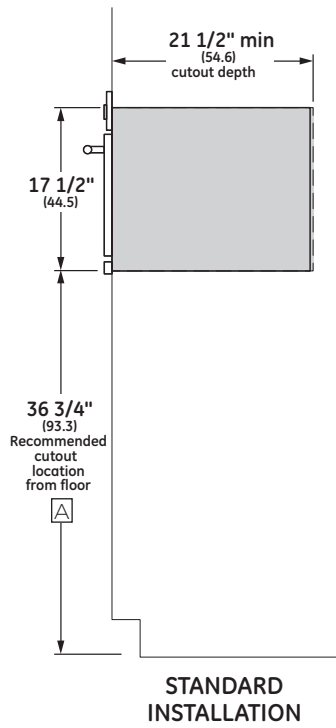


TOP VIEW

OPEN OVEN DOOR  
SHOWING DOOR CLEARANCE

Dimensions in parentheses are in centimeters unless otherwise noted. Actual product dimensions may vary due to manufacturing tolerances.

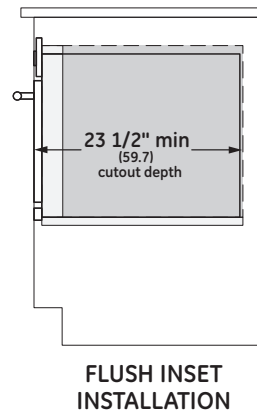
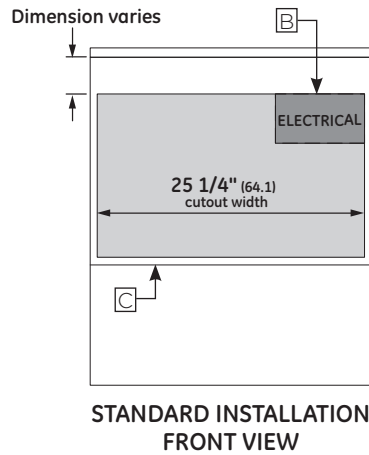
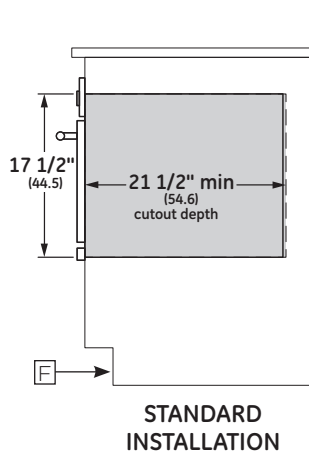
WALL INSTALLATION



NOTES

- Ⓐ Based on a user height of 5' 6" to 5' 10"
- Ⓑ Junction box location (May also be located in adjacent cabinet.)
- Ⓒ Platform must be able to support 130 lbs (59 kg)
- Ⓓ Top surface of cabinet must be an appearance finished surface for flush installation.
- Ⓔ Cleats may be visible and should be finished to match cabinetry.
- Ⓕ Maximum toe kick height of 4" when installed beneath a certified cooktop.

UNDERCOUNTER INSTALLATION



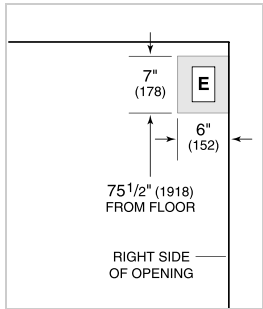
For more details, refer to the installation instructions for this product on Monogram.com. Dimensions in parentheses are in centimeters unless otherwise noted.

#ICBBI-48SD/S

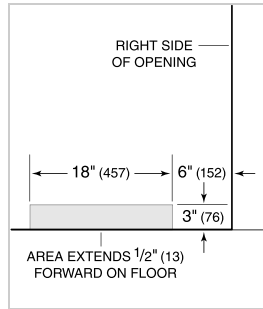
PRODUCT SPECIFICATIONS

Model	ICBBI-48SD/S
Dimensions	1219mmW x 2134mmH x 610mmD
Door Clearance	762mm
Weight	298 kg
Refrigerator Capacity	566 L
Freezer Capacity	308 L
Electrical Supply	220-240 VAC; 50/60 Hz
Electrical Service	≤ 4 A
Receptacle	3-prong grounding-type

ELECTRICAL



PLUMBING



NOTE:

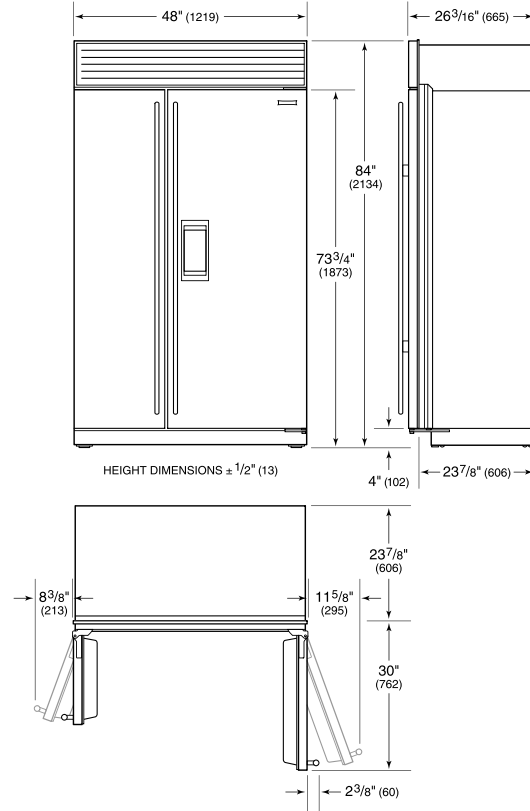
Dimensions in parenthesis are in millimeters unless otherwise specified

INTERIOR VIEW

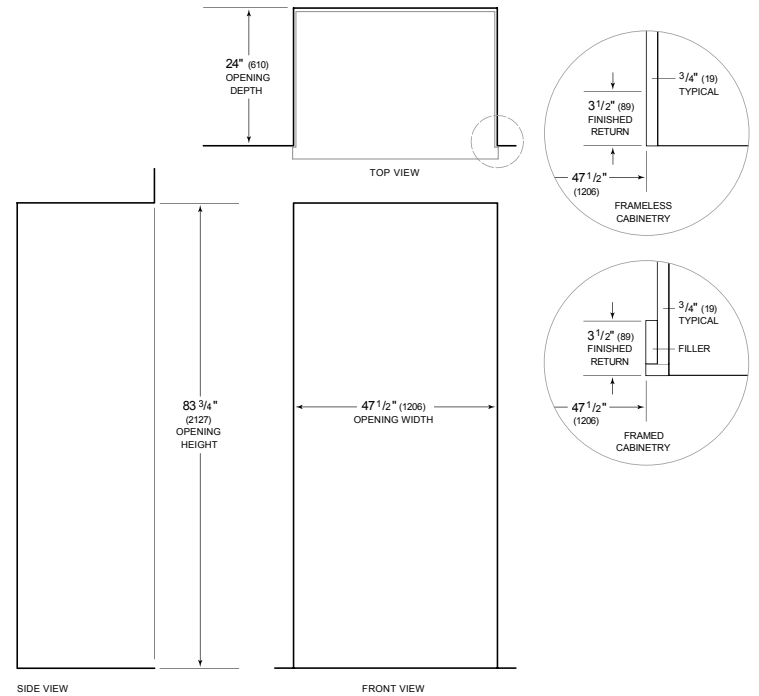


This illustration is intended for interior reference only and may not represent the exterior of the model being specified.

DIMENSIONS



STANDARD INSTALLATION



NOTE: 3 1/2" (89) finished returns will be visible and should be finished to match cabinetry. Shaded line represents profile of unit.



**SPECIFICATIONS**

Overall Width	36" (91.4 cm)
Overall Depth	20 3/8" (51.8 cm)
Overall Height	4 5/8" (11.8 cm)
Cut-out Width	33 7/8" (86.0 cm)
Cut-out Depth	19 1/8" (48.6 cm)
Conduit Length	48" (122 cm)
Electrical Rating	11,100W at 240V/60Hz 9,600W at 208V/60Hz
Recommended Circuit Breaker Size	50 Amps
Net Weight	48 lbs. (21.8 kg)
Approx. Shipping Weight	58 lbs. (27.6 kg)

**OPTIONAL ACCESSORIES**

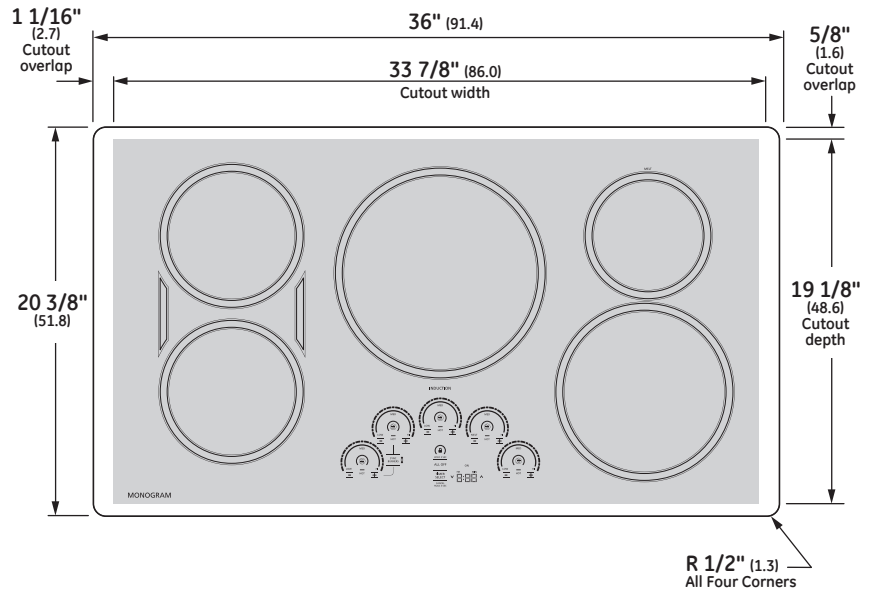
Precision Cooking Kit	JXSOUSV1
Flush-Mount Kit	JXFLUSH1

**ATTENTION ELECTRICIAN:**

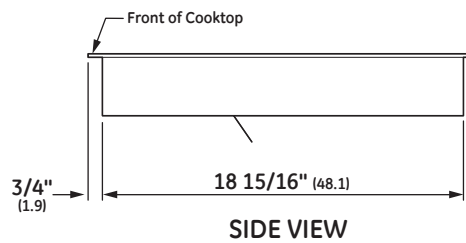
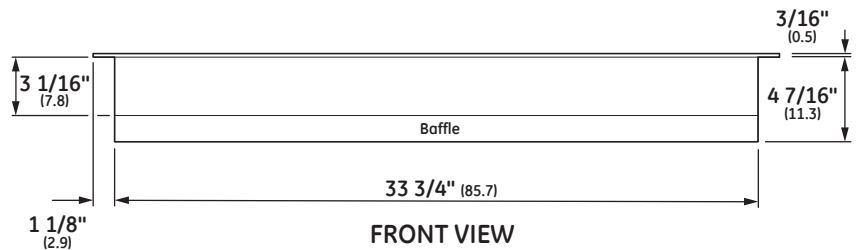
This cooktop is provided with a 48" flexible conduit and must be hard wired (direct wired) into an approved junction box and be properly grounded. It is not permitted to use a "plug and receptacle" type installation on this cooktop.

Use a two-wire, three conductor 208/240 VAC, 60 Hertz electrical system. A white (neutral) wire is not needed for this cooktop.

**OVERALL DIMENSIONS**



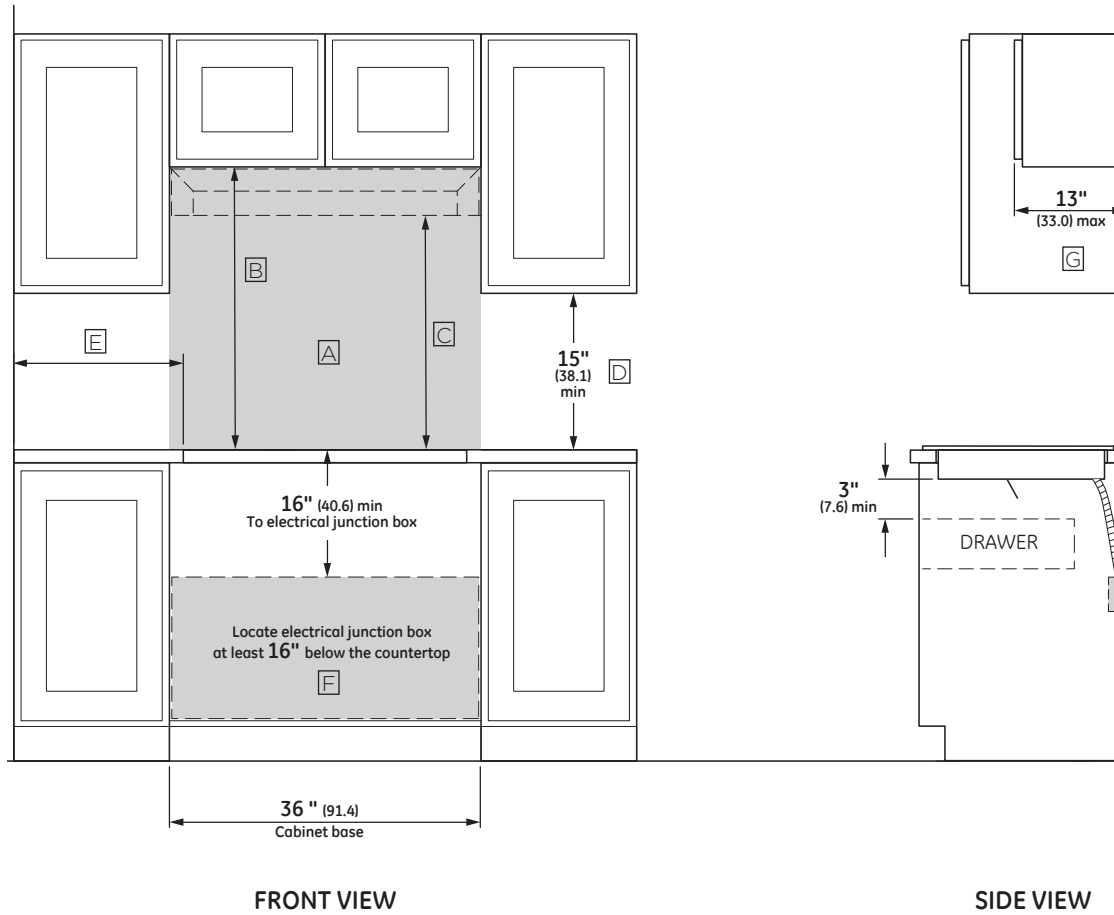
**TOP VIEW (SHOWING CUTOUT OVERLAP)**



Dimensions in parentheses are in centimeters unless otherwise noted. Actual product dimensions may vary due to manufacturing tolerances.



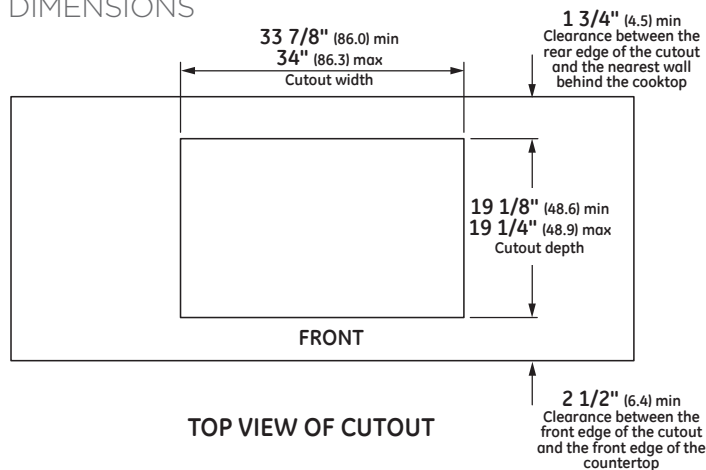
INSTALLATION



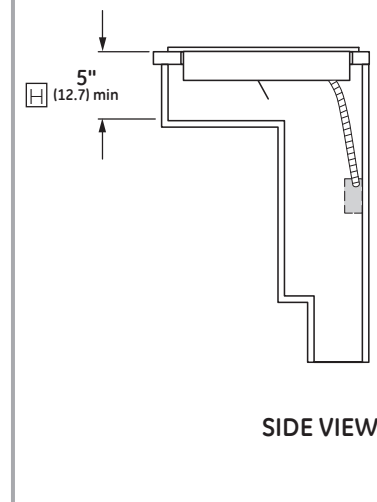
NOTES

- A** Wall coverings, countertop and cabinets surrounding cooktop must be able to withstand temperatures of up to 200°F.
- B** Minimum 30" clearance from countertop to unprotected overhead surfaces, when no ventilation hood or microwave oven is installed.
- C** When using a ventilation hood or microwave oven above the cooktop, see hood or microwave installation instructions for minimum overhead clearance dimensions.
- D** Minimum 15" of clearance from countertop to nearest overhead surface on both sides of cooktop. Make sure to include any lighting rail covers in calculation.
- E** Minimum 2" distance from edge of cutout to nearest adjacent side wall below upper cabinets.
- F** Install an approved junction box where it can be easily reached through the front of the cabinet where the cooktop is located. **IMPORTANT:** For serviceability, the junction box must be located where it will allow considerable slack in the 48" long conduit.
- G** Maximum 13" depth of unprotected overhead surfaces, when no ventilation hood or microwave oven is installed.
- H** For Americans with Disabilities Act (ADA) forward approach installation: Minimum 5" clearance between the top of the countertop and the enclosure. The enclosure must be made of at least 1/4" thick wood material, and must have an access panel installed in order to provide access to the junction box and hold-down brackets, and to allow for service of the cooktop.

COUNTERTOP CUT-OUT DIMENSIONS



ADA INSTALLATION



Dimensions in parentheses are in centimeters unless otherwise noted.





ARC

LUX

ISLAND

Enjoy unobstructed views of your kitchen with the modern, minimalist lines of the Lux. This sleek hood includes a wireless remote control, and it discreetly mounts into the ceiling above your range or cooktop for power and good

looks combined. Your kitchen will stay clean and smoke free with the Lux's Perimeter Aspiration and multiple blower options, and the tri-level LED light strip ensures a good-looking glow. Available in White and Stainless Steel.

**ZEPHYR 43" Hood #ALUE43AWX**

**ZEPHYR**

ZEPHYRONLINE.COM



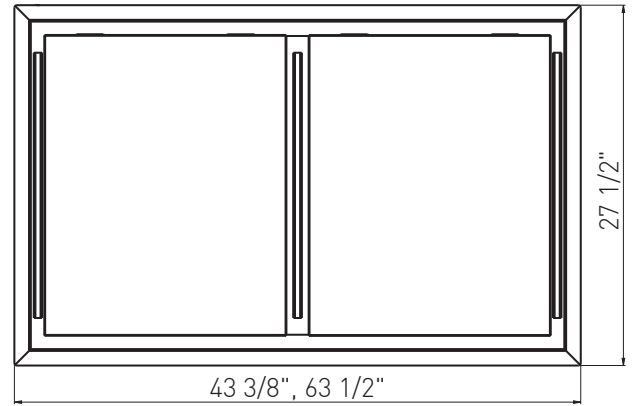
63" Stainless Steel



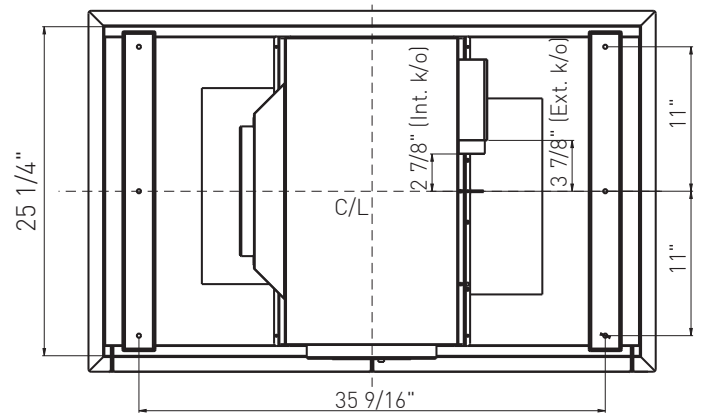
43" White



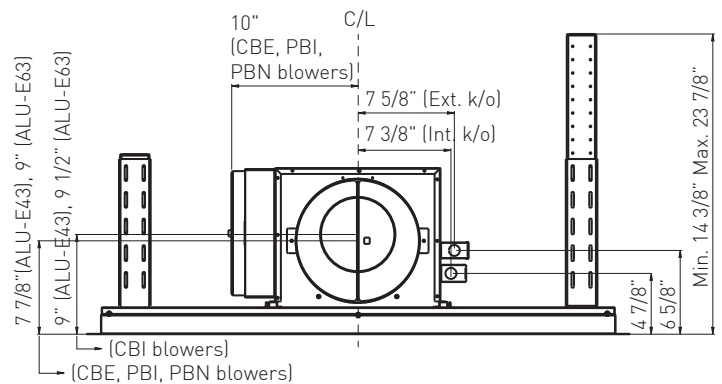
Wireless Remote Control



Front\*



Top



Side

\*ALU-E43 has 2 panels, ALU-E63 has 3 panels

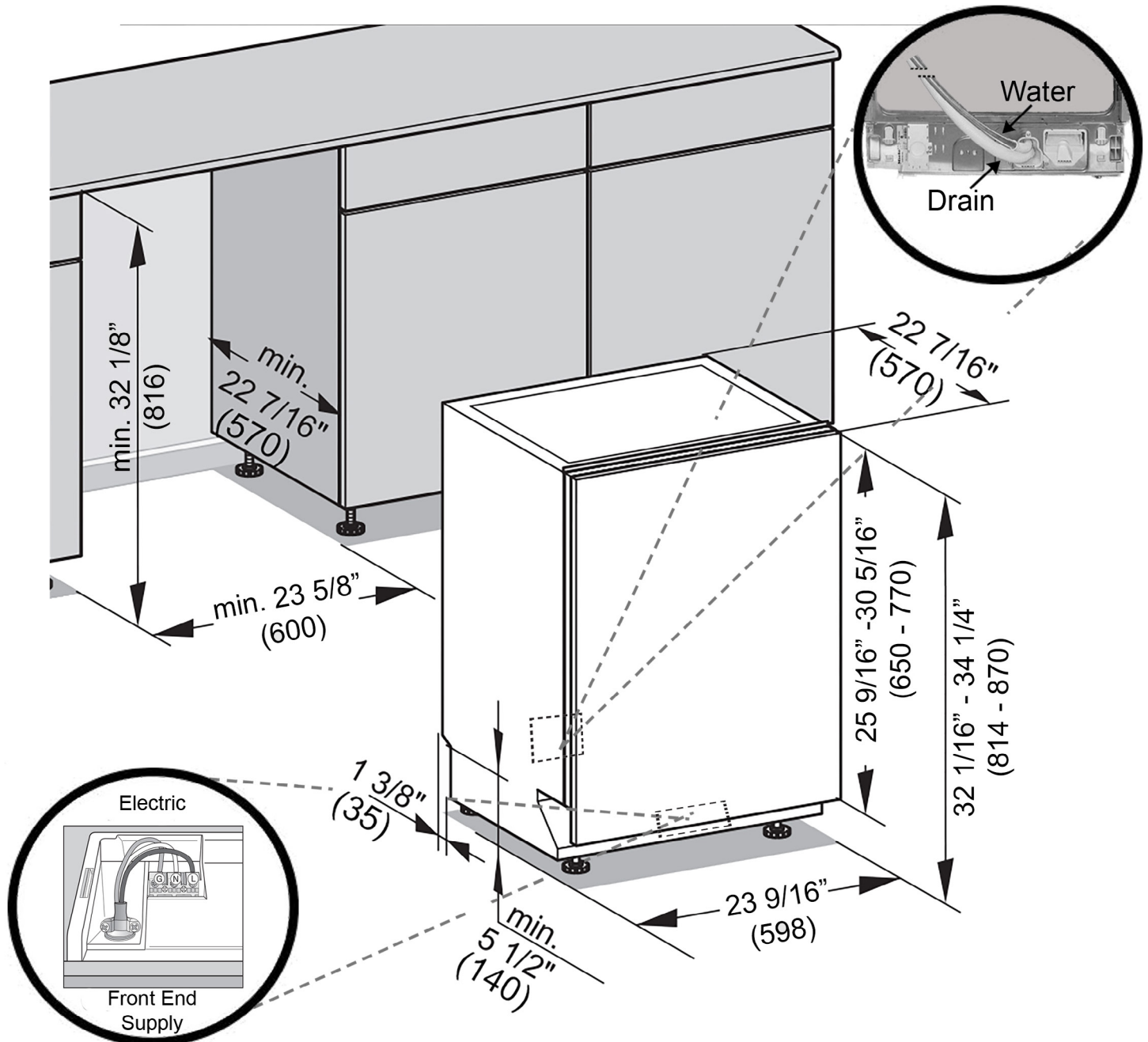
# Classic Plus

## Fully Integrated Dishwasher 6" ToeKick

**Miele**

**#G 4971 SCVi**

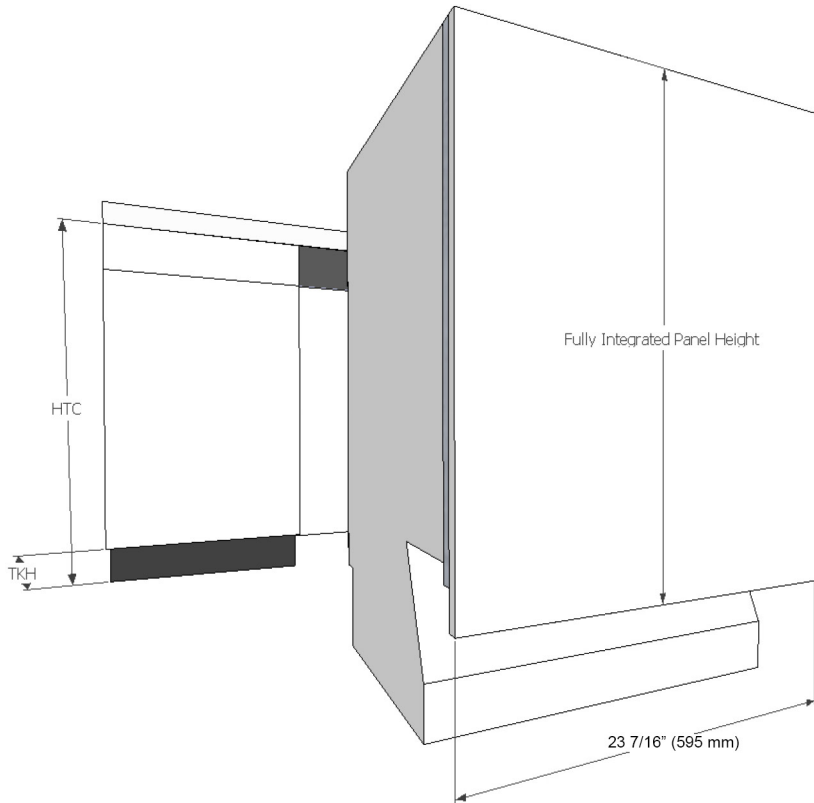
### INSTALLATION SPECIFICATIONS



- Drain** - 4 ft 11 in (1.5 m) flexible drain hose. (Connects from lower center rear)
- Water** - 4 ft 11 in (1.5 m) flexible water intake hose with 3/8" compression fitting. (Connects from lower center rear)
- Electric** - 4 ft 11 in (1.5 m) 120V 15 A 3 wire molded NEMA 5-15 plug power supply. (Connects via Front End Supply or may be hardwired)

### Custom Panel Installation

Some Miele dishwashers do not come equipped with a front panel. These dishwashers are designed to accept a custom door panel supplied by a cabinet maker. Miele has a unique panel integration system which allows the dishwasher to align with the surrounding cabinets.



**Width:** 23 7/16" (595 mm) in all Cases  
**Thickness:** 3/4" (19 mm) in all Cases  
**Height:** Determined using the following calculation:

$$\text{Panel Height} = \text{HTC} - \text{TKH}$$

**HTC** = Height to the underside of countertop  
**TKH** = Toe kick height

**Note:** Control panel is along the top edge of the unit. It is not visible when the unit is closed. A handle **MUST** be located on front of panel in order to open unit. (Except K2o models).

Maximum panel height: 30 5/16" (770 mm)

Minimum panel height: 25 9/16" (650 mm)

Maximum panel weight: 21 lbs (9.5 kg)

### GFVI Installations

Miele offers pre-fabricated stainless steel panels for all fully integrated units. These panels are designed for various toe-kick heights and offer a choice of handle options. See Miele Product Brochure for more info.