

H 6870 BM

30" Speed Oven

SPECIFICATIONS	
Overall Dimensions - Excluding Fascia Dimension	22 ¹ / ₁₆ " (560 mm) W x 17 ¹ / ₂ " (444.7 mm) H x 21 ¹¹ / ₁₆ " (550.8 mm) D
Overall Fascia Dimensions	29 ¹³ / ₁₆ " (757 mm) W x 18 ⁷ / ₈ " (479 mm) H x ⁷ / ₈ " (22 [*] /23 ^{**} mm) D *Oven with glass/**Oven with metal
Oven Door Clearance	13 ¹ / ₈ " (333 mm)
Shelf	
Minimum Base Support	125 lbs
Electrical	
Electrical Requirements	120/208-240V, 60Hz, 30A
Power Cord	Molded NEMA 14-30 plug, 6 ft. (1.8 m)
Electrical Rating	4kW (120/240V), 3kW (120/208V)
Shipping	
Shipping Weight	152 lbs
Shipping Dimensions	26 ³ / ₈ " (727 mm) W x 23 ¹ / ₄ " (630 mm) H x 27 ¹ / ₈ " (686 mm) L
Support	
Call Miele	(800) 999-1360
Miele Website	www.mieleusa.com
20/20 Link	2020technologies.com

ContourLine:



H 6570 BM - SensorTronic
Item 22657054USA



H 6770 BM - M Touch
Item 22677054USA

PureLine:



H 6670 BM - SensorTronic
Item 22667054USA



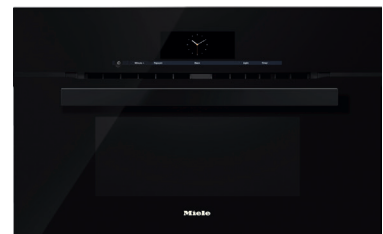
H 6870 BM - M Touch
Item 22687054USA



H 6870 BM BRWS - M Touch
Item 22687014USA



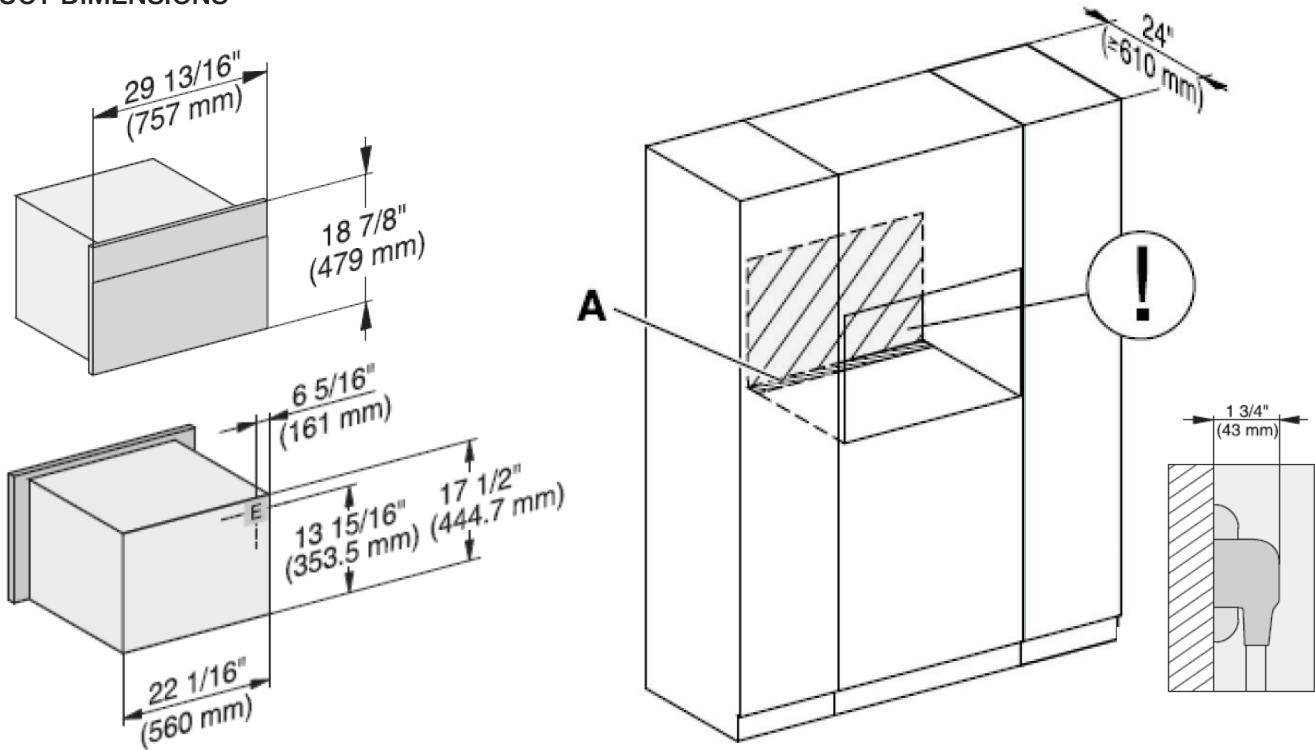
H 6870 BM GRGR - M Touch
Item 22687044USA



H 6870 BM OBSW - M Touch
Item 22687024USA

30" Speed Oven - Proud Installation

PRODUCT DIMENSIONS

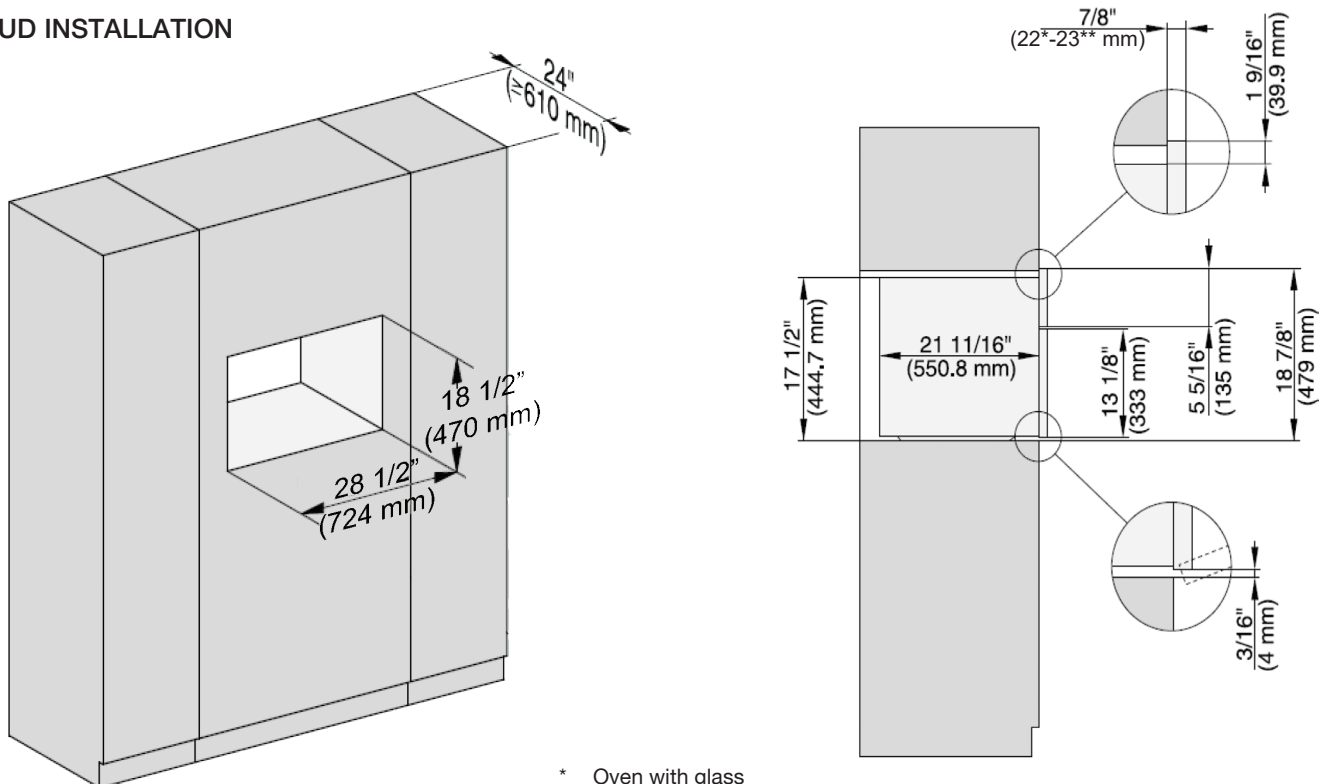


A - Cut-out (4" x 28" / 100 mm x 720 mm) in the bottom of the cabinet for power cord and ventilation

- ⚠ - Electrical and water supplies are recommended to be placed in adjacent cabinetry.
Additional cabinet depth is required when placing the electrical and water supplies behind the appliance.

E = Electric connection

PROUD INSTALLATION



* Oven with glass
** Oven with metal

H 6880-2 BP

30" Convection Oven - M Touch

SPECIFICATIONS	
Overall Dimensions - Excluding Fascia Dimension	28 ⁷ / ₁₆ " (722 mm) W x 27 ³ / ₄ " (705 mm) H x 23 ³ / ₄ " (602.8mm) D
Overall Fascia Dimensions	29 ¹³ / ₁₆ " (757 mm) W x 28 ⁵ / ₈ " (727 mm) H x 7 ⁷ / ₈ " (22 [*] /23 ^{**} mm) D *Oven with glass/**Oven with metal
Oven Door Clearance	22 ⁵ / ₈ " (574 mm)
Shelf	
Minimum Base Support	240 lbs (109 kg)
Plumbing	
Water Supply Requirements	Connect to a cold water supply with an inline water filter only. Must be connected to a shut-off valve. The water shut-off valve must be accessible after installation. The water pressure must be between 14.5 psi (1 bar) and may not exceed 145 psi (10 bar). If the pressure is higher than 145 psi (10 bar), a pressure reducing valve must be installed.
Plumbed Hose Connection	Supplied hose: flexible braided 4'11" (1.5 m) with 3/8" Compression fitting for connection to a shut off valve. The hose must not be shortened. The entire hose length must not exceed 24'7" (7.5 m).
Electrical	
Electrical Requirements	120/208-240V, 60Hz, 30A
Power Cord	Molded NEMA 14-30 plug, 6 ft. (1.8 m)
Electrical Rating	6.7kW (120/240V), 5kW (120/208V)
Shipping	
Shipping Weight	216 lbs (98 kg)
Shipping Dimensions	32 ¹¹ / ₁₆ " (830 mm) W x 35 ¹ / ₁₆ " (890 mm) H x 30 ⁵ / ₁₆ " (770 mm)L
Support	
Call Miele	(800) 999-1360
Miele Website	www.mieleusa.com
20/20 Link	2020technologies.com

ContourLine:



H 6780-2 BP - M Touch
Item 22678153USA

PureLine:



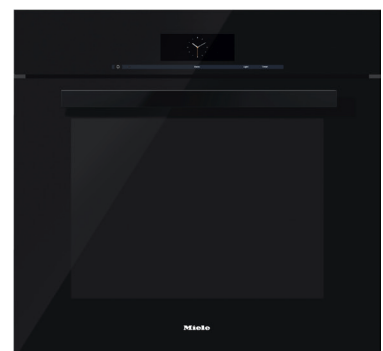
H 6880-2 BP - M Touch
Item 22688153USA



H 6880-2 BP GRGR - M Touch
Item 22688143USA



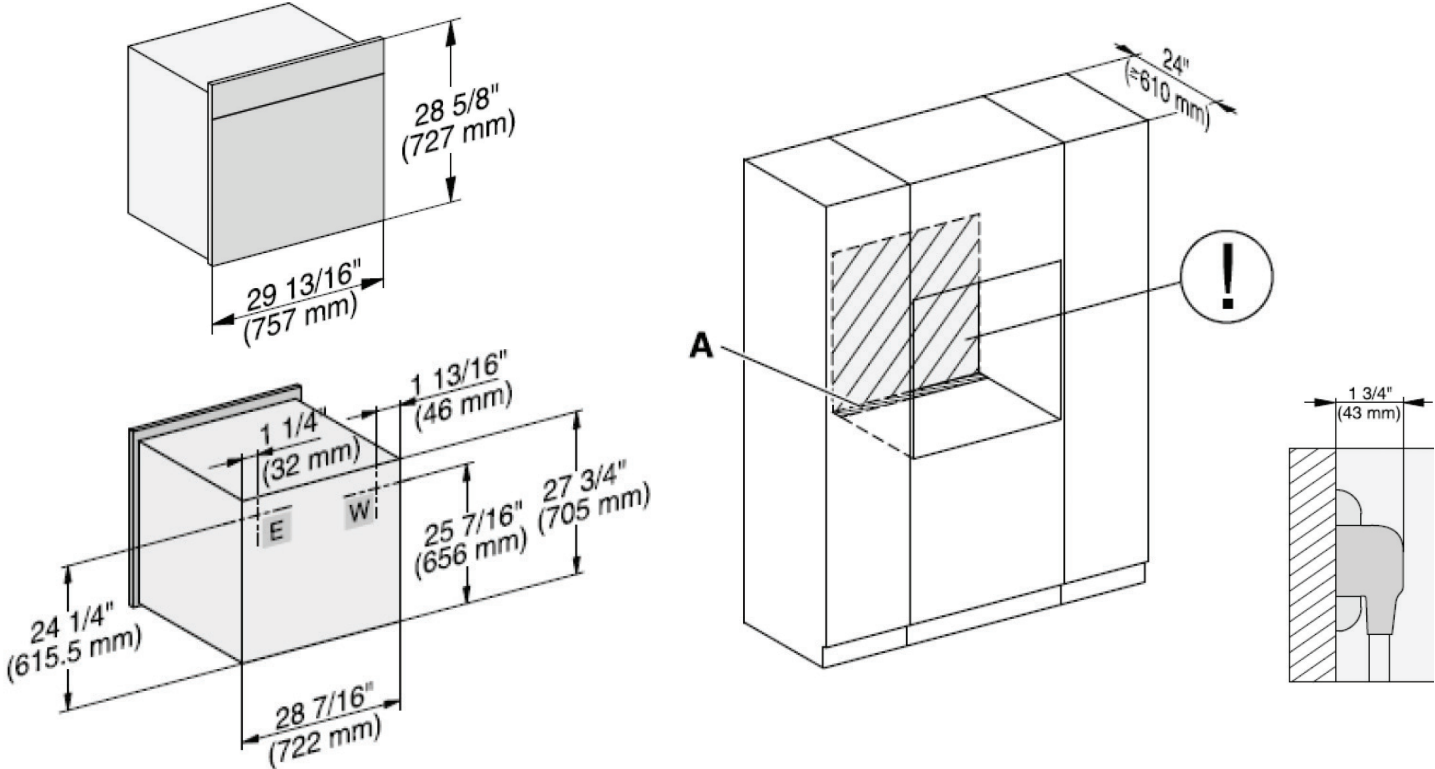
H 6880-2 BP BRWS - M Touch
Item 22688113USA



H 6880-2 BP OBSW - M Touch
Item 22688123USA

30" Convection Oven - Proud Installation

PRODUCT DIMENSIONS

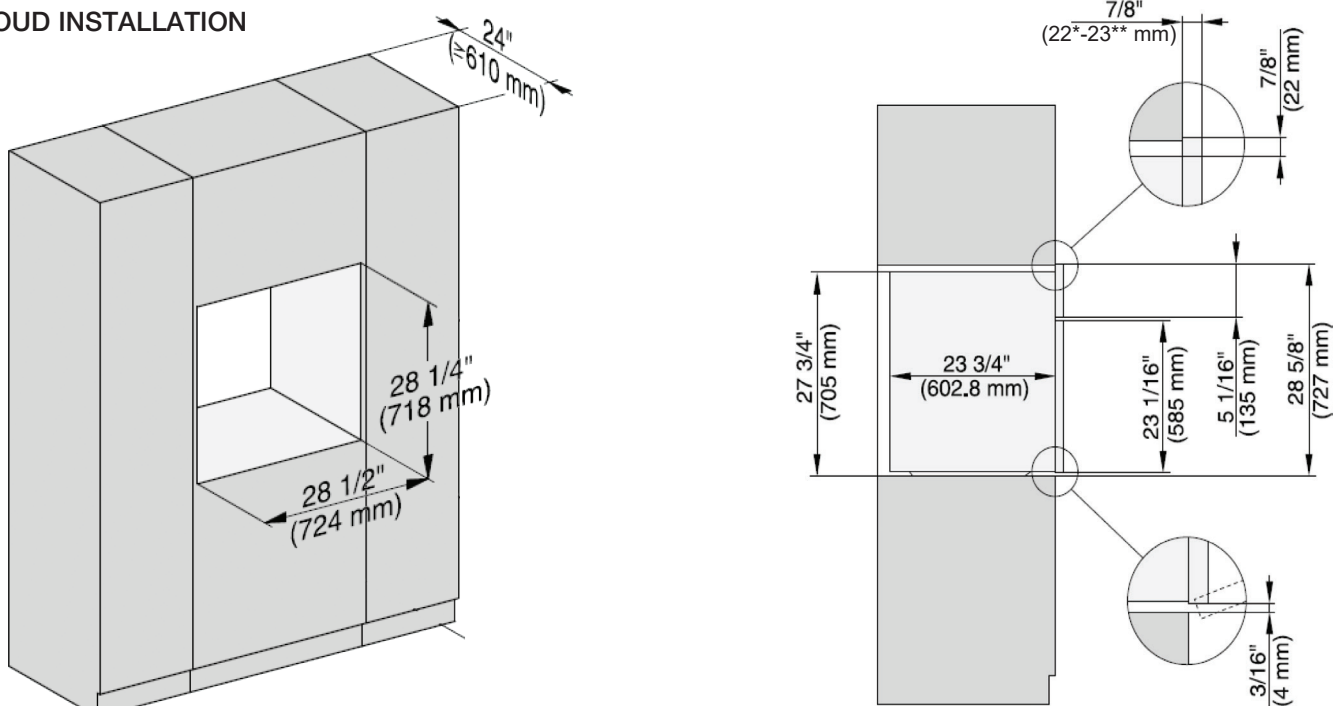


A - Cut-out (4" x 28" / 100 mm x 720 mm) in the bottom of the cabinet for power cord and ventilation

- ⓘ - Electrical and water supplies are recommended to be placed in adjacent cabinetry.
Additional cabinet depth is required when placing the electrical and water supplies behind the appliance.

E = Electric connection W = Water connection

PROUD INSTALLATION



* Oven with glass
** Oven with metal

K 2802 Vi

F 2812 Vi

Fully Integrated
30" MasterCool

SPECIFICATIONS			
Overall Unit Dimensions	29 ³ / ₄ " (756 mm) W x 83 ³ / ₄ " - 85 ³ / ₁₆ " (2127 - 2164 mm) H x 24" (610 mm) D [Depth does not include door panel]		
Niche			
Minimum Cabinet Niche Opening	30" (762 mm) W* x 84" - 85 ³ / ₁₆ " (2134 - 2164 mm) H x 24 ³ / ₄ " (629 mm) D		
Electrical	K 28x2 Vi	F 28x2 Vi	KF 28x2 Vi
Electrical Requirements	110V / 120V, 60Hz, 15 Amps In the case of side-by-side installations, a separate outlet must be used for each appliance.		
Power Cord	NEMA 5-15 plug, 5 ft (1.52 m)		
Plumbing	K 28x2 Vi	F 28x2 Vi	KF 28x2 Vi
Water Supply Requirements	-	Connect to a cold water supply only. Do not connect to a low-mineral or a reverse osmosis system. Must be connected to a shut-off valve. The water shut-off valve must be accessible after installation. The water pressure must be between 29 psi (2 bar) and 116 psi (8 bar). If the pressure is higher than 120 psi (8.3 bar), a pressure reducing valve must be installed.	
Water Connection Line	-	Standard 1/4" O.D flexible water line. The maximum outer diameter of the water pipe (without fittings): 3/8" (10 mm). Water line is not included.	
Shipping	K 28x2 Vi	F 28x2 Vi	KF 28x2 Vi
Shipping Weight	395 lbs (179 kg)	399 lbs (181 kg)	450 lbs (204 kg)
Shipping Dimensions	33 ⁵ / ₈ " (950 mm) W x 89 ¹³ / ₁₆ " (1,294 mm) H x 29 ¹ / ₄ " (800 mm) D		

Please note the following:

- This specification sheet is for a single built-in unit.
- When combining multiple MasterCool units side-by-side, please refer to the Merging Kit specification sheet.

*If design calls for a partition less than 6 ⁵/₁₆" (160 mm) the left unit's cutout will require an additional ¹/₈" (3 mm) to the width to allow installation of the Heating Mat/Merge Kit.



K 2802 Vi (Right Hinged)
Material# 11502590

K 2812 Vi (Left Hinged)
Material# 11502640



F 2802 Vi (Right Hinged)
Material# 11503330

F 2812 Vi (Left Hinged)
Material# 11503340



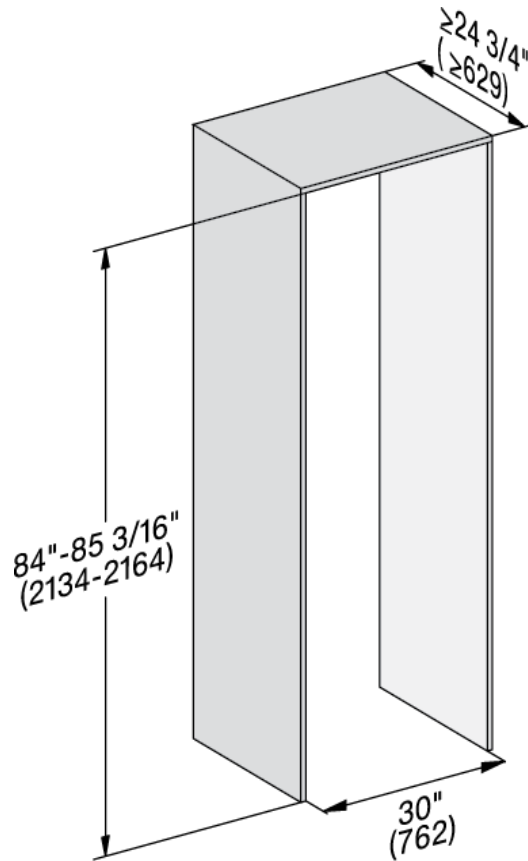
KF 2802 Vi (Right Hinged)
Material# 11502850

KF 2812 Vi (Left Hinged)
Material# 11502870

Fully Integrated 30" MasterCool

CUTOUT DIMENSIONS

- Niche depth assumes a 3/4" (19 mm) panel, please adjust according to custom panel thickness

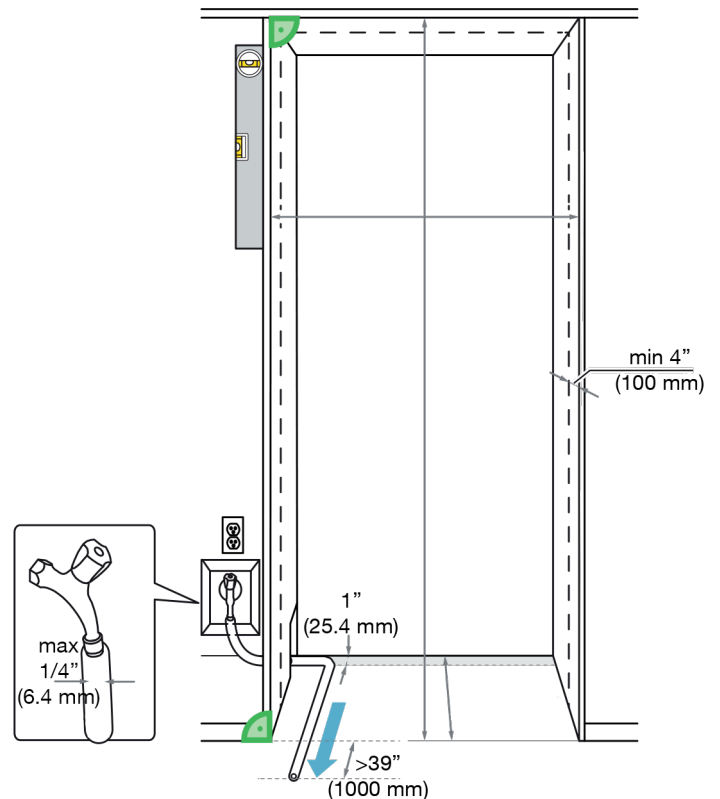


CUTOUT DETAILS

- The electrical connection must not be positioned higher than 9" (228.6 mm) above the floor.
- The 1/4" (6.4 mm) plumbed water connection should not be positioned higher than 2" (50.8 mm) above the floor.

Notes:

In case of an emergency the electrical outlet must be easily accessible and must not be concealed behind the appliance.

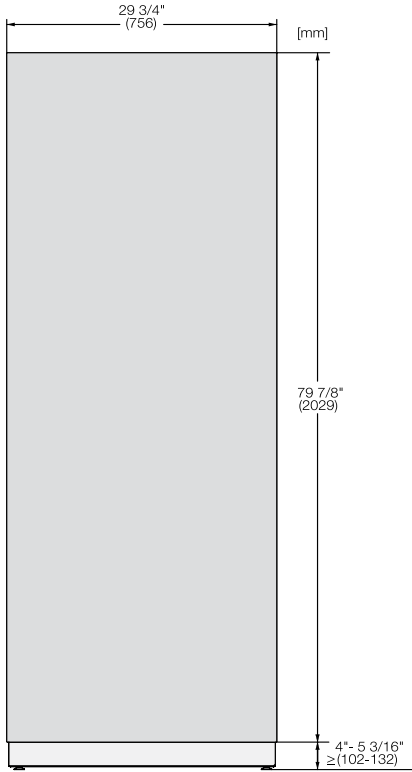


Fully Integrated 30" MasterCool

CUSTOM PANEL INSTALLATIONS

For Models:

- F 2802 Vi • F 2812 Vi
- K 2802 Vi • K 2812 Vi

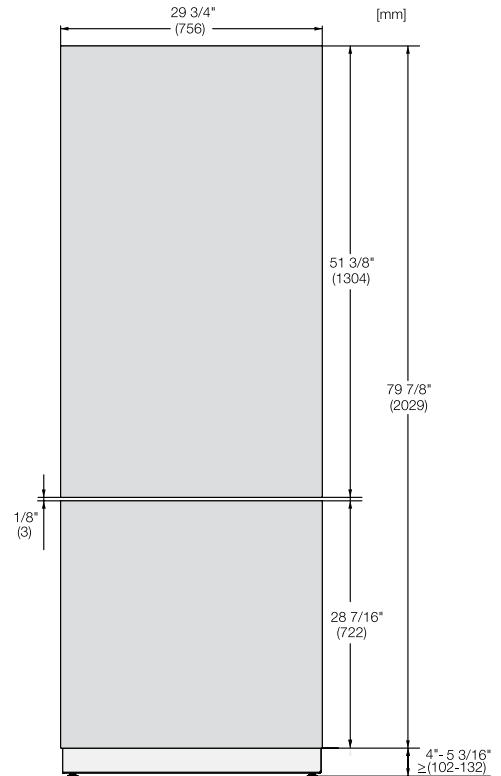


Max. Panel Weight:
F 28x2 Vi - 77 lbs
K 28x2 Vi - 106 lbs

Optional Accessory:
Clean Touch Steel Panel:
• KFP 3005
Material# 11499080

For Models:

- KF 2802 Vi • KF 2812 Vi

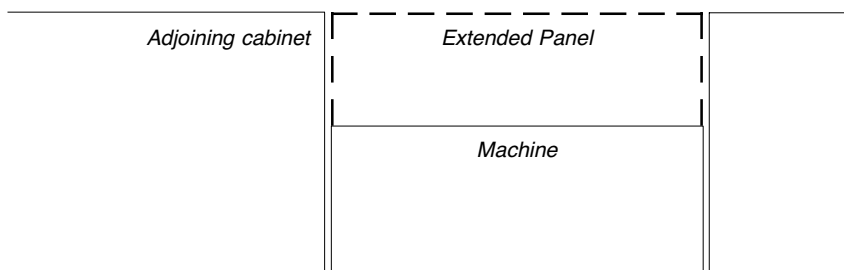


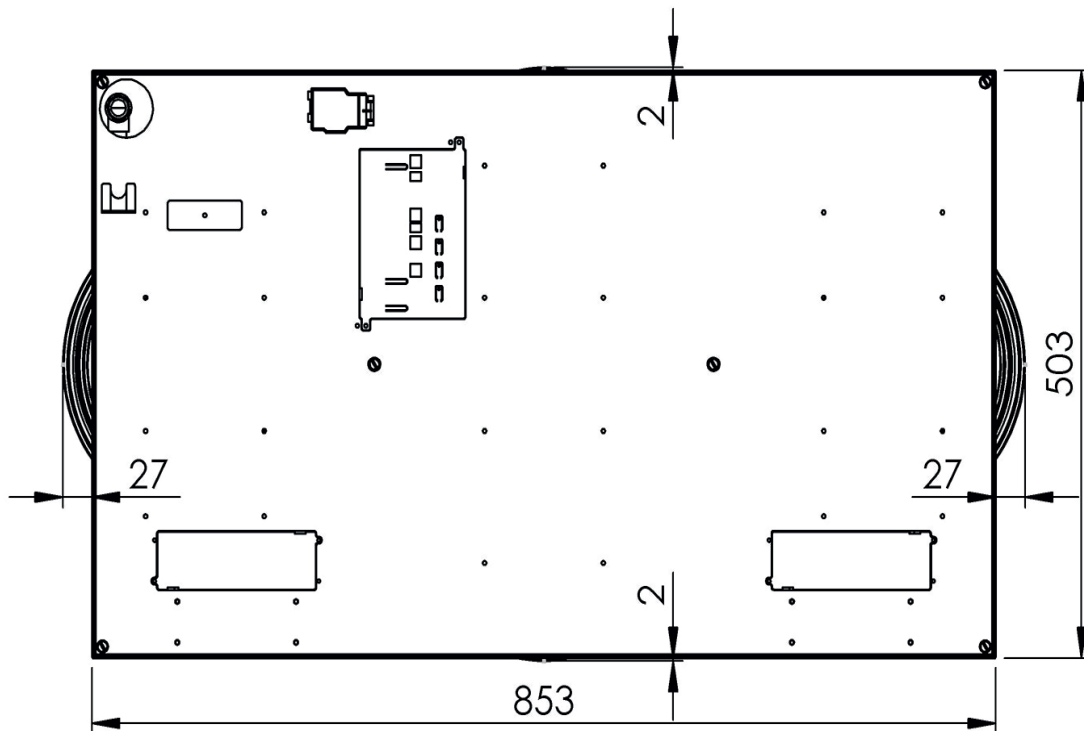
Max. Top Panel Weight: 99 lbs
Max. Bottom Panel Weight: 39 lbs

Optional Accessory:
Clean Touch Steel Panel:
• KFP 3015 - Top Panel
Material# 11499120
• KFP 3025 - Bottom Panel
Material# 11499130

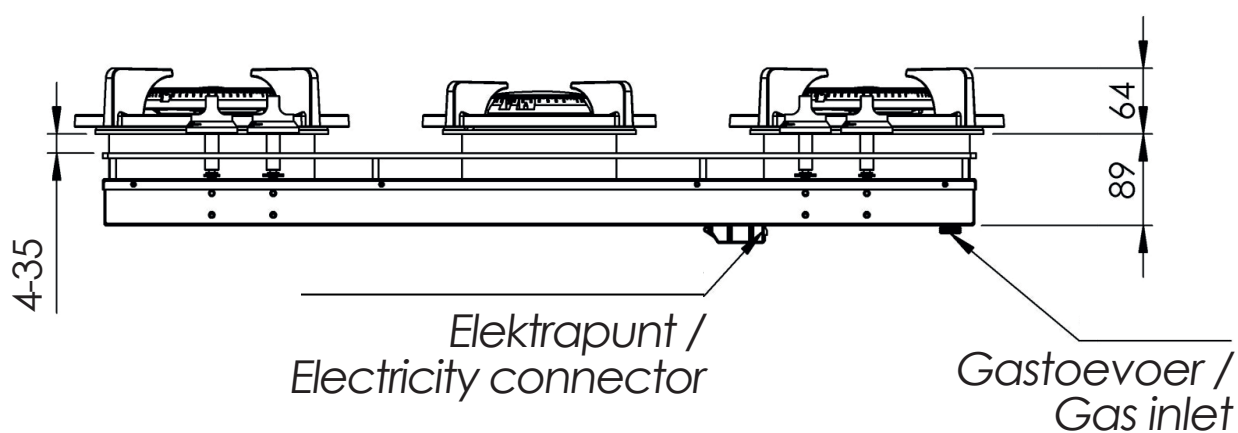
Panel Notes

If the adjoining cabinets are taller than the height of machine (HOM) - the front panel may be extended accordingly. Simply maintain the toe-kick height and extend the panel the needed distance.

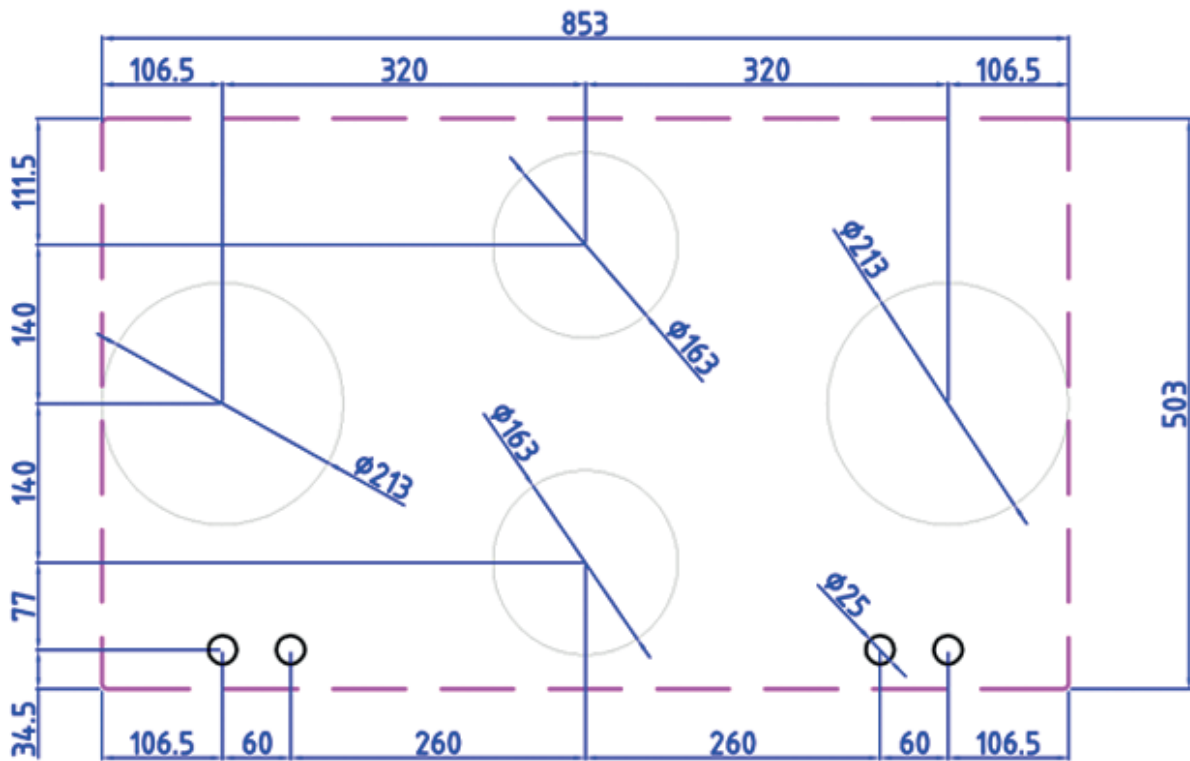




Achteraanzicht / View from back



Vooraanzicht / View from front



Gatenpatroon / Hole pattern

Gatenpatroon in DXF te downloaden via pittcooking.com
Hole pattern in DXF can be downloaded via pittcooking.com

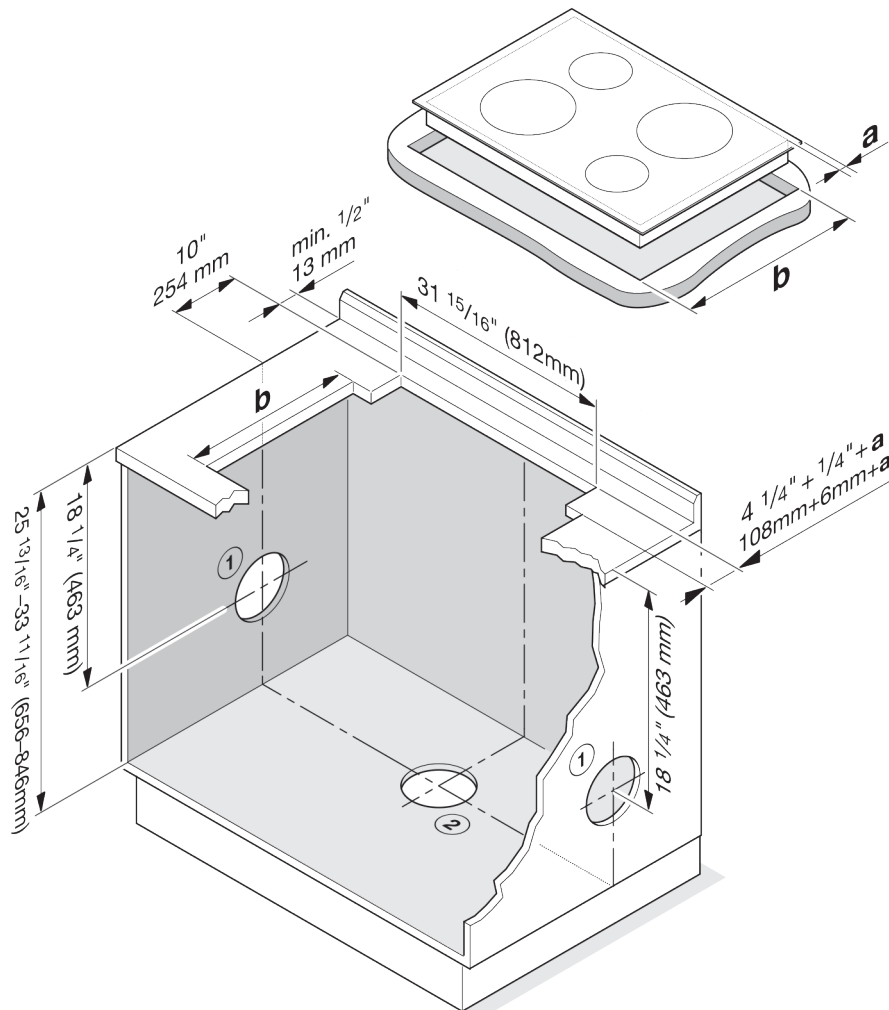
36" Downdraft Hood Proud Installation

OPTION 1

ONE CUTOUT INSTALLATION SPECIFICATIONS

Cutout Dimensions for One (1) Cutout

- Proud Mount Installation



Exhaust or recirculation mode with DAG 600 blower installed at the front of the downdraft. Exhaust ducting (\varnothing 6" (150 mm))

- ① Exhaust ducting to the right or left.
- ② Exhaust ducting downwards.
- a) Overhang of the cooktop
- b) Cooktop cutout
- ③ If the downdraft and cooktop are installed in separate cutouts, ensure adequate stability of the strip in between.

If the blower is to be installed at the back of the downdraft, ensure that there is adequate space for installation.

36" Downdraft Hood Proud Installation

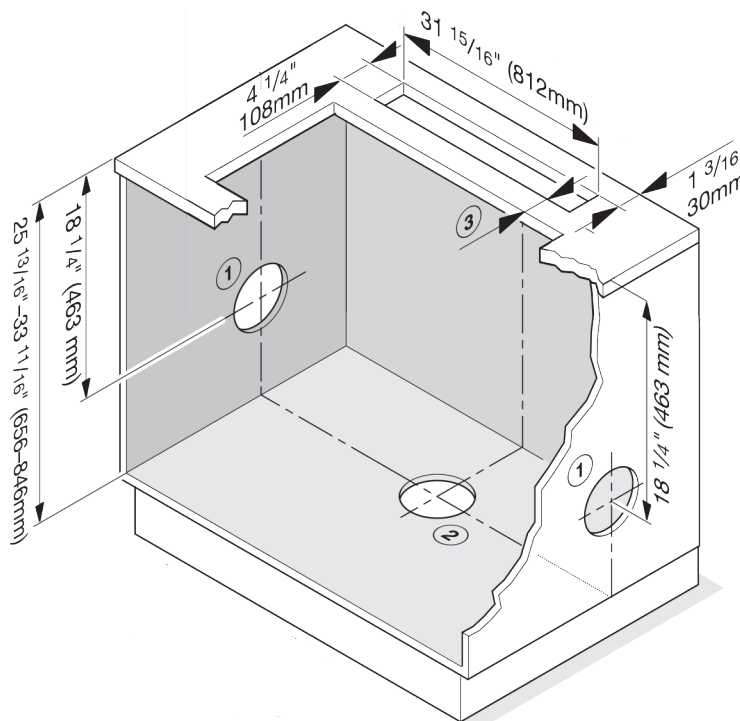
OPTION 2

TWO CUTOUT INSTALLATION SPECIFICATIONS

Cutout Dimensions for Two (2) Cutout

- Proud Mount Installation

- Allows for Installation with Proud Mounted Downdraft in Combination with Flush or Proud Mounted Combisets and Cooktops



Exhaust or recirculation mode with DAG 600 blower installed at the front of the downdraft. Exhaust ducting (Ø 6" (150 mm))

- ① Exhaust ducting to the right or left.
- ② Exhaust ducting downwards.
 - a) Overhang of the cooktop
 - b) Cooktop cutout
- ③ If the downdraft and cooktop are installed in separate cutouts, ensure adequate stability of the strip in between.

If the blower is to be installed at the back of the downdraft, ensure that there is adequate space for installation.

G 7591 SCVi

24" Fully Integrated Dishwasher, K2o (ADA)

Features:

- AutoDos - an integrated automatic detergent dispensing system
- DirectSensor Controls - intuitive touch controls
- QuickIntenseWash - a full wash and dry cycle in 58 minutes
- 40 dBa (38 dBa when using ExtraQuiet)
- 3D MultiFlex Cutlery Tray
- WifiConn@ct
- Panel-Ready
- Knock2Open
- Water Softener
- ADA Compliant
- EnergyStar

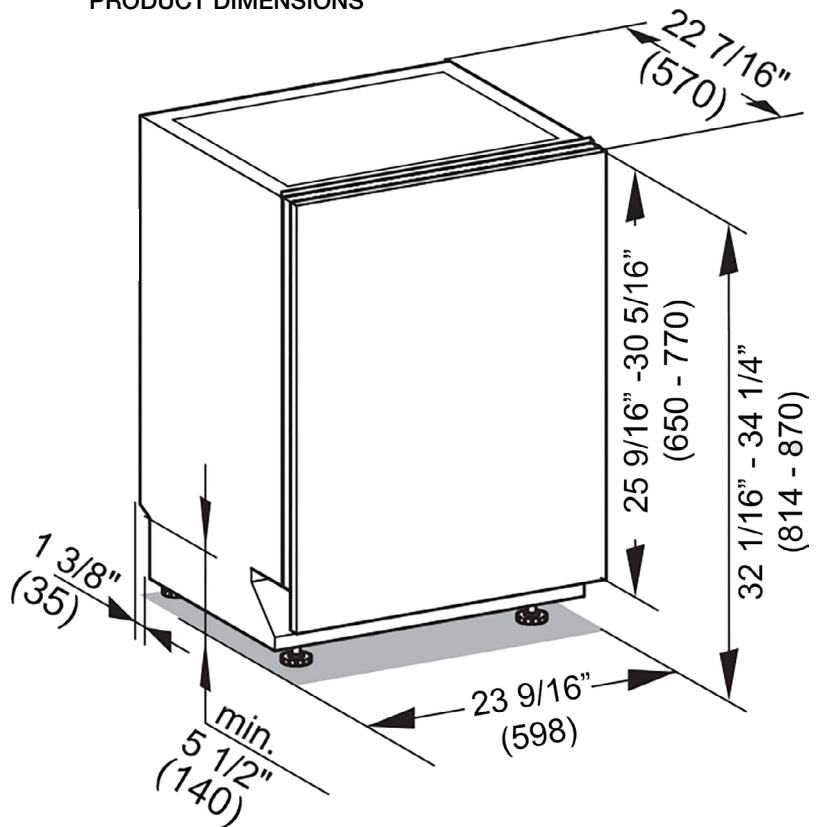
MATERIAL

11388260

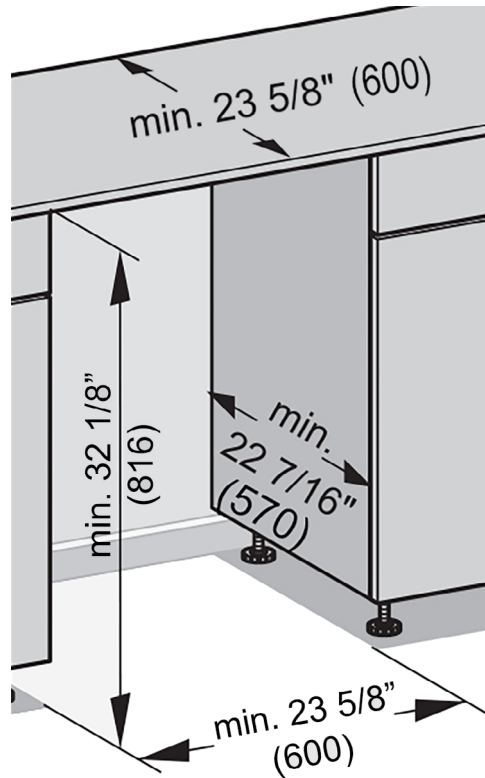


SPECIFICATIONS	
Overall Unit Dimensions	23 ⁹ / ₁₆ " (598 mm) W x 32 ¹ / ₁₆ " - 34 ¹ / ₄ " (814 - 870 mm) H x 22 ⁷ / ₁₆ " (570 mm) D [Depth does not include door panel]
Niche	
Minimum Cabinet Niche Opening	23 ⁵ / ₈ " (600 mm) W x 32 ¹ / ₈ " (814 mm) H x 22 ⁷ / ₁₆ " (570 mm) D
Plumbing	
Water Supply Requirements	<ul style="list-style-type: none"> • Cold or Hot (max 150°F/65°C) water connection • Male 3/8" compression fitting • Water pressure range 7.25 psi (0.5 bar) and 145 psi (10 bar)
Water Connection Line (Supplied)	Length: 5 ft (1.5 m) Female 3/8" compression.
Drain Hose (Supplied)	Length: 5 ft (1.5 m) 7/8" (22 mm) internal diameter
Electrical	
Electrical Requirements	110V / 120V, 60Hz, 15 Amps
Power Cord (Convertible to hardwire)	NEMA 5-15 plug, 5 ft (1.52 m)
Shipping	
Shipping Weight	121 lbs (55 kg)
Shipping Dimensions	27 ¹ / ₈ " W x 38 ¹ / ₈ " H x 26 ³ / ₈ " D

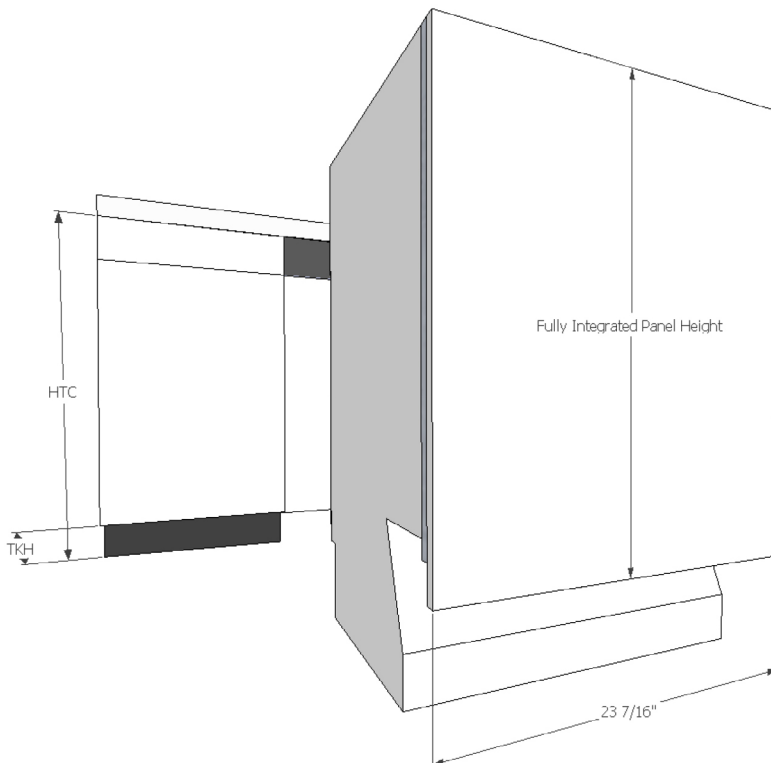
PRODUCT DIMENSIONS



CUTOUT DIMENSIONS



CUSTOM PANEL



- Width:** 23 7/16" (598 mm) in all cases
- Thickness:** 3/4" (19 mm) in all cases
- Height:** Determined using the following calculation:
Panel Height = HTC – TKH

HTC = Height to the underside of countertop

TKH = Toe kick height

Note: Control panel is along the top edge of the unit. It is not visible when the unit is closed. A handle **MUST** be located on the front panel in order to open the unit.

Maximum panel height: 30 3/8" (772 mm)

Minimum panel height: 25 5/8" (650 mm)

Maximum panel weight: 26 lbs (12 kg)