

# Café™ ENERGY STAR® 27.8 Cu. Ft. 4- Door French-Door Refrigerator

CVE28DP4NW2 / CVE28DP2NS1 / CVE28DP3ND1

# C A F É

DISTINCT BY DESIGN™



CVE28DP4NW2  
Matte White with  
Brushed Bronze handles

#### ALSO AVAILABLE IN



CVE28DP2NS1  
Stainless Steel  
with Brushed  
Stainless handles



CVE28DP3ND1  
Matte Black  
with Brushed  
Stainless handles



## FEATURES & BENEFITS

Enjoy the flexibility of a **Convertible Drawer with Soft Freeze** with settings as low as 23 degrees or as high as 42 degrees, and keep items organized with sliding glass dividers

Relish the bright, uniform light of an **LED light wall** that spans the back wall of the refrigerator, illuminating the fresh food section so every item is easy to find

Effortlessly fill containers with filtered water by simply pressing the **AutoFill** button which uses sensors to dispense the perfect amount every time

A **Humidity Control System** provides an environment for leafy green vegetables to last 2-1/2 times longer than standard vegetable drawers. (\*Based on internal testing vs. similar size vegetable drawers with humidity controls from a leading competitor.)

Easily pull out a slim, **full-width tray** to accommodate gourmet pizzas and other frozen, uniquely shaped items

Receive alerts on your smart device whenever your refrigerator's internal temperature dips below normal, thanks to **built-in WiFi connectivity** that helps you keep foods party-platter ready

From produce to packaged goods, keep any food fresh with **TwinChill™ evaporators** that create separate climates in the fresh food and freezer sections

Spend more time filling and less time fumbling thanks to the **Integrated Dispenser Design**, which senses your proximity and automatically illuminates, so you never have to compromise on function and fashion

## APPEARANCE

Exterior design	Bowed flat top
Handle	Café™
Handle design	Café Pro
Hidden door hinge(s)	Yes

## FEATURES

Configuration	French-door & Double drawer
WiFi connect	Built-in
Connected capabilities	Amazon Alexa; The Google Assistant; IFTTT
Temperature management features	Multiflow air system
Temperature management system	TwinChill™ evaporators
Defrost type	Frost Guard
Control type	Electronic temperature controls
Dispenser	Large stainless steel; Cubes, crushed ice and chilled water
Dispenser features	Hands-free AutoFill; Door alarm; LED dispenser light; Water filter indicator light
Icemaker	Space saving ice
Water filtration	GE water filtration 6 month; XWF; Water filter indicator light
Filter location	Left wall
Fresh food cabinet drawers	2 total; 2 adjustable humidity drawers
Fresh food cabinet shelves	4 glass split; 1 Quick Space shelf
Fresh food door bins	6 total; 2 with gallon storage; 1 adjustable
Fresh food door features	Dairy compartment
Fresh food features	LED light wall; Deli pan
Freezer door bins	3 (2 adjustable tilt-out)
Freezer storage baskets	2 full-width
Freezer features	Interior lighting - LED; Freezer drawer with full-extension slides
Exterior style	Free-standing
Leveling system	2 point front adjustable
Performance features	Easily removable door gaskets; Sabbath Mode capable
Center drawer features	Convertible drawer; 6 temperature settings (Soft Freeze, Meats, Beverages, Snacks, Wine, Lock); 2 Tuck Away glass dividers; Full-extension slides

## CAPACITY

Total capacity (cubic feet)	27.8 cu. ft.
Fresh food capacity	15.62 cu. ft.
Freezer capacity	8.57 cu. ft.
Convertible drawer capacity	3.62 cu. ft.

## WEIGHTS & DIMENSIONS

Overall depth	36-3/4 in. (933mm)
Overall height	69-7/8 in. (1775mm)
Overall width	35-5/8 in. (905mm)
Case depth without door	29-3/8 in. (746mm)
Depth with door open 90°	48-3/8 in.
Depth without handle	34-1/4 in.
Height to top of hinge	69-3/4 in.
Height to top of case	68-5/8 in.
Width w/door open 90 degrees incl. handle	44-7/8 in.
Back air clearances	2 in. (50mm)
Side air clearances	1/8 in. (3mm)
Top air clearances	1 in. (25mm)
Approximate shipping weight	408 lb.
Net weight	375 lb.

# Café™ ENERGY STAR® 27.8 Cu. Ft. 4- Door French-Door Refrigerator

CVE28DP4NW2 / CVE28DP2NS1 / CVE28DP3ND1

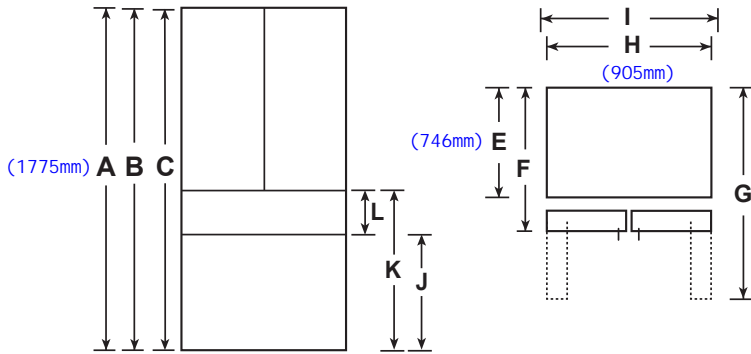
# CAFÉ

DISTINCT BY DESIGN™

## WARRANTY

Parts warranty	Limited 1-year entire appliance; Limited 5-year sealed refrigerating system
Labor warranty	Limited 1-year entire appliance; Limited 5-year sealed refrigerating system
Warranty notes	See written warranty for full details

## DIMENSIONS

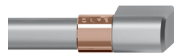


Overall Dimensions		
A - Overall Height to top of door (in)		69 7/8
B - Height to top of hinge cover (in)		69 3/4
C - Height to top of case (in)		68 5/8
D - Hinge Cover Depth from Case Flange (in)		6
E - Case Depth without door (in)		29 3/8
F - Case Depth without Door Handle (in)		34 1/4
G - Depth with FF Door open 90 deg (in)		48 3/8
H - Case Width (in)		35 5/8
I - Width with door open 90 deg including handle (in)		44 7/8
J - Top endcap of FZ drawer to floor (in)		24 1/2
K - Top endcap of Middle drawer to floor (in)		33 1/2
L - End cap to End cap height of middle drawer (in)		8 5/8

## ADDITIONAL ACCESSORIES



CXQB4H4PNBZ  
Brushed Bronze  
4 handles  
(Standard on Matte White)



CXQB4H4PNSS  
Brushed Stainless  
4 handles  
(Standard on Matte Black and Stainless Steel)



CXQB4H4PNBT  
Brushed Black  
4 handles



CXQB4H4PNCU  
Brushed Copper  
4 handles



CXQB4H4PNCG  
Brushed Brass  
4 handles



CXQB4H4PNFB  
Flat Black  
4 handles

# Café™ 30" Slide-In Front Control Gas Convection Range

CGS700P4MW2 / CGS700P3MD1 / CGS700P2MS1

# CAFÉ

DISTINCT BY DESIGN™



ALSO AVAILABLE IN



CGS700P2MS1  
Stainless Steel with Brushed Stainless handles and knobs



CGS700P4MW2  
Matte White with Brushed Bronze handles and knobs



## FEATURES & BENEFITS

**Expansive six-burner cooktop helps you entertain with ease** – Entertaining for large groups is easy with the industry's first six-burner, edge-to-edge cooktop that can accommodate cookware of all sizes and a cast-iron integrated griddle that provides enough room to perfectly flip crab cakes, arepas and other crowd favorites.

**Share favorite creations with your favorite people** – Create an unforgettable dinner, using a 21K tri-ring burner to do everything from searing scallops to simmering a lemon caper white wine sauce and a 15K Power Boil™ burner to boil water quickly for al dente angel hair pasta.

**The perfect bake is now perfectly easy** – Achieve unrivaled performance with a system that delivers true convection for consistent results on special occasion favorites like roasts, chicken, turkey and more.

**An attractive appearance at all times** – Every detail of your kitchen is designed to delight, thanks to a sleek backlit glass touch-control panel that visually disappears when not in use and wakes up when prompted.

**Create a look that matches your personal style** – Select any combination of premium finishes and hardware options to create a stunning look customized to any owner's taste.

**Never-scrub racks** – Easily remove everything from heavy roasts to delicate desserts with never-scrub racks that stay in the oven during the self-clean cycle.

**Allow your appliances to interact with one another** – Create a chef-like experience with Chef Connect, which can synchronize your appliance clocks and surface lights and vent when a range burner is in use, and even your microwave and range clocks.

**Prepare foods to perfect doneness** – Get roasts and meats just right with a temperature probe that lets you monitor progress without opening the oven door.

## WIFI-ENABLED FEATURES

**Built-In WiFi, Powered by SmarthQ™ App** – Manage all aspects of your kitchen with the help of the SmarthQ™ App or your voice assistant.

**Personalized Features + Upgrades** – Usher in the latest features by downloading cooking upgrades right to your oven, putting Air Fry and more in your repertoire.

**No-Preheat Air Fry** – Cook healthier, crispier versions of your favorite foods in less time, thanks to an air fryer right in your oven that doesn't require preheating, a basket or a special tray.

## APPEARANCE

Cooktop Burner Grate Color	Matte Black
Oven Door Features	Big Clear View Oven Window Matte Black Frameless Oven Door
Handle	Professional Style Customizable Consumer Removable
Handle Design	Café
Control Knobs	Weighted Stainless Steel Appearance

## FEATURES

Configuration	Range with Storage Drawer
Cooking System	True Convection
Cooking Technology	Convection Self-Clean with Steam Clean Option
Oven Cleaning Type	Self-Clean with Steam Clean Option
Burner - Left Front	21,000 BTU Tri-ring Burner
Burner - Left Rear	5,000 BTU Precise Simmer
Burner - Right Front	15,000 BTU
Burner - Right Rear	12,000 BTU
Burner - Center	9,500 BTU Front / 9,500 BTU Rear
Cooktop Burner Type	Sealed
Cooktop Surface	Deep Recessed Porcelain-Enamel Gray
Dishwasher-Safe Knobs	Yes
Control Location	Front controls
Control Type	Backlit Glass Touch
Valves (Degree of Turn)	270
WiFi Enabled Features	No-Preheat Air Fry Remote Control Remote Notifications Scan-to-Cook (Oven) Timers (App) Clock Sync Voice Assistants (Google and Alexa)
Oven Control Features	Audible Preheat Signal Automatic Oven Timer (Time Bake) Auto Oven Shut-Off Auto Self Clean Sabbath Mode Chef Connect Control Lock Capability Delay Bake Option (Time Bake) Delay Clean Option Digipad Numeric Entry Electronic Clock and Timer Front Controls In-Oven Broiling Temperature Probe Self-Clean Cool Down Time Display
Oven Cooking Modes	Baked Goods Convection Bake Convection Roast Frozen Pizza Multi Rack Frozen Pizza Single Rack (No Preheat) Frozen Snacks Multi Rack Frozen Snacks Single Rack (No Preheat) Proof Warming
Cooktop Burner Grate Features	Heavy-Cast Edge-to-Edge Grates
Cooktop Burner Grate Material	Cast Iron
Cleaning Time	Variable with Delay Clean Option
Self-Clean Oven Door Lock	Automatic
Oven Rack Features	3 Self-Clean Oven Racks 6 Rack Positions
Fuel Type	Natural Gas (factory set)
Ignition System	Electronic
Leveling System	4 Leveling Legs
Style	Commercial
Oven Interior	1 Oven Interior Light Black
Connected Capabilities	Amazon Alexa The Google Assistant IFTTT Nest Drop Innit DiGiorno

## CAPACITY

Total Capacity (cubic feet)	5.6 cu ft
-----------------------------	-----------

# Café™ 30" Slide-In Front Control Gas Convection Range

CGS700P4MW2 / CGS700P3MD1 / CGS700P2MS1

# CAFÉ

DISTINCT BY DESIGN™

## WEIGHTS & DIMENSIONS

Depth with Door Open	47-1/2 in
Approximate Shipping Weight	244 lb
Net Weight	224 lb
Height to Top of Rear Vent Trim	37-3/8 in
Overall Height	37-3/8 in
Height to Cooking Surface (in.)	36-1/4 +/- 1/4
Overall Width	29-7/8 in
Cabinet Width	30 in
Overall Depth	29-1/2 in
Depth Without Handle	26-7/8 in
Oven Interior Dimensions (W x H x D) (in.)	24 x 19-1/2 x 20-5/8

## POWER / RATINGS

Convection Wattage	1200W
Top Burner BTU Rating - LP (000's BTUs)	(1) 18.0 Tri-Ring; (1) 15.0; (1) 12.0 (2) 9.5; (1) 5.0
Top Burner BTU Rating - Nat. Gas (000's BTUs)	(1) 21.0 Tri-Ring; (1) 15.0; (1) 12.0 (2) 9.5; (1) 5.0
Volts/Hertz/Amps	120v; 60Hz; 15A
Bake/Broiler BTU Rating - LP (000's BTUs)	16.0 Bake / 13.5 Broiler
Bake/Broiler BTU Rating - Nat. Gas (000's BTUs)	16.0 Bake / 16.5 Broiler

## WARRANTY

Parts warranty	Limited 1-year entire appliance
Labor warranty	Limited 1-year entire appliance

## ACCESSORIES

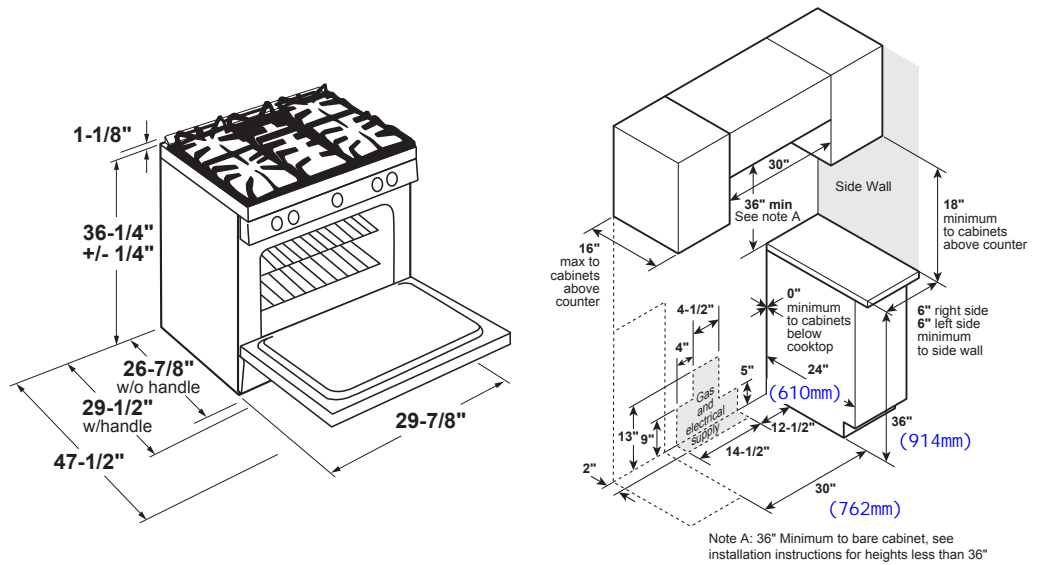
Grates	Included Center Grate
Grill	Optional Integrated Cast Iron JXCGRILL1
LP Conversion Kit	Included
Trim Kit	Optional JXFILLR1DD; JXFILLR1SS
Griddle	Included Integrated Cast Iron

## DIMENSIONS AND INSTALLATION

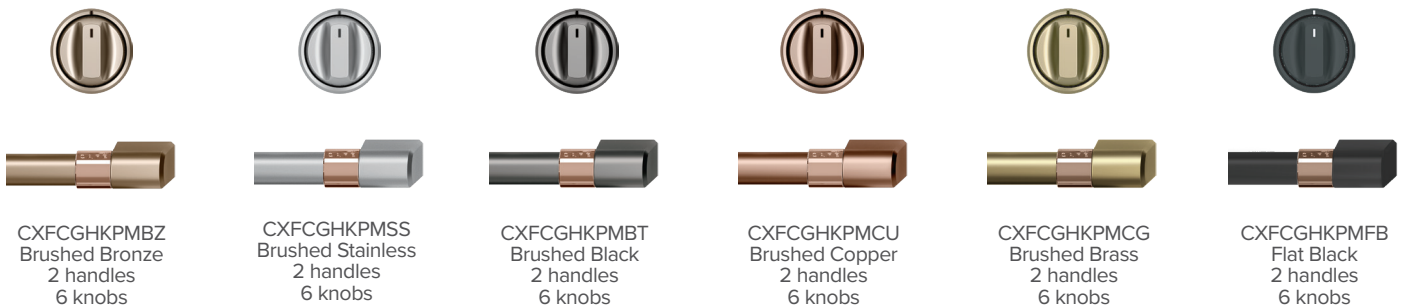
**Electrical Requirements:** 120v, 60Hz, 15A

**Installation information:** Before installing, consult installation instructions packed with product for current dimensional data.

For all installations, install the required rear trim to back of range with 4 screws provided.



## ADDITIONAL ACCESSORIES



## H 7640 BM

### 24" Speed Oven - VitroLine

#### Features:

- Speed ovens combine the functionality of a microwave and compact convection oven into one appliance
- M-Touch S Display - Simple to use touch controls
- WifiConn@ct - Monitor appliances from your mobile device
- Motion React - Appliance reacts to you when approached
- Roast Probe - Precise temperature control of food
- Automatic programs - easily master new recipes

#### Included:

- 1 Baking and Roasting Rack with Perfect Clean
- 1 Glass Dish

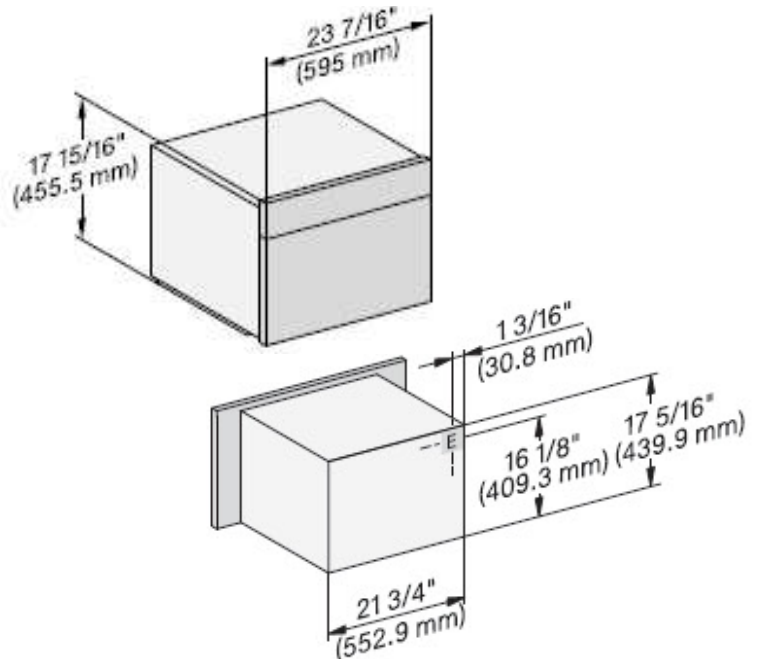


#### MATERIAL #

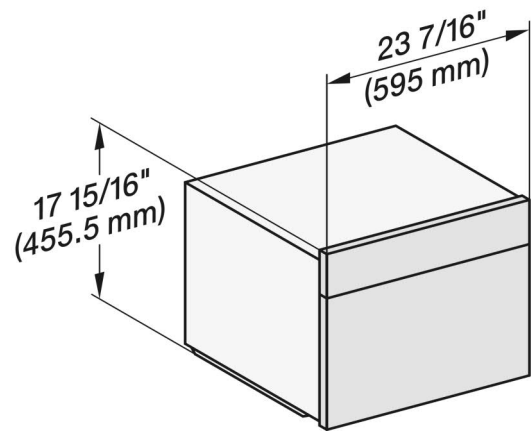
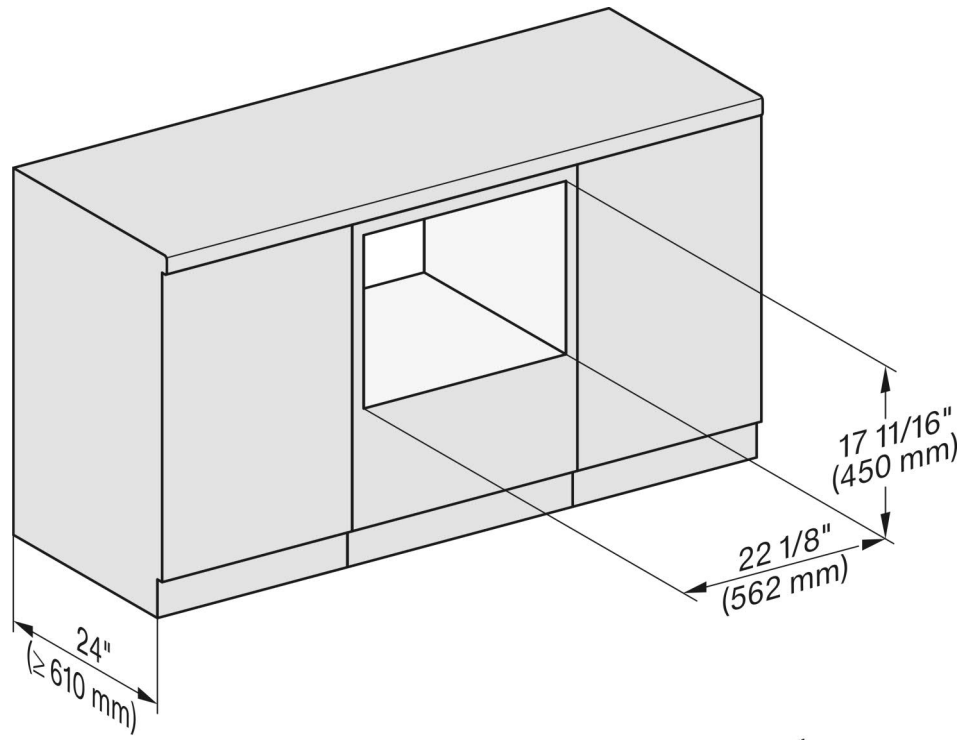
11804600

SPECIFICATIONS	
Overall Unit Dimensions	23 <sup>7</sup> / <sub>16</sub> " (595 mm) W x 17 <sup>15</sup> / <sub>16</sub> " (455.5 mm) H x 21 <sup>5</sup> / <sub>8</sub> " (549 mm) D
Niche	
Minimum Cabinet Niche Opening	22 <sup>1</sup> / <sub>8</sub> " (562 mm) W x 17 <sup>1</sup> / <sub>16</sub> " (450 mm) H x 24" (610 mm) D
Electrical	
Electrical Requirements	120/208-240V, 60Hz, 30 Amps
Power Cord (Convertible to hardwire)	NEMA 14-30 plug, 5 ft (1.52 m)
Shipping	
Shipping Weight	101 lbs (46 kg)
Shipping Dimensions	27 <sup>3</sup> / <sub>8</sub> " (695 mm) W x 23 <sup>5</sup> / <sub>8</sub> " (600 mm) H x 38 <sup>3</sup> / <sub>8</sub> " (975 mm) D

#### PRODUCT DIMENSIONS



E = Electrical connection



## G 7366 SCVi

### 24" Fully Integrated Dishwasher

#### Features:

- AutoDos - an integrated automatic detergent dispensing system
- DirectSensor Controls - intuitive touch controls
- QuickIntenseWash - a full wash and dry cycle in 58 minutes
- 42 dB (40 dBA when using ExtraQuiet)
- 3D MultiFlex Cutlery Tray
- WifiConn@ct
- Panel-Ready
- Water Softener
- EnergyStar

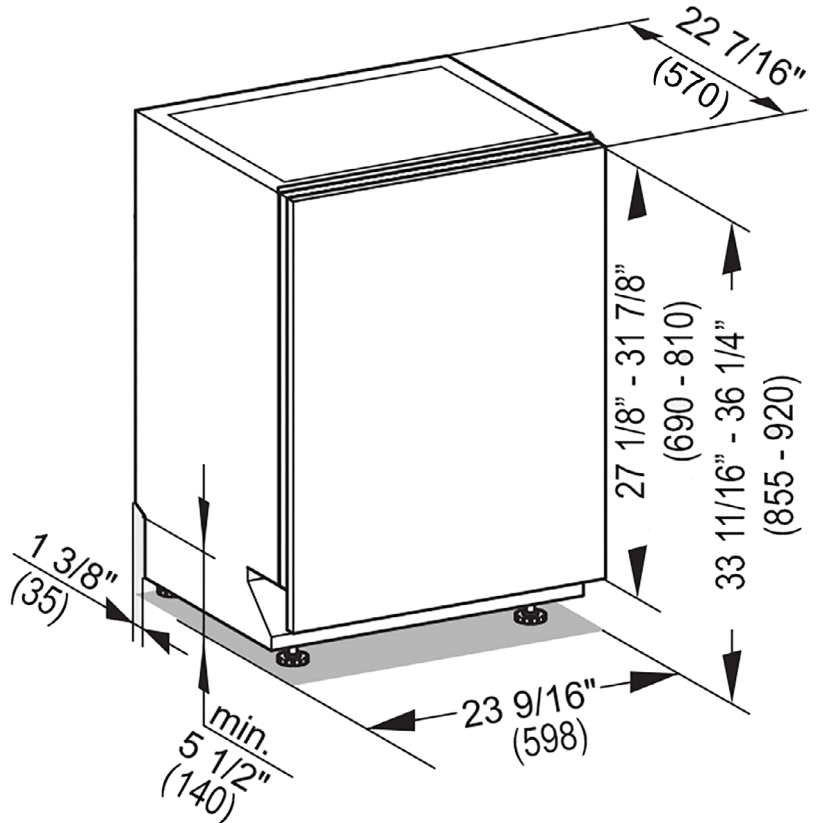
#### MATERIAL #

11388030

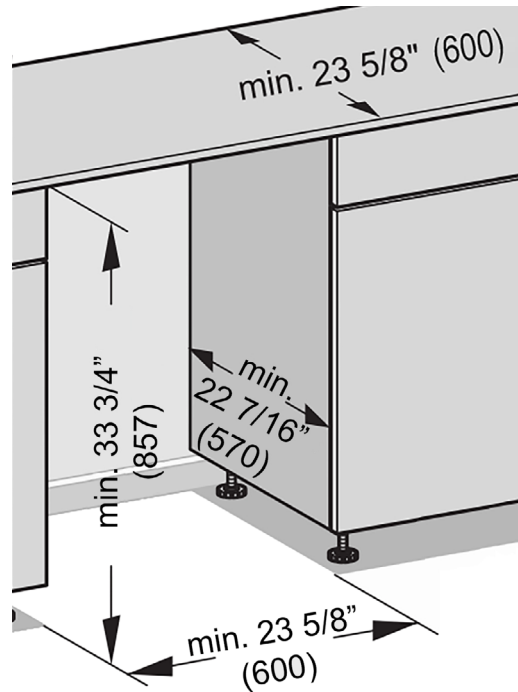


SPECIFICATIONS	
Overall Unit Dimensions	23 <sup>9</sup> / <sub>16</sub> " (598 mm) W x 33 <sup>11</sup> / <sub>16</sub> " - 36 <sup>1</sup> / <sub>4</sub> " (855 - 920 mm) H x 22 <sup>7</sup> / <sub>16</sub> " (570 mm) D [Depth does not include door panel]
<b>Niche</b>	
Minimum Cabinet Niche Opening	23 <sup>5</sup> / <sub>8</sub> " (600 mm) W x 33 <sup>3</sup> / <sub>4</sub> " (857 mm) H x 22 <sup>7</sup> / <sub>16</sub> " (570 mm) D
<b>Plumbing</b>	
Water Supply Requirements	<ul style="list-style-type: none"> <li>• Cold or Hot (max 150°F/65°C) water connection</li> <li>• Male 3/8" compression fitting</li> <li>• Water pressure range 7.25 psi (0.5 bar) and 145 psi (10 bar)</li> </ul>
Water Connection Line (Supplied)	Length: 5 ft (1.5 m) Female 3/8" compression.
Drain Hose (Supplied)	Length: 5 ft (1.5 m) 7/8" (22 mm) internal diameter
<b>Electrical</b>	
Electrical Requirements	110V / 120V, 60Hz, 15 Amps
Power Cord (Convertible to hardwire)	NEMA 5-15 plug, 5 ft (1.52 m)
<b>Shipping</b>	
Shipping Weight	121 lbs (55 kg)
Shipping Dimensions	27 <sup>1</sup> / <sub>8</sub> " W x 38 <sup>1</sup> / <sub>8</sub> " H x 26 <sup>3</sup> / <sub>8</sub> " D

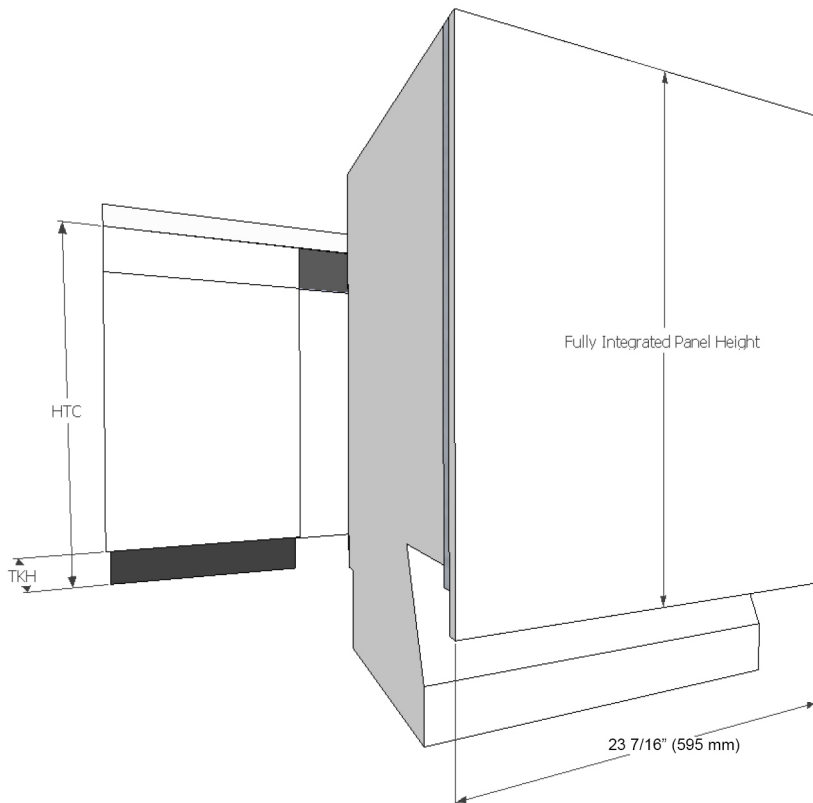
#### PRODUCT DIMENSIONS



## CUTOUT DIMENSIONS



## CUSTOM PANEL



**Width:** 23 7/16" (595 mm) in all Cases  
**Thickness:** 3/4" (19 mm) in all Cases  
**Height:** Determined using the following calculation:

$$\text{Panel Height} = \text{HTC} - \text{TKH}$$

**HTC** = Height to the underside of countertop  
**TKH** = Toe kick height

**Note:** Control panel is along the top edge of the unit. It is not visible when the unit is closed. A handle **MUST** be located on front of panel in order to open unit. (Except K2o models).

Maximum panel height: 31 7/8" (810 mm)

Minimum panel height: 27 1/8" (690 mm)

Maximum panel weight: 26 lbs (12 kg)